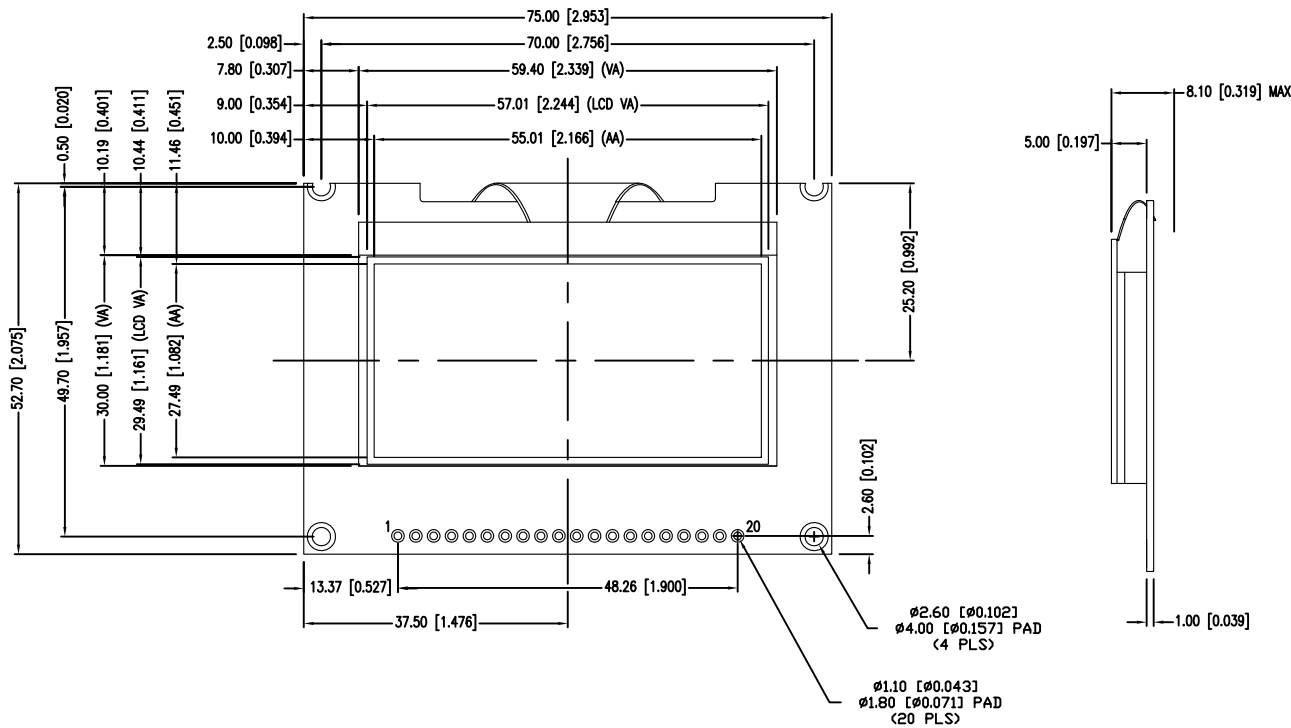
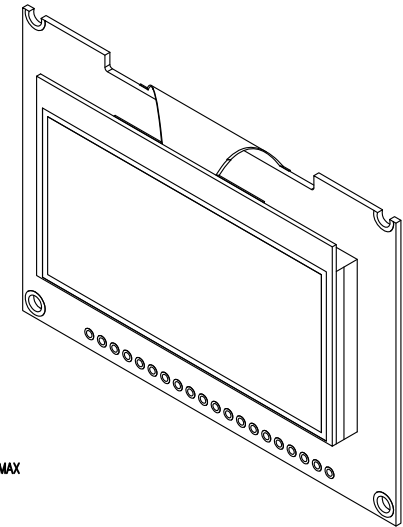


CHARACTER DETAIL
SCALE: 10:1



NOTES:

1. BLACK BACKGROUND.
2. PIXEL COLOR GREEN.
3. MINIMUM VIEWING ANGLE OF 65° FROM 12,3,6,9, 0'CLOCK.
4. WISECHIP SEMI US2066 CONTROLLER.

CAUTION: STATIC SENSITIVE DEVICE
FOLLOW PROPER E.S.D. HANDLING PROCEDURES
WHEN WORKING WITH THIS PART.

*UNLESS OTHERWISE SPECIFIED TOLERANCES PER DECIMAL PRECISION ARE: X=±1 (±0.039), X.X=±0.5 (±0.020), X.XX=±0.25 (±0.010), X.XXX=±0.127 (±0.005). LEAD SIZE=±0.05 (±0.002), LEAD LENGTH=±0.75 (±0.030). MIN= +DECIMAL PRECISION MAX.= +0.00 -DECIMAL PRECISION



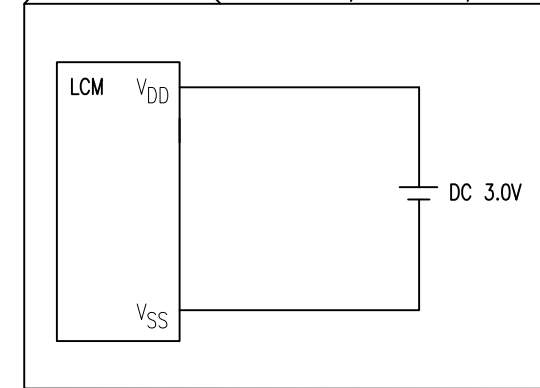
128 X 64 GRAPHIC OLED MODULE, 3.0V, GREEN PIXEL COLOR, W/ BLACK BACKGROUND	
THE SPECIFICATIONS MAY CHANGE AT ANY TIME WITHOUT NOTICE DUE TO NEW MATERIALS OR PRODUCT IMPROVEMENT.	
CONFIDENTIAL INFORMATION THE INFORMATION CONTAINED IN THIS DOCUMENT IS THE PROPERTY OF LUMEX INC. EXCEPT AS SPECIFICALLY AUTHORIZED IN WRITING BY LUMEX INC., THE HOLDER OF THIS DOCUMENT SHALL KEEP ALL INFORMATION CONTAINED HEREIN CONFIDENTIAL AND SHALL PROTECT SAME IN WHOLE OR IN PART FROM DISCLOSURE AND DISSEMINATION TO ALL THIRD PARTIES.	

DATE: 05.22.15	DRAWN BY: MJK
PAGE: 1 OF 2	CHKD BY: --
SCALE: NTS	APRVD BY: --
UNIT: mm [INCH]	Ⓟ

PIN CONFIGURATION

PIN NO.	SYMBOL	LEVEL	DESCRIPTION
1	V _{DD}	3.0V	SUPPLY VOLTAGE FOR LOGIC
2	V _{SS}	0V	SUPPLY VOLTAGE FOR LOGIC GROUND
3	NC	-	-
4	DB0	H/L	DATA BIT 0
5	DB1	H/L	DATA BIT 1
6	DB2	H/L	DATA BIT 2
7	DB3	H/L	DATA BIT 3
8	DB4	H/L	DATA BIT 4
9	DB5	H/L	DATA BIT 5
10	DB6	H/L	DATA BIT 6
11	DB7	H/L	DATA BIT 7
12	CSI	2-0	CHIP SELECTION PIN
13	NC	-	NO CONNECTION
14	/RST	-	HARDWARE RESET PIN
15	R/W	H/L	H:READ (MPU-->MODULE);L:WRITE(MPU-->MODULE)
16	D/I	H/L	H: DATA, L: COMMAND
17	E	H,H >L	CHIP ENABLE SIGNAL
18	V _{CC}	13.0V	SUPPLY VOLTAGE FOR PANEL(POSITIVE VOLTAGE OUTPUT)
19	NC	-	-
20	NC	-	-

BLOCK DIAGRAM 128 X 64, 1/64 DUTY, 1/9 BIAS



ELECTRICAL/OPTO CHARACTERISTICS

V_{DD}=2.8V , V_{CC}=13.0V, 80cd/m², 50% PIXEL ON

ITEM	SYMBOL	CONDITION	STANDARD VALUE			UNIT
			MIN.	TYP.	MAX.	
SUPPLY VOLTAGE FOR LOGIC	V _{DD} -V _{SS}	-	2.8	3.0	3.3	V
SUPPLY VOLTAGE FOR PANEL	V _{CC} -V _{SS}	-	12.5	13.0	13.5	V
INPUT VOLTAGE	HIGH	V _{IH}	0.8V _{DD}	-	V _{DD}	V
	LOW	V _{IL}	0	-	0.2V _{DD}	V
OUTPUT VOLTAGE	HIGH	V _{OH}	0.9V _{DD}	-	V _{DD}	V
	LOW	V _{OL}	0	-	0.1V _{DD}	V
OLED DRIVING CURRENT	I _{DD}	-	-	50	-	mA
VIEW ANGLE			160	-	-	deg
DARK ROOM CONTRAST			-	2000:1	-	-
BRIGHTNESS W/POLARIZER			60	80	-	cd/m ²

*BRIGHTNESS=80cd/m² , T_a=25°C, 60% RH, V_{DD}=5.0V, V_{CC}=12.0V, 100% DISPLAY AREA TURN ON.

ABSOLUTE MAXIMUM RATINGS

ITEM	SYMBOL	TEST CONDITION	STANDARD VALUE		UNIT
			MIN	MAX	
SUPPLY VOLTAGE FOR LOGIC	V _{DD} -V _{SS}	T _a =25°C	2.8	3.3	V
SUPPLY VOLTAGE FOR PANEL	V _{CC} -V _{SS}	T _a =25°C	12.5	13.5	V
HUMIDITY			-	85	%
OPERATING TEMPERATURE*	T _{opr}	-	-40	70	°C
STORAGE TEMPERATURE	T _{stg}	-	-40	85	°C

OPERATING LIFE 40,000 HRS
END OF LIFE IS SPECIFIED AS 50 %OF INITIAL BRIGHTNESS

*UNLESS OTHERWISE SPECIFIED TOLERANCES PER DECIMAL PRECISION ARE: X=±1 (±0.039), X.X=±0.5 (±0.020), X.XX=±0.25 (±0.010), X.XXX=±0.127 (±0.005). LEAD SIZE=±0.05 (±0.002), LEAD LENGTH=±0.75 (±0.030). MIN.= +^{DECIMAL PRECISION} MAX.= +^{DECIMAL PRECISION} -^{DECIMAL PRECISION}



425 N. GARY AVE.
CAROL STREAM, IL 60188-4900
PHONE: +1.800.278.5666
FAX: +1.630.315.2152
WEB: WWW.ITWECS.COM

128 X64 GRAPHIC OLED MODULE, 3.0V, GREEN PIXEL COLOR, W/ BLACK BACKGROUND

THE SPECIFICATIONS MAY CHANGE AT ANY TIME WITHOUT NOTICE DUE TO NEW MATERIALS OR PRODUCT IMPROVEMENT.

CONFIDENTIAL INFORMATION
THE INFORMATION CONTAINED IN THIS DOCUMENT IS THE PROPERTY OF LUMEX INC. EXCEPT AS SPECIFICALLY AUTHORIZED IN WRITING BY LUMEX INC., THE HOLDER OF THIS DOCUMENT SHALL KEEP ALL INFORMATION CONTAINED HEREIN CONFIDENTIAL AND SHALL PROTECT SAME IN WHOLE OR IN PART FROM DISCLOSURE AND DISSEMINATION TO ALL THIRD PARTIES.

DATE:	05-22-15	DRAWN BY:	MJK
PAGE:	2 OF 2	CHKD BY:	--
SCALE:	NTS	APRVD BY:	--
UNIT:	mm [INCH]		