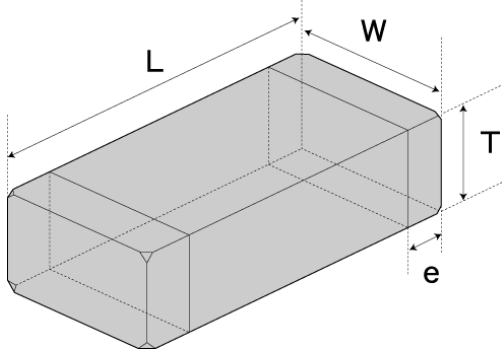


# Spec Sheet

MLCC (High dielectric type) for Industrial / Automotive Comfort and Safety Applications

## LMK325ABJ107MMHT



### ■ Features

- Item Summary  
10V, X5R, 100  $\mu$ F,  $\pm$ 20%, 1210
- Lifecycle Stage  
Mass Production
- AEC-Q200 qualified
- Standard packaging quantity (minimum)  
Taping Embossed 500pcs

### ■ Products characteristics table

CaseSize (EIA/JIS)	1210/3225
Rated Voltage (max)	10V
Capacitance	100 $\mu$ F
Capacitance Tolerance	$\pm$ 20%
Resistance	100 M $\Omega$ $\mu$ F
Dielectric Loss Tangent	10%MAX
Temperature Characteristics (EIA/JIS)	X5R/-
Temperature Range (EIA/JIS)	-55 to +85 $^{\circ}$ C/-
Capacitance Change (EIA/JIS)	$\pm$ 15/-%
RoHS Compliance	Yes
Halogen Free	Yes
Soldering Method	Reflow

### ■ External Dimensions

L	3.2mm $\pm$ 0.30
W	2.5mm $\pm$ 0.30
T	2.5mm $\pm$ 0.30
e	0.6mm $\pm$ 0.3

The data is reference only. Electrical characteristics vary depending on environment or measurement condition.  
TAIYO YUDEN reserves the right to make change to the Date at any time without notice.  
Before making final selection, please check product specification.

2017.05.12