

L-Series Switch

The L-Series rocker switch is an innovative product offering total design flexibility, while at the same time setting new standards for performance and reliability. Its versatile design features include a neatly proportioned size that fits into an industry standard mounting hole of 1.734 x .867 (44.0mm x 22.0mm), countless unique choices for ratings, circuits, colors, illuminations and laser etched legends. These single or double pole switches also feature a broad choice of actuator styles, colors, and lenses with up to twelve terminals offering an extensive range of switch and lamp circuit options, including LED or incandescent illumination. Additionally, an optional plug-in terminal connector enables pre-wiring of wire your harness.

Typical Applications:

- Construction machinery
- Agricultural equipment
- On-highway transportation equipment



Performance Features:

- IP67 certified sealed front panel components
- Withstands temperatures from -40°C to +85°C
- Vibration, shock, thermoshock, moisture and salt spray resistant



Carling Technologies®

Innovative Designs. Powerful Solutions.

Innovative Designs. Powerful Solutions.

Carling Technologies, Inc.
60 Johnson Avenue • Plainville, CT 06062-1177
Phone: (860) 793-9281 • Fax: (860) 793-9231
Email: sales@carlingtech.com • www.carlingtech.com

L-Series Switch

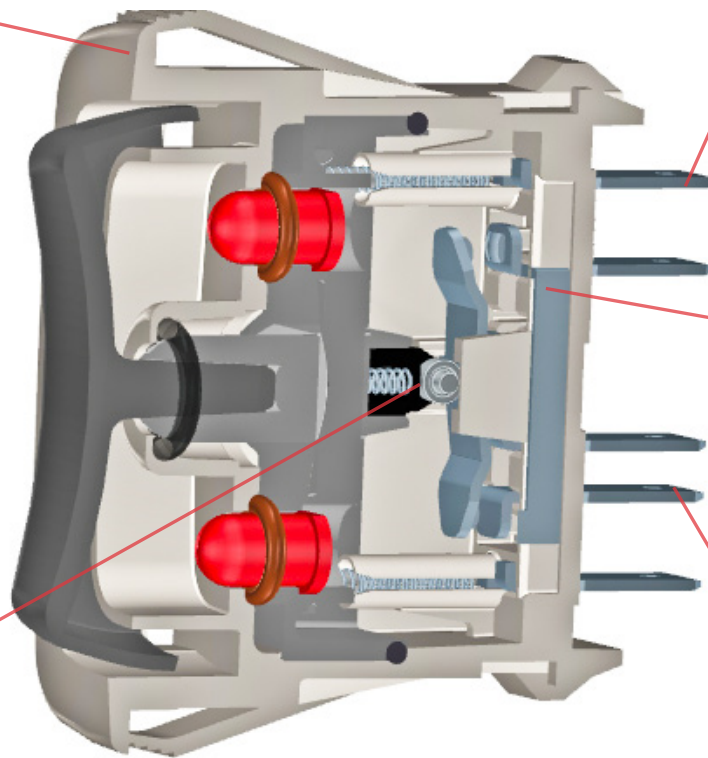
DESIGN FEATURES

ELIMINATES NEED FOR RETOOLING

Neatly proportioned, the L-Series fits into an industry standard mounting hole of 1.734 x .867 [44.0mm x 22.0mm].

WITHSTANDS EXTREME TEMPERATURES

Roller pin mechanism eliminates need for lubricants, Withstanding temperatures from -40°C to +85°C.



INTEGRATES EASILY INTO YOUR SYSTEM

Available with two industry standard termination options, .250 TAB or .187 TAB.

ENSURES GREATER SHOCK PROTECTION

Welded lamp connection and one-piece internal, jumperless terminal withstand extreme shock and vibration.

MAXIMIZES YOUR DESIGN FLEXIBILITY

Twelve terminals offers an extensive range of switch and lamp circuit options, including LED or incandescent illumination.

Electrical

| | |
|----------------------------|---|
| Contact Rating | .4VA @ 24VDC (MAX) resistive 15 amps, 125VAC 10 amps, 250VAC 20 amps, 4-14VDC 15 amps, 15-28VDC |
| Dielectric Strength | 1250 Volts RMS between pole to pole 3750 Volts RMS between live parts and accessible surfaces |
| Insulation Resistance | 50 Megaohms |
| Initial Contact Resistance | 10 milliohms max. @ 4VDC |
| Life | 100,000 cycles maintained, 50,000 cycles momentary at rated voltage and current |
| Contacts | 90/10 silver-nickel, silver tin-oxide, gold |
| Terminals | Brass or copper/silver plate 3/16" (4.76mm) & 1/4" (6.3mm) Quick Connect terminations standard. |

Mechanical

| | |
|-----------|------------------------|
| Endurance | 250,000 cycles minimum |
|-----------|------------------------|

Physical

| | |
|-----------|--|
| Lighted | Incandescent - rated 10,000 hours LED - rated 100,000 hours 1/2 life (LED is internally ballasted for voltages to 24 VDC) |
| Seals | Rocker, base & bracket are sealed. |
| Base | Nylon 66 GF rated to 85°C with a flammability rating of 94V0. |
| Rocker | Nylon 66 Reinforced, rated to 105°C (modular lens). Locking rocker, standard rocker & paddle. Laser etching with a polycarbonate actuator. |
| Lock | Acetal |
| Lens | Polycarbonate rated at 100°C. |
| Bracket | Nylon Zytel |
| Connector | Nylon 66 rated at 85°C. Polarized. |

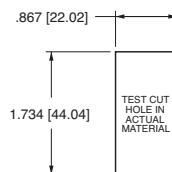
Actuator Travel (Angular Displacement)

| | |
|-------------|-----------------|
| 2 position | 26° |
| 3 positions | 13° from center |

Environmental

| | |
|-----------------------|--|
| Environmental | IP67 for above panel components of the actual switch, representing an index of protection as applied to electrical equipment in accordance with IEC 529, BS 5490, DIN 400 50 & NFC 20 010. |
| Corrosion | Mixed Flowing Gas MFG Class III per ASTM B-827 & B-845, Method H, with 3 years exposure. |
| Operating Temperature | -40°C to + 85°C |
| Vibration 1 | Per Mil-Std 202F, Method 204D Test Condition A 0.06 DA or 10G's 10-500 Hz. Tested with VCH connector. Test criteria - No loss of circuit during test and pre and post test contact resistance. |
| Vibration 2 | Resonance search 24-50 Hz 0.40 DA 50-2000 ±10 G's peak Results Horizontal Axis 3-5 G's max. Random 24 Hz 0.06 PSD-Gsq/Hz 60 Hz 0.50 100 Hz 0.50 200 Hz 0.025 2000 Hz 0.025 No loss of circuit during test; <10µ chatter. |
| Shock | Per Mil-Std 202F, Method 213B, Test Condition K @ 30G's. Tested with VCH connector. Test criteria - No loss of circuit during test, pre, and post test contact resistance. |
| Salt Spray | Per Mil-Std 202F, Method 101D, Test Condition A, 48 Hrs. |
| Thermal Shock | Per Mil-Std 202F, Method 107F, Test Condition A, -55°C to 85°C. Test criteria - pre and post test contact resistance. |
| Moisture Resistance | Per Mil-Std 202F, Method 106F, Test Criteria - pre and post test contact resistance. |

Mounting Specifications



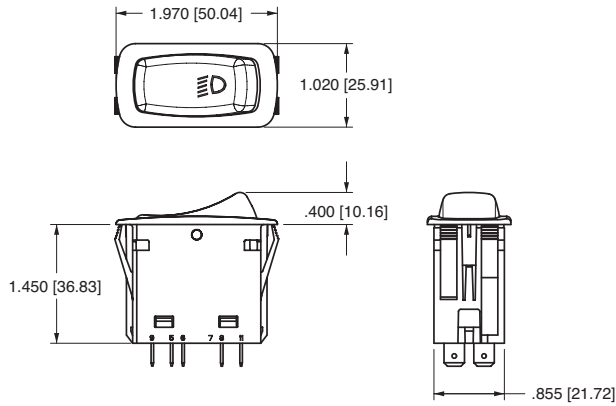
MOUNTING HOLE

Panel Thickness Range
Acceptable Panel Thickness
.030 to .156 (.76mm to 3.96mm)
Recommended:
.030, .062, .093, .125 and .156

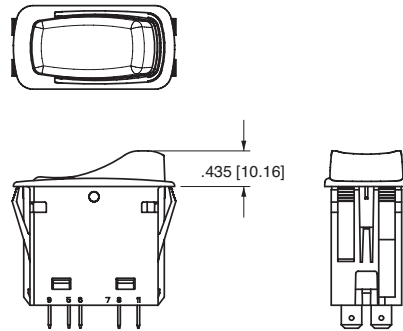
*Manufacturer reserves the right to change product specification without prior notice.

Dimensional Specifications: in. [mm]

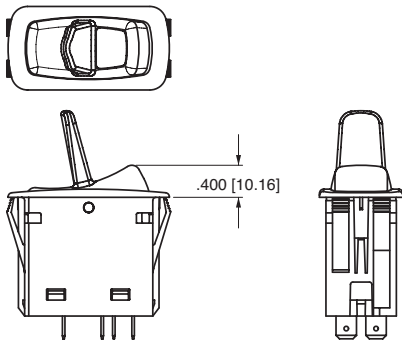
L-SERIES
SHOWN WITH LASER ETCHED
ACTUATOR



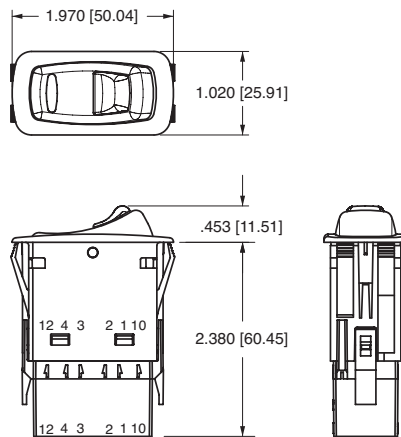
L-SERIES
SHOWN WITH ROCKER GUARD



L-SERIES
SHOWN WITH LARGE LENS
AND PADDLE ACTUATOR

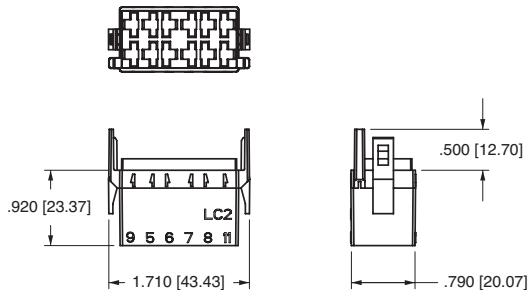


L-SERIES
SHOWN WITH BAR LENS, LOCK
AND CONNECTOR



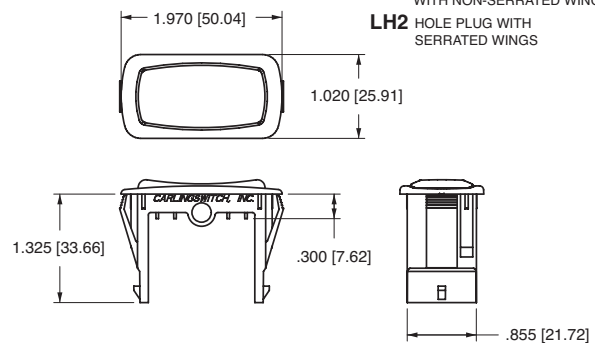
Connector **L-SERIES** CONNECTOR

- LC1-01** BLACK .250 TAB CONNECTOR (PACKARD 630 SERIES)
- LC2-01** BLACK .187 TAB CONNECTOR (PACKARD 480 SERIES)
- LC3-01** BLACK .250 TAB CONNECTOR (AMP ONLY)

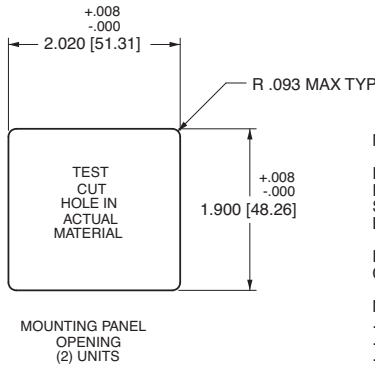
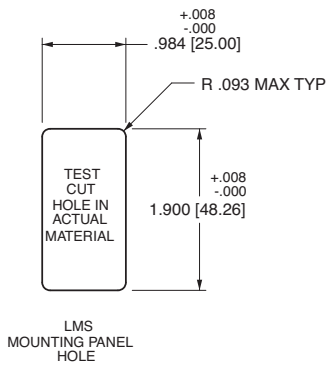


Hole Plug **L-SERIES** HOLE PLUG

- LH1** REMOVABLE HOLE PLUG WITH NON-SERRATED WINGS
- LH2** HOLE PLUG WITH SERRATED WINGS



Dimensional Specifications: in. [mm]



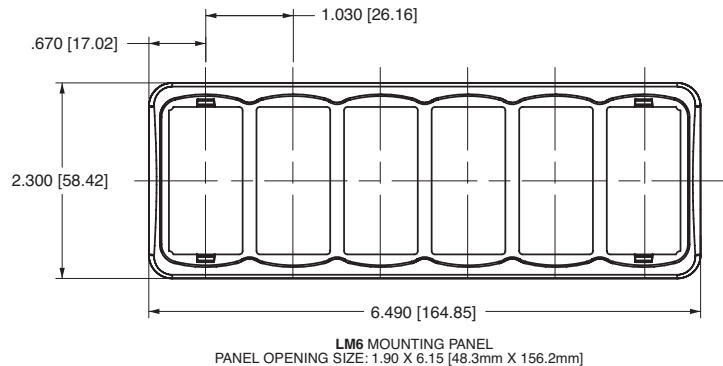
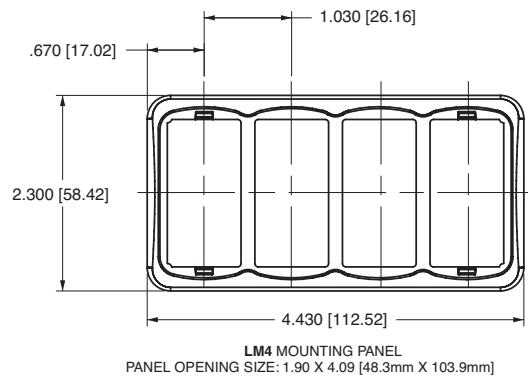
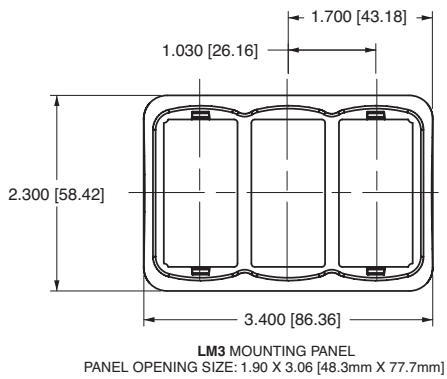
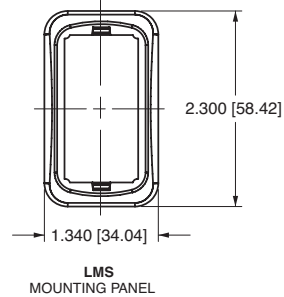
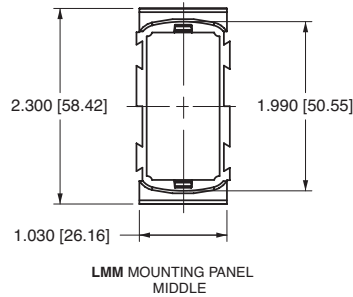
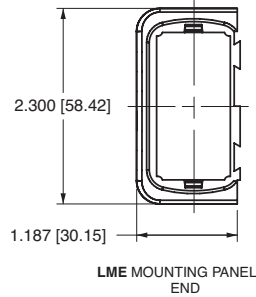
MOUNTING PANEL

FOR ADDITIONAL UNITS, ADD 1.03 [26.2] PER UNIT. FOR MORE THAN 2 L-SERIES SWITCHES, ADD MIDDLE SECTION. AVAILABLE IN PANEL THICKNESSES LISTED BELOW. CONSULT FACTORY

DIMENSIONS: LME 2.02 [51.3mm] PLUS NUMBER OF CENTER BEZELS (LMM) X 1.034 [26.26mm]

MOUNTING PANEL THICKNESS

- .062 [1.57]
- .093 [2.36]
- .125 [3.17]
- .156 [3.96]



| CIRCUIT CODE | SCHEMATIC | CIRCUIT CODE | SCHEMATIC | CIRCUIT CODE | SCHEMATIC |
|--------------|-----------|--------------|-----------|--------------|-----------|
| 11 | | 22 | | 51 | |
| 12 | | 23 | | 52 | |
| 13 | | 24 | | 53 | |
| 14 | | 25 | | 54 | |
| 15 | | 26 | | 55 | |
| 16 | | 27 | | 56 | |
| 17 | | 28 | | 57 | |
| 18 | | 30 | | 58 | |
| 21 | | 31 | | 61 | |

| CIRCUIT CODE | SCHEMATIC | CIRCUIT CODE | SCHEMATIC |
|--------------|-----------|--------------|-----------|
| 62 | | 71 | |
| 63 | | 72 | |
| 64 | | 73 | |
| 65 | | 80 | |
| 66 | | 81 | |
| 67 | | 82 | |
| 68 | | A2 | |
| 69 | | A3 | |
| 70 | | | |

| ILLUMIN. CODE | SCHEMATIC |
|---------------|-----------|
| A | |
| B | |
| C | |
| D | |
| E | |
| F | |
| G | |
| H | |

| ILLUMIN. CODE | SCHEMATIC |
|---------------|-----------|
| J | |
| 1 | |
| 2 | |
| K | |

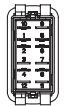
| LEGEND | |
|--------|---------------------------------------|
| SYMBOL | DEFINITION |
| | TERMINAL LOCATION |
| | LAMP LOCATION |
| | MAINTAINED CIRCUIT |
| | MOMENTARY CIRCUIT |
| | INTERNAL CONNECTION (JUMPER TERMINAL) |
| | 2 POSITION CONNECTION |
| | 2 POSITION |
| | 3 POSITION |

L 11 E 3 C H N 1 - 3 A A 45 - 1 48

1 Series 2 Circuit 3 Rating 4 Termination 5 Illumination 6 Lamp 7 Lamp 8 Bracket 9 Actuator 10 Lens Style & Color 11 Lens Style & Color 12 Legend 13 Legend Orientation 14 Actuator Lens Legend

1 SERIES
L

2 CIRCUIT²
Terminal Orientation () - momentary



SP - single pole - uses terminals 1, 2 & 4.
DP - double pole uses terminals 5, 6 & 8.
Terminals 9, 10 & 11 for lamp circuit only.

| Position: | 1 | 2 | 3 |
|-----------|----|--------------|---------------------|
| SP | DP | 2 & 3, 6 & 8 | Connected Terminals |
| 11 | 21 | ON | NONE |
| 12 | 22 | (ON) | NONE |
| 13 | 23 | ON | NONE |
| 14 | 24 | ON | NONE |
| 15 | 25 | ON | NONE |
| 16 | 26 | ON | OFF |
| 17 | 27 | ON | OFF |
| 18 | 28 | (ON) | OFF |

CIRCUITS WITH JUMPER TERMINALS

| | | | |
|-----|--------------------|----------|--------------------|
| 30* | (2, 4&5), (1, 6&8) | OFF, OFF | (1, 2&8), (4, 5&6) |
| 31 | 1, 2 & 5 | 2, 3 & 7 | 2, 4 & 8 |

PROGRESSIVE CIRCUITS

| | | | |
|-----|------------------|--------------|------------------|
| 51 | 3 & 4 | 2 & 3 | 1 & 2 |
| 52 | 3 & 4 | 2 & 3 | OFF |
| 53 | (3 & 4) | 2 & 3 | 1 & 2 |
| 54 | (3 & 4) | 2 & 3 | OFF |
| 55 | (3 & 4) | 2 & 3 | (1 & 2) |
| 56 | (3 & 4) | 2 & 3 | (OFF) |
| 57 | 3 & 4 | 2 & 3 | (OFF) |
| 58* | 2 & 4 | 2 & 3 | 1 & 2 |
| 61 | 3 & 4, 7 & 8 | 2 & 3, 6 & 7 | 1 & 2, 5 & 6 |
| 62 | 3 & 4, 7 & 8 | 2 & 3, 6 & 7 | OFF, OFF |
| 63 | (3 & 4), (7 & 8) | 2 & 3, 6 & 7 | 1 & 2, 5 & 6 |
| 64 | (3 & 4), (7 & 8) | 2 & 3, 6 & 7 | OFF, OFF |
| 65 | (3 & 4), (7 & 8) | 2 & 3, 6 & 7 | (1 & 2), (5 & 6) |
| 66 | (3 & 4), (7 & 8) | 2 & 3, 6 & 7 | (OFF, OFF) |
| 67 | 3 & 4, 7 & 8 | 2 & 3, 6 & 7 | (OFF, OFF) |
| 68 | 2 & 4, 7 & 8 | 2 & 4, OFF | OFF, OFF |
| 69* | 2 & 4, 1, 7 & 8 | 2 & 4, OFF | OFF, OFF |
| 70 | (2 & 4), (7 & 8) | 2 & 4, 5 & 7 | (1 & 2), (5 & 7) |
| 71 | (2 & 4), (7 & 8) | 2 & 4, 5 & 7 | 1 & 2, 5 & 7 |
| 72 | 2 & 4, 7 & 8 | 2 & 4, 5 & 7 | 1 & 2, 5 & 7 |
| 73 | (2 & 4), (7 & 8) | 2 & 4, OFF | OFF, OFF |
| 80 | 2 & 4, 6 & 8 | 2 & 4, OFF | OFF, 5 & 6 |

HAZARD WARNING CIRCUITS

| | | | |
|----|-----------------|------|------------|
| A2 | 6, 7 & 8, 3 & 4 | NONE | OFF, 1 & 2 |
| A3 | 6, 7 & 8, 2 & 4 | NONE | OFF, 1 & 2 |

* Available with ratings 1, 4, & E only.

3 RATING²

- 1 .4VA @ 28VDC Resistive
- 4 10A 250VAC 1/2 HP, 15A 125VAC 1/2 HP, No Listings
- B 15A 24V
- C 20A 18V
- D 20A 12V
- E 15A 12V
- G 20A 6V
- H 20A 3V

4 TERMINATION^{2,3,4}

- 1 .250 (6.4mm) TAB (QC)
- 3 .187 (4.7mm) TAB (QC)

Notes:
Consult factory to verify horsepower rating for your particular circuit choice.

- Custom colors are available. Consult factory.
- Circuits 30, 31, 58, 69 are not available with rating codes 4, C, D, G or H.
- Termination 3 only available with rating codes 1, B, and E.
- Termination 1 not available with rating code 4.
- Not available with circuits 11-18, 51-57 and 69.

5 ILLUMINATION
Lamp #1: above terminals 9 & 10 end of switch.; Lamp #2 above terminals 11 & 12 end of switch. Positive (+) and negative (-) symbols apply to LED lamps only.

| S | Lamps | Illumination Type | Lamp wired to Terminals |
|----------------|-----------|------------------------------|-------------------------|
| A | # 1 | Independent | 10+ 9- |
| B | # 2 | Independent | 12+ 11- |
| C | # 1 & # 2 | Independent | 10+ 9- |
| D | # 1 | Dependent | 12+ 9- |
| E | # 1 | Independent | 4+ 9- |
| F ⁵ | # 1 | Independent | 4+ 9- |
| | & # 2 | Dependent | 10+ 9- |
| G | # 1 | Dependent | 8+ 9- |
| | & # 2 | Independent | 4+ 9- |
| H | # 1 | Both Independent (in series) | 10+ 9- |
| | & # 2 | Dependent | 4+ 9- |
| J | # 1 | Dependent | 1+ 9- |
| | & # 2 | Dependent | 6+ 10- 12- |
| 1 | # 2 | Hazard | 6+ 10- 12- |
| 2 | # 1 | Hazard | 6+ 10- 12- |

6,7 LAMP (SAME CODING FOR BOTH SELECTIONS)
Selection 6: above terminals 10 & 9; Selection 7: above terminals 12 & 11

| No lamp | 0 | 4 3V | 5 6V | 6 12V | 7 18V | 8 24V |
|--------------|-----|-------|-------|-------|-------|-------|
| Incandescent | Red | Amber | Green | | | |
| LED* | A | L | F | | | |
| 2VDC | B | M | G | | | |
| 6VDC | C | N | H | | | |
| 12VDC | D | P | J | | | |
| 24VDC | | | | | | |

* Consult factory for "daylight bright", blue/green and white LED options.
Typical current draw for LED is 20ma.

8 BRACKET COLOR¹

| | Black | White | Gray | Red |
|-----------------------|-------|-------|------|-----|
| Standard Bracket | 1 | 2 | 3 | 4 |
| Rockerguard at Lamp 1 | A | B | C | D |
| Rockerguard at Lamp 2 | E | F | G | H |

9 ACTUATOR STYLE AND COLOR¹

| | Black | White | Gray | Red | Laser Etched |
|--------|-------|-------|------|-----|--------------|
| Rocker | A | B | C | D | 3 |
| Paddle | J | N | K | M | 4 |

10 & 11 LENS STYLE AND COLOR
Lens color for LEDs must be clear, white, or match color of LED.

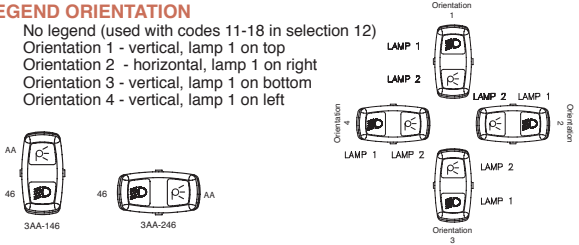
0 - No Actuator Z - No Lens

| Clear | White | Amber | Green | Red | Blue |
|-------|-------|-------|-------|-----|-----------------------------|
| 1 | - | B | G | M | T Large Transparent |
| - | 7 | C | H | N | U Large Translucent |
| 3 | - | D | J | P | V Bar Transparent |
| - | 9 | E | K | R | W Bar Translucent |
| 5 | A | - | - | - | Laser Etch background color |

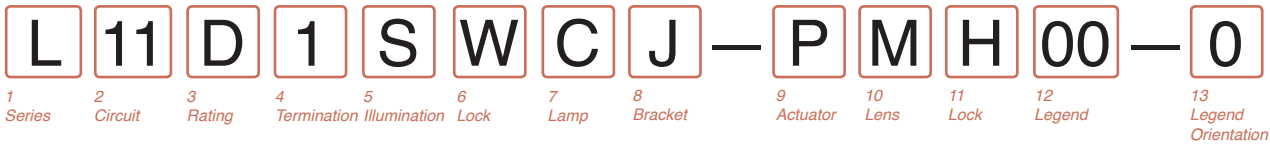
12 LASER ETCH, LENS OR BODY LEGEND
00 No legend this location / no actuator
For legend options & codes, see pages 54-65 of the Carling Transportation catalog.

13 LEGEND ORIENTATION

- No legend (used with codes 11-18 in selection 12)
- Orientation 1 - vertical, lamp 1 on top
- Orientation 2 - horizontal, lamp 1 on right
- Orientation 3 - vertical, lamp 1 on bottom
- Orientation 4 - vertical, lamp 1 on left



14 ACTUATOR LENS LEGEND
00 No legend this location / no actuator
For legend options & codes, see pages 54-65 of the Carling Transportation catalog.



1 SERIES
L

2 CIRCUIT⁶
Terminal Orientation () - momentary

SP - single pole - uses terminals 1, 2 & 4.
DP - double pole uses terminals 5, 6 & 8.
Terminals 9, 10 & 11 for lamp circuit only.

| Position: | DP | 1 | 2 | 3 (Lock location) |
|-----------|----|--------------|---------------------|-------------------|
| SP | | 2 & 3, 6 & 8 | Connected Terminals | 1 & 2, 5 & 6 |
| 11 | 21 | ON | NONE | OFF |
| 14 | 24 | ON | NONE | ON |
| 16 | 26 | ON | OFF | ON |
| 17 | 27 | ON | OFF | (ON) |
| 18 | 28 | (ON) | OFF | (ON) |

CIRCUITS WITH JUMPER TERMINALS

| | | | |
|-----------------|--------------------|----------|--------------------|
| 30 ² | (2, 4&5), (1, 6&8) | OFF, OFF | (1, 2&8), (4, 5&6) |
| 31 ² | 1, 2 & 5 | 2, 3 & 7 | 2, 4 & 8 |

PROGRESSIVE CIRCUITS

| | | | |
|----|-----------------|--------------|------------------|
| 51 | 3 & 4 | 2 & 3 | 1 & 2 |
| 52 | 3 & 4 | 2 & 3 | OFF |
| 53 | (3 & 4) | 2 & 3 | 1 & 2 |
| 54 | (3 & 4) | 2 & 3 | OFF |
| 55 | (3 & 4) | 2 & 3 | (1 & 2) |
| 56 | (3 & 4) | 2 & 3 | (OFF) |
| 57 | 3 & 4 | 2 & 3 | (OFF) |
| 58 | 2 & 4 | 2 & 3 | 1 & 2 |
| 61 | 3 & 4, 7 & 8 | 2 & 3, 6 & 7 | 1 & 2, 5 & 6 |
| 62 | 3 & 4, 7 & 8 | 2 & 3, 6 & 7 | OFF, OFF |
| 63 | (3&4), (7&8) | 2 & 3, 6 & 7 | 1 & 2, 5 & 6 |
| 64 | (3&4), (7&8) | 2 & 3, 6 & 7 | OFF, OFF |
| 65 | (3&4), (7&8) | 2 & 3, 6 & 7 | (1 & 2), (5 & 6) |
| 66 | (3&4), (7&8) | 2 & 3, 6 & 7 | (OFF, OFF) |
| 67 | 3 & 4, 7 & 8 | 2 & 3, 6 & 7 | (OFF, OFF) |
| 68 | 2 & 4, 7 & 8 | 2 & 4, OFF | OFF, OFF |
| 69 | 2 & 4, 1, 7 & 8 | 2 & 4, OFF | OFF, OFF |
| 70 | (2&4), (7&8) | 2 & 4, 5 & 7 | (1 & 2), (5 & 7) |
| 71 | (2&4), (7&8) | 2 & 4, 5 & 7 | 1 & 2, 5 & 7 |
| 72 | 2 & 4, 7 & 8 | 2 & 4, 5 & 7 | 1 & 2, 5 & 7 |
| 73 | (2&4), (7&8) | 2 & 4, OFF | OFF, OFF |
| 80 | 2 & 4, 6 & 8 | 2 & 4, OFF | OFF, 5 & 6 |

3 RATING⁵

| | |
|---|---|
| 1 | .4VA @ 28VDC Resistive |
| 4 | 10A 250VAC 1/2 HP, 15A 125VAC 1/2 HP, No Listings |
| B | 15A 24V |
| C | 20A 18V |
| D | 20A 12V |
| E | 15A 12V |
| G | 20A 6V |
| H | 20A 3V |

4 TERMINATION^{4,5}

| | |
|---|-----------------------|
| 1 | .250 (6.4mm) TAB (QC) |
| 3 | .187 (4.7mm) TAB (QC) |

5 ILLUMINATION²
Lamp #1: above terminals 9 & 10 end of switch.; Lamp #2 above terminals 11 & 12 end of switch. Positive (+) and negative (-) symbols apply to LED lamps only.

| S | Lamps | Illumination Type | Lamp wired to Terminals |
|------|-------|-------------------|-------------------------|
| NONE | | | |
| B | # 2 | Independent | 12+ 11- |

Notes:
Consult factory to verify horsepower rating for your particular circuit choice.
1 Custom colors are available. Consult factory.
2 Additional lamp circuits available. Consult factory.
3 Available only with 3 position circuits.
4 Termination 1 not available with rating 4.
5 Termination 3 only available with ratings 1, B and E.
6 Circuits 30, 31, 58 and 69, are not available with rating codes 4, C, D, G or H.

6 LOCK
W Lock above terminals 10 & 9.

7 LAMP
Above terminals 12 & 11

| | | | | | |
|--------------|------|-------|-------|-------|-------|
| No lamp | 0 | | | | |
| Incandescent | 4 3V | 5 6V | 6 12V | 7 18V | 8 24V |
| LED* | Red | Amber | Green | | |
| 2VDC | A | L | F | | |
| 6VDC | B | M | G | | |
| 12VDC | C | N | H | | |
| 24VDC | D | P | J | | |

* Consult factory for "daylight bright", blue/green and white LED options.
Typical current draw for LED is 20ma.

8 BRACKET COLOR¹
J Black

9 ACTUATOR STYLE AND COLOR¹
Locking Rocker

| | |
|-------|-----|
| Black | Red |
| P | R |

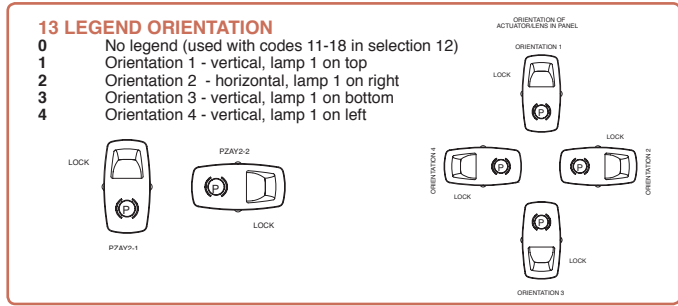
10 LENS STYLE AND COLOR
Lens color for LEDs must be clear, white, or match color of LED.

| 0 - No Actuator | Z - No Lens | Clear | White | Amber | Green | Red | Blue |
|-----------------|-------------|-------|-------|-------|-------|-------------------|------|
| 1 | - | B | G | M | T | Large Transparent | |
| - | 7 | C | H | N | U | Large Translucent | |
| 3 | - | D | J | P | V | Bar Transparent | |
| - | 9 | E | K | R | W | Bar Translucent | |

11 LOCK FUNCTION AND COLOR
Locking Position

| Up | Down | Up & Down | Center ³ | Lock Color |
|----|------|-----------|---------------------|----------------|
| A | H | R | 1 | Match Actuator |
| B | J | S | 2 | Black |
| C | K | T | 3 | White |
| D | L | U | 4 | Red |
| E | M | V | 5 | Safety Orange |

12 LASER ETCH, LENS OR BODY LEGEND
00 No legend this location / no actuator
For legend options & codes, see pages 54-65 of the Carling Transportation catalog.



* Intentionally left blank

Worldwide Headquarters

Carling Technologies, Inc.
60 Johnson Avenue • Plainville, CT 06062-1177
Phone: (860) 793-9281 • Fax: (860) 793-9231
Email: sales@carlingtech.com • www.carlingtech.com

East Region Sales Office, CT • ersm@carlingtech.com
Midwest Region Sales Office, IL • mrsm@carlingtech.com
West Region Sales Office, CA • wrsm@carlingtech.com

Asia-Pacific Headquarters

Carling Technologies, Asia-Pacific Ltd.,
Kowloon, Hong Kong
Int + 852-2737-2277 • Fax: Int + 852-2736-9332
Email: sales@carlingtech.com.hk

Shenzhen, China • shenzhen@carlingtech.com
Shanghai, China • shanghai@carlingtech.com
Pune, India • india@carlingtech.com
Kaohsiung, Taiwan • taiwan@carlingtech.com
Yokohama, Japan • japan@carlingtech.com

Europe / Middle East / Africa Headquarters

Carling Technologies, Ltd.,
Devon, England 06062-1177
Int + 44 1392-364422 • Fax: Int + 44 1392-364477
Email: ltd.sales@carlingtech.com

GmbH, Germany • gmbh@carlingtech.com
SAS, France • sas@carlingtech.com

REV_SW_L_0612



Carling Technologies™

Innovative Designs. Powerful Solutions.

Innovative Designs. Powerful Solutions.