



# LE-K, LE-K-M SERIES NOISE SUPPRESSION CAPACITOR



## Features

- Rated voltage 300Vac, Class X2 series.
- Tolerance of Capacitance  $\pm 10\%$ (LE-K),  $\pm 20\%$  (LE-K-M).
- High Capacitance 1.5 ~ 10 $\mu$ F.



Safety Standard	File No.
UL :UL60384-14	E47474
cUL :CSA E60384-14	E47474
ENEC :IEC/EN60384-14	SE/0142-1

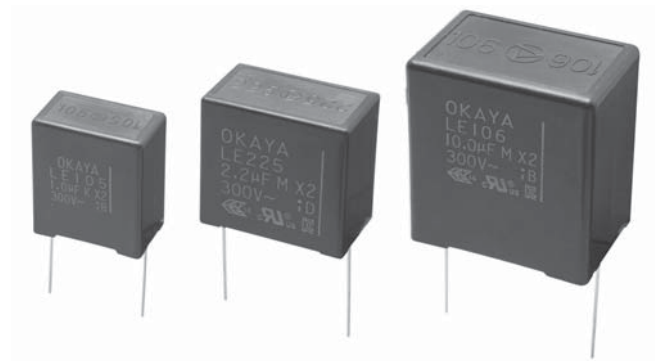
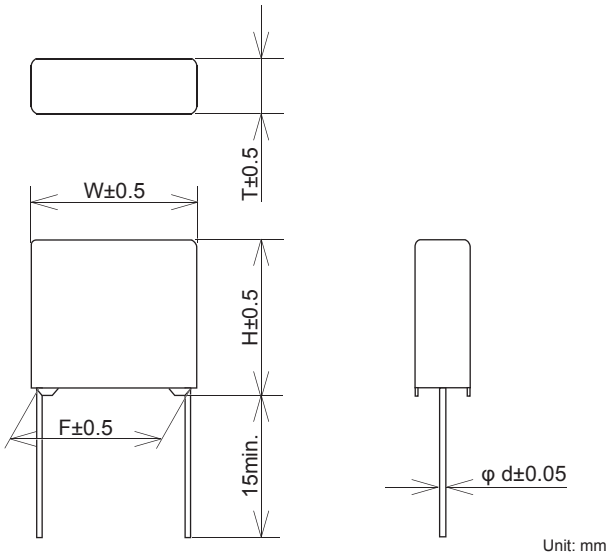
The "ENEC" mark is a common European product certification mark based on testing to harmonised European safety standard. The mark with #14 stands for SEMKO.



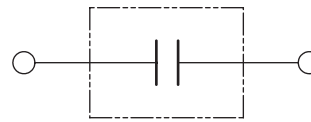
## Applications

- Designed mainly for suppressing noise occurring in power line of electrical appliances.

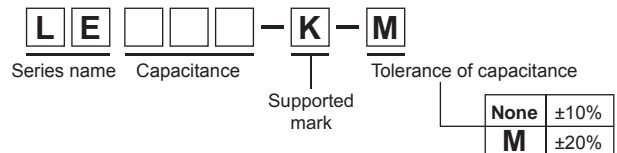
## Dimensions



## Circuit



## Model numbering system



## Electrical Specifications

Rated Voltage **300Vac**

Safety Standard	Class	Model Number	Capacitance $\mu$ F $\pm 10\%$	Dimensions					Dissipation Factor	Test Voltage	Insulation Resistance
				W	H	T	F	d			
	X2	LE155-K	1.5	25.5	28.0	16.0	22.5	0.8	0.002max. (f=1kHz)	Line to Line C $\leq 3.3\mu$ F 1,250Vac 50/60Hz 60sec C $\geq 4.7\mu$ F 1,770Vdc 60sec Line to Case 2,100Vac 50/60Hz 60sec	Line to Line 5,000 $\Omega$ •Fmin. (at 100Vdc) Line to Case 100,000M $\Omega$ min (at 100Vdc)
		LE225-K	2.2		32.0	20.5					
		LE335-K	3.3	31.0	35.5	21.5	27.5				
		LE475-K	4.7		40.0	26.0					
		LE685-K	6.8	39.0	27.0	35.0					
		LE106-K	10.0	46.5	43.5	31.0	42.5				

Safety Standard	Class	Model Number	Capacitance $\mu$ F $\pm 20\%$	Dimensions					Dissipation Factor	Test Voltage	Insulation Resistance
				W	H	T	F	d			
	X2	LE155-K-M	1.5	30.5	24.5	15.0	27.5	0.8	0.002max. (f=1kHz)	Line to Line C $\leq 3.3\mu$ F 1,250Vac 50/60Hz 60sec C $\geq 4.7\mu$ F 1,770Vdc 60sec Line to Case 2,100Vac 50/60Hz 60sec	Line to Line 5,000 $\Omega$ •Fmin. Line to Case 100,000M $\Omega$ min (at 100Vdc)
		LE225-K-M	2.2		28.0	18.0					
		LE335-K-M	3.3	38.0	31.0	21.0	37.5				
		LE475-K-M	4.7		38.0	23.0					
		LE685-K-M	6.8	41.0	43.0	28.0					
		LE106-K-M	10.0				1.0				

Operating Temperature: -55~+100°C