

ALL DIMENSIONS ARE IN mm													
Part Number	Class 2R Wire Size	Stud Size	Wire Strip Length	Panduit Die Index No. for Class 2R Wire	l ±2.76	o ±.50	i ±.50	a ±2.25	m (ref)	n ±2.25	d ±.50	b ±2.25	t
LCMA 185-10-X	185mm ²	M10	29.7	P76	72.5	23.00	18.60	28.2	16.5	17.5	11.00	33.5	4.55 ± .50
LCMA 185-12-X	185mm ²	M12	29.7	P76	72.5	23.00	18.60	28.2	16.5	17.5	14.00	33.5	4.55 ± .50
LCMA 185-16-X	185mm ²	M16	29.7	P76	72.5	23.00	18.60	28.2	16.5	17.5	18.00	33.5	4.40 ± .50
LCMA 185-20-X	185mm ²	M20	29.7	P76	77.0	23.00	18.60	28.2	21.0	17.5	22.00	33.5	4.40 ± .50
LCMA240-10-X	240mm ²	M10	36.5	P87	86.5	26.00	20.80	35.0	21.0	19.5	11.00	37.5	5.30 ± .50
LCMA240-12-X	240mm ²	M12	36.5	P87	86.5	26.00	20.80	35.0	21.0	19.5	14.00	37.5	5.30 ± .50
LCMA240-16-X	240mm ²	M16	36.5	P87	86.5	26.00	20.80	35.0	21.0	19.5	18.00	37.5	5.30 ± .50
LCMA240-20-X	240mm ²	M20	36.5	P87	86.5	26.00	20.80	35.0	21.0	19.5	22.00	37.5	5.20 ± .50
LCMA300-10-5	300mm ²	M10	41.8	P94	94.5	29.00	23.50	40.3	22.0	20.0	11.00	42.5	5.40 ± .55
LCMA300-12-5	300mm ²	M12	41.8	P94	94.5	29.00	23.50	40.3	22.0	20.0	14.00	42.5	5.40 ± .55
LCMA300-16-5	300mm ²	M16	41.8	P94	94.5	29.00	23.50	40.3	22.0	20.0	18.00	42.5	5.40 ± .55
LCMA300-20-5	300mm ²	M20	41.8	P94	94.5	29.00	23.50	40.3	22.0	20.0	22.00	42.5	5.30 ± .55
LCMA400-12-5	400mm ²	M12	46.3	P106	107.0	34.50	27.00	44.8	26.5	23.5	14.00	49.5	7.50 ± .55
LCMA400-16-5	400mm ²	M16	46.3	P106	107.0	34.50	27.00	44.8	26.5	23.5	18.00	49.5	7.50 ± .55
LCMA400-20-5	400mm ²	M20	46.3	P106	107.0	34.50	27.00	44.8	26.5	23.5	22.00	49.5	7.50 ± .55
LCMA500-12-1	500mm ²	M12	48.0	P125	120.0	40.00	31.00	46.5	28.5	25.5	14.00	57.5	8.90 ± .55
LCMA500-16-1	500mm ²	M16	48.0	P125	120.0	40.00	31.00	46.5	28.5	25.5	18.00	57.5	8.90 ± .55
LCMA500-20-1	500mm ²	M20	48.0	P125	120.0	40.00	31.00	46.5	28.5	25.5	22.00	57.5	8.90 ± .55
LCMA630-16-1	630mm ²	M16	57.7	P125	131.0	44.00	34.50	56.2	28.5	27.5	18.00	63.0	9.40 ± .65
LCMA630-20-1	630mm ²	M20	57.7	P125	131.0	44.00	34.50	56.2	28.5	27.5	22.00	63.0	9.40 ± .65

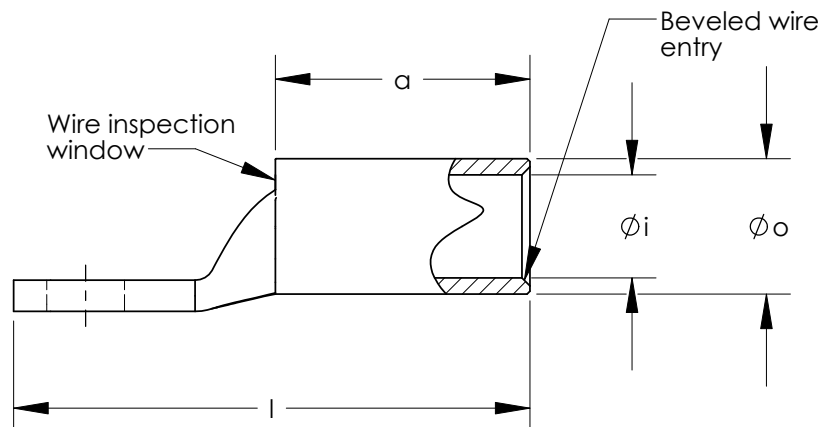
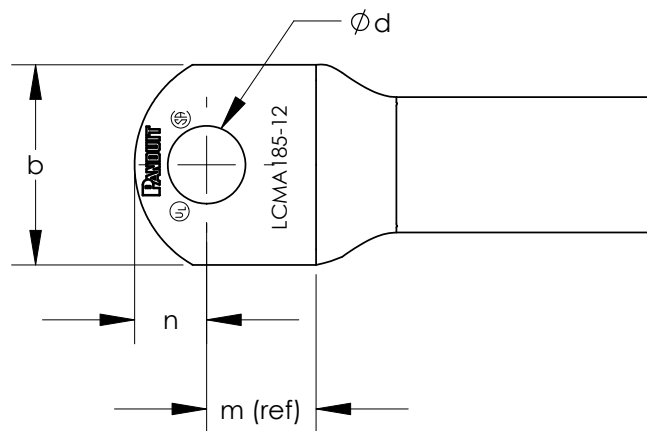
- NOTES: 1. Material: High conductivity seamless copper tube.
 2. Plating: Parts are tin plated.
 3. Wire Type: Class 2R Stranded Copper.
 4. UL Listed Wire Connector: Yes, for applications up to 35kv. Consult cable manufacturer for voltage stress relief instructions with applications greater than 2000 volts.
 5. UL Temperature Rating: 90° C
 6. C.S.A. Certified Wire Connector: Yes



LISTED Wire Connector



CERTIFIED



06	9/10	TLCO	TLCO	ADDED .76mm TO TOLERANCE l. ADDED .25mm TO TOLERANCES a, n, d, b. ADDED .15mm TO TOLERANCE t.	N10637BG-C41672	FLD	FLD	PANDUIT CORP. TINLEY PARK, ILLINOIS METRIC LUGS - LCMA SERIES 185-630mm ² CUSTOMER DRAWING
05	2/08	JHNU	TLCO	REMOVED CLASS 5F WIRE SIZES AND DIE INDEX NUMBERS				
04	1/07	JHNU	PWS	REVISED DRAWING FORMAT AND ADDED NOTES ADDED UL & CSA LOGOS TO DRAWING REMOVED LCMA500-00-1 & LCMA630-00-1, MOVED TO DRAWING C41695	PC00642			UNLESS OTHERWISE SPECIFIED DIMENSIONAL TOLERANCES ARE: (.X) ± (.XXX) ± (.XX) ± ANGLES ±
03	10/06	JHNU	PWSC	ADDED CLASS 5 DIE INDEX NUMBER COLUMN TO TABLE	PC00563			
02	8/06	PWS	PWS	ADDED LCMA400-12-5 AND LCMA500-12-1	PC00534			UNLESS OTHERWISE SPECIFIED, ALL DIMENSIONS ARE GIVEN IN INCHES, THIRD ANGLE PROJECTION
01	6/06	JHNU	SRBI	REVISED CLASS 5 WIRE SIZE	PC00462			
00	4/06	JHNU	JHNU	DRAWING RELEASED	PC00394			DRAWN BY JHNU DATE 4/06 SCALE NONE
REV	DATE	BY	CHK	DESCRIPTION	ECN	-R	SUP	MAT'L: CHK'D JHNU DRAWING NO / CAD FILE C41672_06 DWG B SIZE