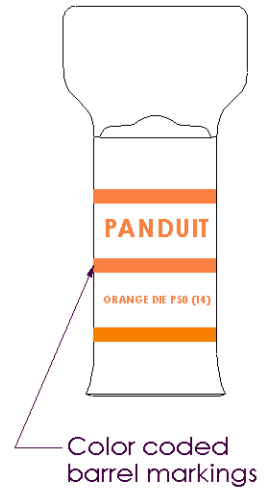
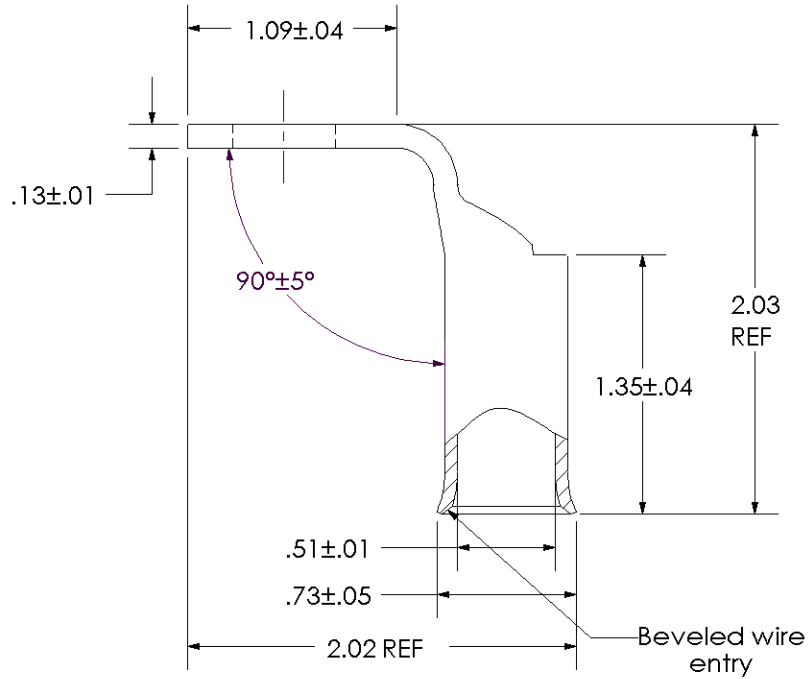
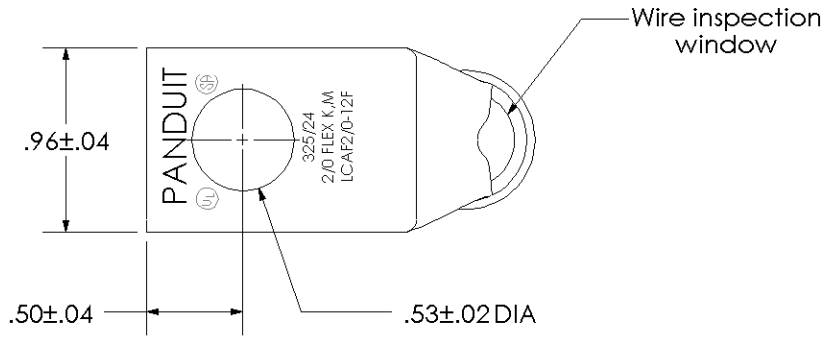


THIS COPY IS PROVIDED ON A RESTRICTED BASIS AND IS NOT TO BE USED IN ANY WAY DETRIMENTAL TO THE INTERESTS OF PANDUIT CORP.

| | |
|--|--|
| Material | High Conductivity Seamless Copper Tube |
| Plating | Electro-Tin |
| Wire Size & Type | Stranded Copper Flex Cable; 2/0 AWG (325/24) Diesel Locomotive, 2/0 AWG FLEX K,M Class K & Class M |
| Wire Strip Length | 1-7/16 in. |
| Stud Size | 1/2 in. |
| UL Listed Wire Connector | Yes, for applications up to 35kv. Consult cable manufacturer for voltage stress relief instructions with applications greater than 2000 volts. |
| UL Temperature Rating | 90° C |
| C.S.A Certified Wire Connector | Yes |
| Panduit Color Code on Barrel | ORANGE |
| Panduit Die Index No. on Barrel | P50 |
| Alternate Industry Die Index No. () on Barrel | (14) |



| | | | | | |
|-----|------|-----|-----|-------------|-------|
| 00 | 9/02 | SAB | DRL | RELEASED | 10323 |
| REV | DATE | BY | CHK | DESCRIPTION | ECN |

PANDUIT CORP. TINLEY PARK, ILLINOIS

LCAF2/0-12F-X
Copper Lug - One-Hole, Flared Barrel, 90° Angle Tongue

SCALE N/A DRAWING NO / CAD FILE LCAF2_0-12F-CUST