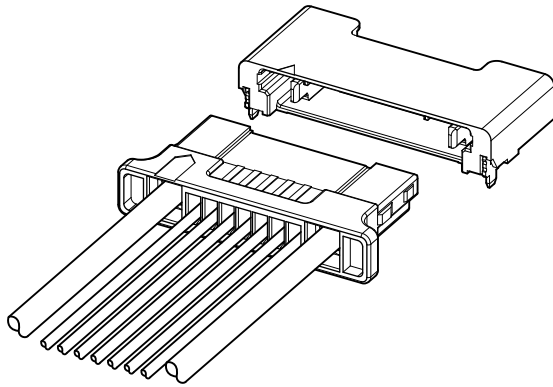


LBT CONNECTOR A Type



Disconnectable Crimp style connectors



This connector is for connecting the lithium polymer battery or for connecting DC-IN, and has the sequence structure for connection to the power supply circuit in preference to connection to the signal circuit by dividing the signal circuit and power supply circuit clearly. Moreover, this is the low profile connector (space saving) for applying the high current by adopting the heat radiation structure.

- Connector for power supply (7.0 A)
- Low profile (Space saving)
- Hybrid model of Signal circuit
+ Power supply circuit
- Heat radiation structure
- Sequence structure
- High-strength
- Check of incomplete mating

Specifications

- Current rating: Power supply circuit; 7.0 A AC/DC (AWG #20)
Signal circuit; 0.5 A AC/DC (AWG #28)
- Voltage rating: 50 V AC/DC
- Temperature range: -25°C to +85°C
(including temperature rise in applying electrical current)
- Contact resistance: Power supply circuit
Initial value/ 15 mΩ max.
After environmental tests/ 30 mΩ max.
Signal circuit
Initial value/ 20 mΩ max.
After environmental tests/ 40 mΩ max.
- Insulation resistance: 100 MΩ min.
- Withstanding voltage: 500 VAC/minute
- Applicable wire: Power supply circuit
Conductor size/ AWG #24 to #20
Insulation O.D./ 1.11 to 1.44 mm
Signal circuit
Conductor size/ AWG #28
Insulation O.D./ 0.6 to 0.8 mm

* In using the products, refer to "Handling Precaution for Terminal and Connector" described on our website (Technical documents of Product information page).

* RoHS2 compliance

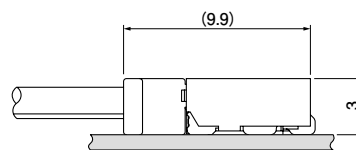
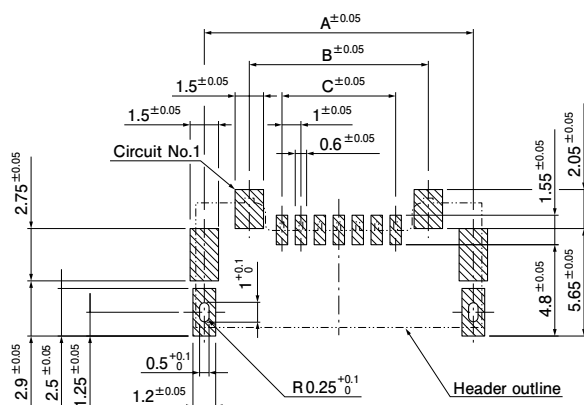
* Dimensional unit: mm

* Contact JST for details.

Standards

Recognized E60389

PC board layout and Assembly layout

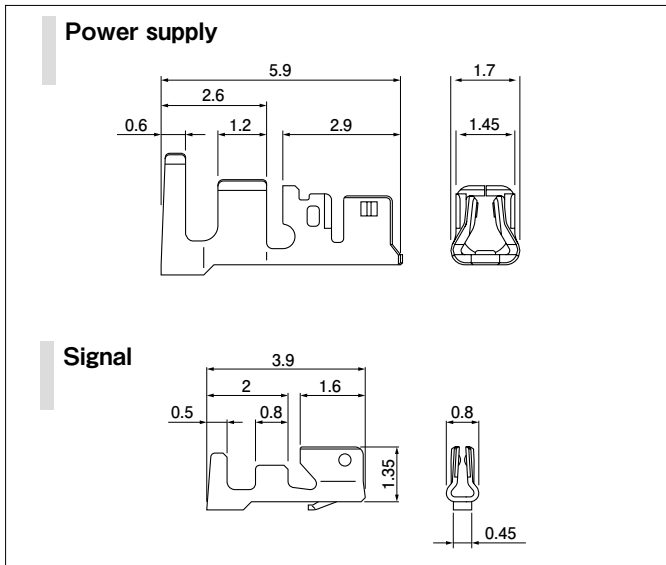


Note: 1. The above figure is the figure viewed from the connector mounting side.

2. Tolerances are non-cumulative: ± 0.05 mm for all centers. The dimensions above should serve as a guideline. Contact JST for details.

LBT CONNECTOR A Type

Contact



	Model No.	Applicable wire		Insulation O.D. (mm)	Q'ty/reel
		mm ²	AWG #		
Power supply	SLBTAD-01T-M0.5	0.22~0.5	24~20	1.11~1.44	7,000
Signal	SSH-003T-P0.2-H	0.08	28	0.6~0.8	23,000

Material and Finish

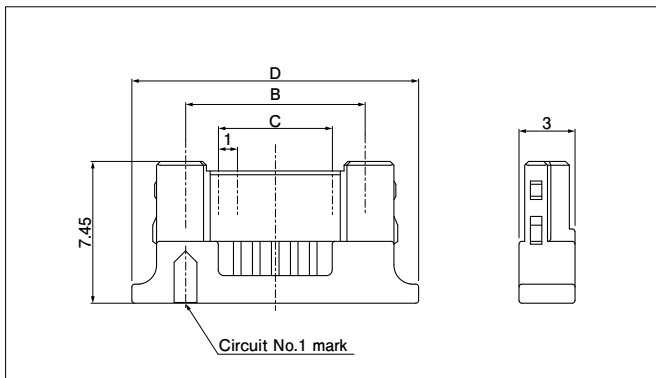
Power supply: Copper alloy, tin-plated (reflow treatment)
Signal: Phosphor bronze, tin-plated (reflow treatment)

RoHS2 compliance

Contact	Crimping machine	アプリケーション		
		Crimp applicator	Dies	Crimp applicator with dies
SLBTAD-01T-M0.5	AP-K2N	MKS-L	MK/SLBTAD-01-05	APLMK SLBTAD01-05
SSH-003T-P0.2-H		MKS-L-10-3	MK/SSH/L-003-02	APLMK SSH/L003-02

Note: Contact JST for fully automatic crimping applicator.

Housing



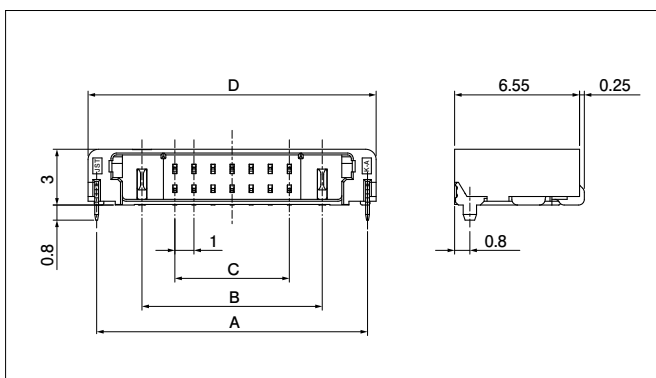
No. of circuits		Model No.	Dimensions (mm)			Q'ty/bag
Power supply	Signal		B	C	D	
2	1	LBTAR-03V-2K-K(HF)	3.45	—	9.1	3,000
	3	LBTAR-05V-2K-K(HF)	5.45	2.0	11.1	3,000
	5	LBTAR-07V-2K-K(HF)	7.45	4.0	13.1	2,000
	7	LBTAR-09V-2K-K(HF)	9.45	6.0	15.1	2,000

Material and Finish

PBT, UL94V-0

RoHS2 compliance

Header



No. of circuits		Model No.	Dimensions (mm)				Q'ty/reel
Power supply	Signal		A	B	C	D	
2	1	SM03B-LBTAKS-TD-N2T-K(HF)	8.2	3.45	—	9.1	1,500
	3	SM05B-LBTAKS-TD-N2T-K(HF)	10.2	5.45	2.0	11.1	1,500
	5	SM07B-LBTAKS-TD-N2T-K(HF)	12.2	7.45	4.0	13.1	1,500
	7	SM09B-LBTAKS-TD-N2T-K(HF)	14.2	9.45	6.0	15.1	1,500

Material and Finish

Power supply contact: Copper alloy, copper-undercoated, tin-plated (reflow treatment)
Signal contact: Copper alloy, copper-undercoated, tin-plated (reflow treatment)
Housing: Heat resisting resin, UL94V-0
Solder tab: Copper alloy, copper-undercoated, tin-plated (reflow treatment)

RoHS2 compliance

Note: The products listed above are supplied on embossed-tape.

LBT CONNECTOR A Type

Model number allocation

Contact for power supply circuit

S LBTA D - 01 T - M 0.5

Form: S... Strip form

Series name

Product shape: D...Contact for power supply circuit

Applicable wire: AWG #24 to #20

Surface finish: T...Tin-plated (reflow treatment)

Material: Copper alloy

Terminal size

Contact for signal circuit

S SH - 003 T - P 0.2 - H

Form: S...Strip form

Series name

Applicable wire: AWG #28

Surface finish: T...Tin-plated (reflow treatment)

Material: P...Phosphor bronze

Terminal size

Type: For single socket

Housing

LBTA R - 09 V - 2 K - K (HF)

Series name

Part name: Receptacle

No. of circuits
(Power supply circuit + Signal circuit): 3, 5, 7, 9

Flammability: V...UL94V-0

No. of circuits (Power supply circuit): 2

Color indication: K...Black

Product type: K...High-strength product

Indication of halogen-free: (HF)...Halogen-free

Header

SM 09 B - LBTA K S - T D - N 2 T - K - TB (HF)

Assembly style: SM...SMT Side entry type

No. of circuits (Power supply circuit + Signal circuit): 3, 5, 7, 9

Part name: Header

Series name

Color indication: K...Black

Indication of clinch: S...No clinch

Surface finish (Signal circuit): T...Copper-underplated Tin-plated (reflow treatment)

Solder tab specification: D...DIP type

Sequence (Between power supply circuits): N...None

No. of circuits (Power supply circuit): 2

Surface finish (Power supply circuit): T...Copper-underplated Tin-plated (reflow treatment)

Product type: K...High-strength product

Packaging style: TB...Embossed-taping

Indication of halogen-free: (HF)... Halogen-free