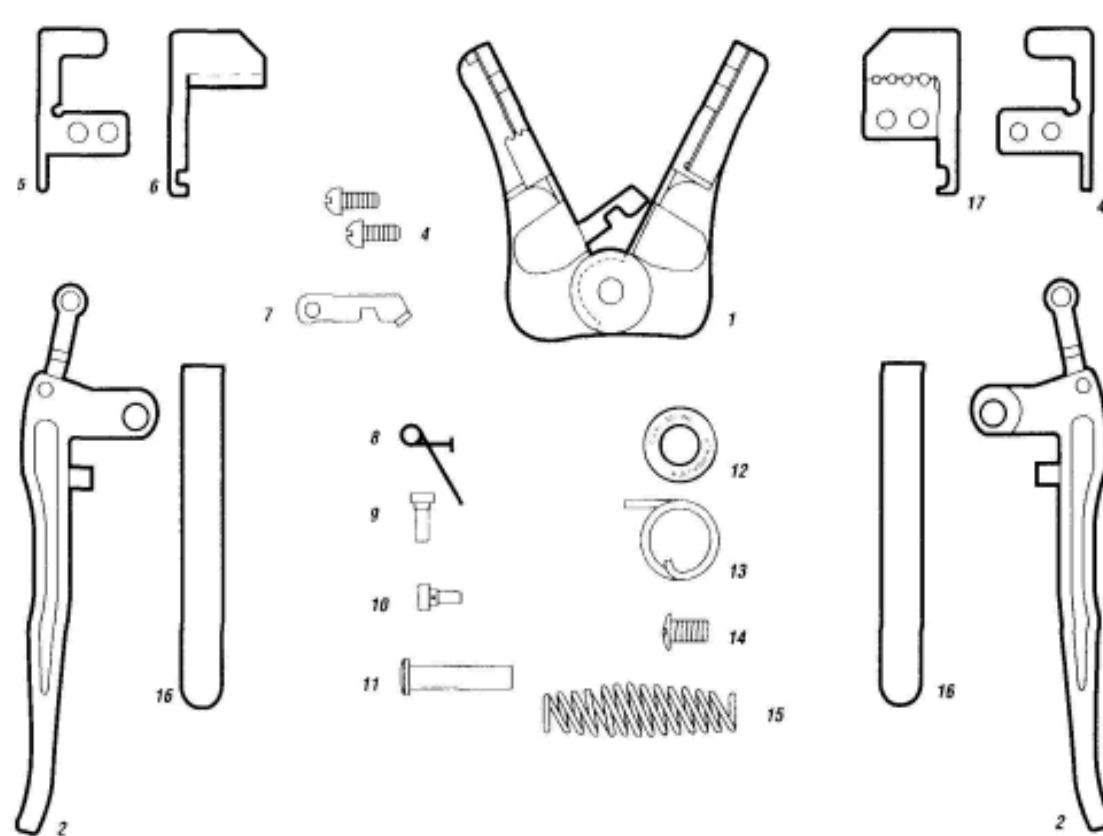


Mil-Aero Wire Processing[Bench Machines](#)[Hand Tools](#)[Ergo-Elite®](#)[T®-Cutter Lite](#)[Stripmaster® & Stripmaster® Lite Wire Strippers](#)[Custom Stripmaster® & Custom Stripmaster® Lite Wire Strippers](#)[Slim Electronics Screwdrivers](#)[Pneumatic Wire Stripper](#)[Wire Strippers](#)[Heat Guns](#)[Accessories](#)**Stripmaster® Lite Repair Parts List****Cat. No. 45-671, 45-672**

Please contact the factory for parts and repairs. Always include complete description, part number, and name plate data.

Parts List

Item	# Reqd	Description	Part No.
1	1	Jaw Sub-Assembly	LB-1211
2	1	Handle L Hand	LB-0950
3	1	Handle R Hand	LB-0949
4	4	Gripper Screw (#5-40 x .312 w/Lockwasher)	LB-1350
5	2	Guide Plate	LB-0891
6	1	Gripper Moving	K-6603
7	1	Latch	LB-0938
8	1	Latch Spring	LB-0944
9	1	Latch Catch, Stud	LB-0894
10	1	Latch Stud	LB-0939
11	1	Pivot Stud	LB-0940
12	1	Spring Cover	LB-0941
13	1	Jaw Spring	LB-0943
14	1	Camgrip Screw	LB-0893
15	1	Handle Spring	LB-0942
16	2	Handle Sleeve (Blue)	LA-4065
17	1	Blade Set (Paired)	See Table

Stripmaster® Lite and Knife-Type Blades

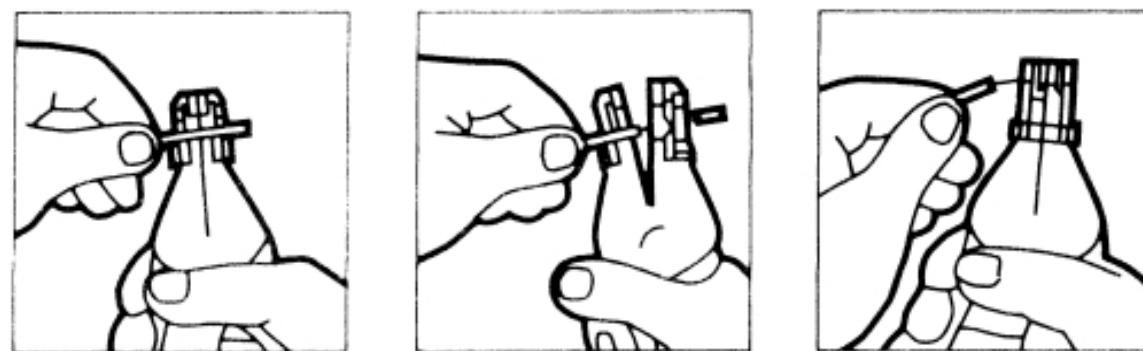
Cat. #	Blade	Insulation Type	Wire Size / Cutting Hole Diameter							
			16	18	20	22	24	26	28	30
45-671	LB-1001	Gen. Pur.	0.072	0.061	0.048	0.039				
45-672	LB-1002	Gen. Pur.					0.032	0.026	0.021	0.016

Optional Accessories

Description	Cat. #
Adjustable Wire Stop	LB-1195

Caution

Never plug or mechanically gauge blade holes!

Operating Instructions

1. Insert wire between gripper jaws and position in proper blade hole.
2. Squeeze handles firmly with wire centered in hole to cut insulation.
3. Release pressure on handles and remove wire. Tool ready for next wire.
4. To ensure blade calibration, depress handles until blade surfaces mate. Tighten hex nuts (10 in./lbs). Sample strip. Repeat if necessary.

Maintenance

1. Keep tool clean and free from debris.
2. Insulation material may be removed by washing in cleaning solvent.
3. Apply a light oil to moving parts.

IDEAL INDUSTRIES, INC., Sycamore, IL 60178 U.S.A.
 in Canada: IDEAL, Ajax, Ontario L1S 2E1
www.idealindustries.com