



IDEAL®

Mil-Aero PRECISION WIRE PROCESSING



The way every job should be.

Performance

Every day, you count on your wire processing tools to be reliable and accurate. We go to great lengths to make sure each of our products uphold those standards and remains simple and easy-to-use. After all, you should be spending your time concentrating on the job, not the tools.

Product

When you buy IDEAL, you get more than a quality instrument. Service is part of all products bearing the IDEAL logo. We provide a free wire application service to help you decide which of our products will solve your needs. We also offer helpful seminars and in-field training to help you get the most from our tools.

Pride

We develop solutions to meet Mil-spec wire stripping requirements. We continue to work with aerospace engineers to develop solutions for their demanding wire stripping needs. That dedication will always be a part of the IDEAL name.

Outstanding products, comprehensive technical service and the trusted name of IDEAL — The way every job should be.





Table of Contents

Stripmaster® 950 Wire Stripper	6-7
STP Stripping System	8-9
Ringer™ Shielded Cable Strippers.....	10-11
STP Jacket Remover.....	12
Pneumatic Wire Strippers	13
Heat Elite Heat Guns	14-15
Wire Stripping Basics	16
Custom Stripmaster® Wire Strippers Basics	17
Custom Stripmaster® Wire Strippers.....	18-20
Custom Stripmaster® Lite Wire Strippers.....	18
MIL-Spec Cable to MIL-Spec Primary Wire Cross	21
MIL-Spec Application Guide	22-24
Calibration Procedures.....	25
Accessories	26-27
Ergo-Elite Stripmaster® Wire Stripper	28-29
Stripmaster® and Stripmaster® Lite Wire Strippers ...	30-32
Wire Strippers	34-35
Hand Tools	35
Alphabetical Index	36
Catalog Number Index.....	37-38
Free Application Engineering Service	39

PRECISION



Selecting the right wire or cable to meet the design specifications in manufacturing any electrical or electronic assembly is only the first step. Just as important as choosing the proper wire or cable is how that wire or cable is prepared. Faulty stripping, cutting and crimping must be eliminated to achieve maximum performance from the wire or cable. In production situations precision wire preparation is essential. The key to consistent precision wire preparation lies in the tool used. That's where this guide can be of value to you.

This guide gives you basic information on common wire preparation problems and how to eliminate them by choosing the right IDEAL tool for each job. IDEAL offers the broadest range of wire stripping tools available. IDEAL is the one source for wire preparation tools and equipment.

This guide is geared to in-plant training of production foremen, tool room employees, calibration inspectors and assembly personnel.

RELIABILITY



PRODUCTIVITY

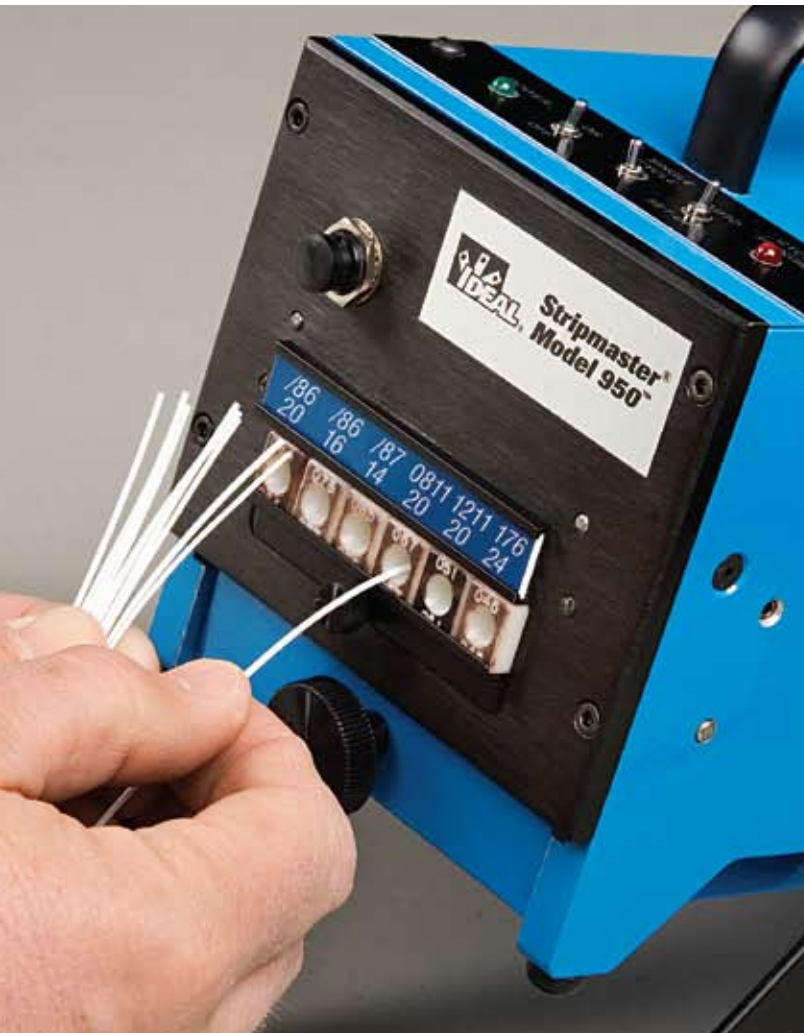
Wire Diameters Affect Stripping Requirements

A variety of factors determine just how precisely a wire can be stripped. Among these are gauge, insulation type, concentricity and others. It would seem that common wire gauges would have equal measurements. This is a common misconception. Wire conductor diameters can differ just as insulation thicknesses vary. Both factors are important when selecting the proper blades, wire stripper and stripping method of specific applications. The type of wire to be stripped and the type of stripping required, non-precision or precision, will help determine the stripping tool and/or method to be employed for optimum results.



ERGONOMICS

Stripmaster® 950 Wire Stripper



Our top engineers designed this electrically operated, pneumatic precision wire stripping unit to get the job done right...every time. It accommodates six different wire diameters without switching tools or blade sets, making it one of the most versatile wire strippers IDEAL offers.

- Pneumatic precision wire stripper automatically strips 30 AWG through 10 AWG solid or stranded wire
- Accommodates six different wire diameters without switching tool or blade sets
- Electronic triggering for easy and accurate strips
- Meets military and commercial wire stripping specifications
- Replaceable wire guides and blades for maximum flexibility
- Controls strip length accurately from .125 in. min. to .630 in. max.
- Enclosed blade and wire stripping area
- Individual adjustable strip lengths for each port
- Eliminate repetitive motion disorders



Customized identification label configured to each customers requirements.

Description	Cat. No.
Stripmaster® with individually adjustable strip lengths per stripping hole*	45-950
Stripmaster® with external adjustment knob for common strip length adjustment*	45-950-1
Stripmaster® with permanent gripper assembly installed	45-954
Accessories	
Standard blade and bushings	Consult Factory
Permanent Gripper Assembly	45-950-4
Air filter/regulator	45-906
220V, 50Hz Transformer	45-951
T®-Cutter Lite Wire Cutter	45-260
Hex Key Set	691.020
12V Adapter (transformer)	K-7156

* 3 ft. of wire for each wire stripping hole must be supplied at time of order.

Technical Data	
Strip Lengths:	Minimum: .125 in. (3mm) Maximum: .630 in. (16mm)
Capacities:	Minimum: 30 AWG (.05mm ²) Maximum: 10 AWG (6.0mm ²)
Accuracy:	Meets Military Specifications in most applications.
Voltage:	12V required for operation. 120V/60Hz transformer supplied as standard. For 220V/50Hz application, order 45-951 transformer.
Air Pressure:	65 PSI max.
Air Filter:	Recommended, but not required.
Blade Type:	Heat treated steel knife or die-type blades are available.
Guide Bushings:	Precision molded and machined Delrin.
Dimensions:	Width: 6.6 in. (168mm) Depth: 11.3 in. (287mm) Height: 6.8 in. (173mm)
Weight:	13 lbs. (5.90 Kgs)
Warranty:	1-year limited warranty



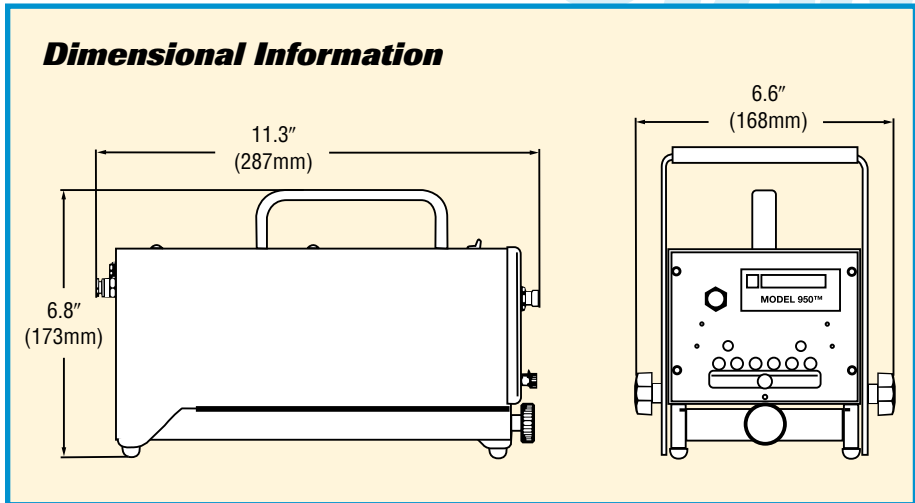
Wire guide bushings are sized to the outside diameter of the wire.

Production Rates		
Production Conditions	Pieces/Hour	Hours/100 Pcs.
Short Strip 1/8 in. (3mm)	2,200–3,000	.033–.040
Medium Strip 1/4 in. (6mm)	2,000–2,200	.046–.056
Long Strip 1/2 in. (13mm)	1,500–1,700	.059–.067



Die-type blades help provide proper alignment and a quality strip.

AN AEROSPACE STANDARD



Permanent Gripper Assembly (45-950-4)

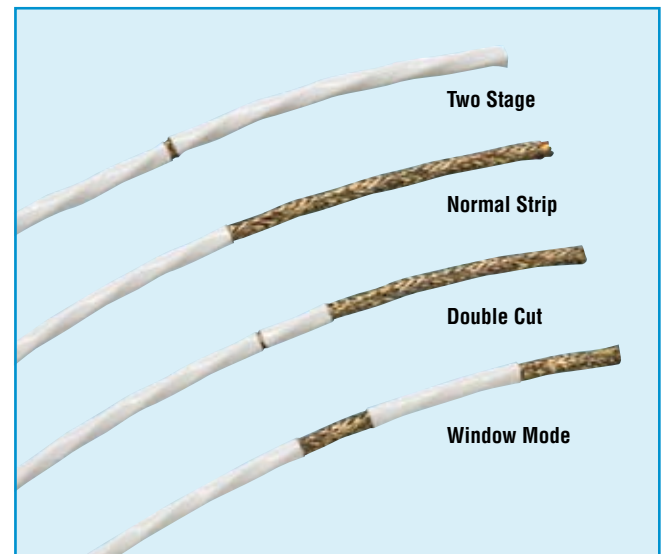
A permanent gripper (available for either the 45-950 or the 45-950-1) helps with the hard to grip wires and provides longer gripper life in high production usage. Permanent grippers require a factory installed custom face plate with grippers sized to match your specific wire sizes, and must be specified at time of order.

STP Stripping System

- Programmable Shielded Twisted Pair cable stripping system meets strict tolerances
- Hot-blade thermal cable stripping system adjusts to protect shielded cable for accurate stripping every time
- Automatically adjusts for cable up to .3125 in. (7.9mm) diameter
- Cycles in as little as six seconds
- Stores up to 500 batch programs
- Fits in a 24 in. workspace



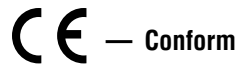
Precision Stripping Applications



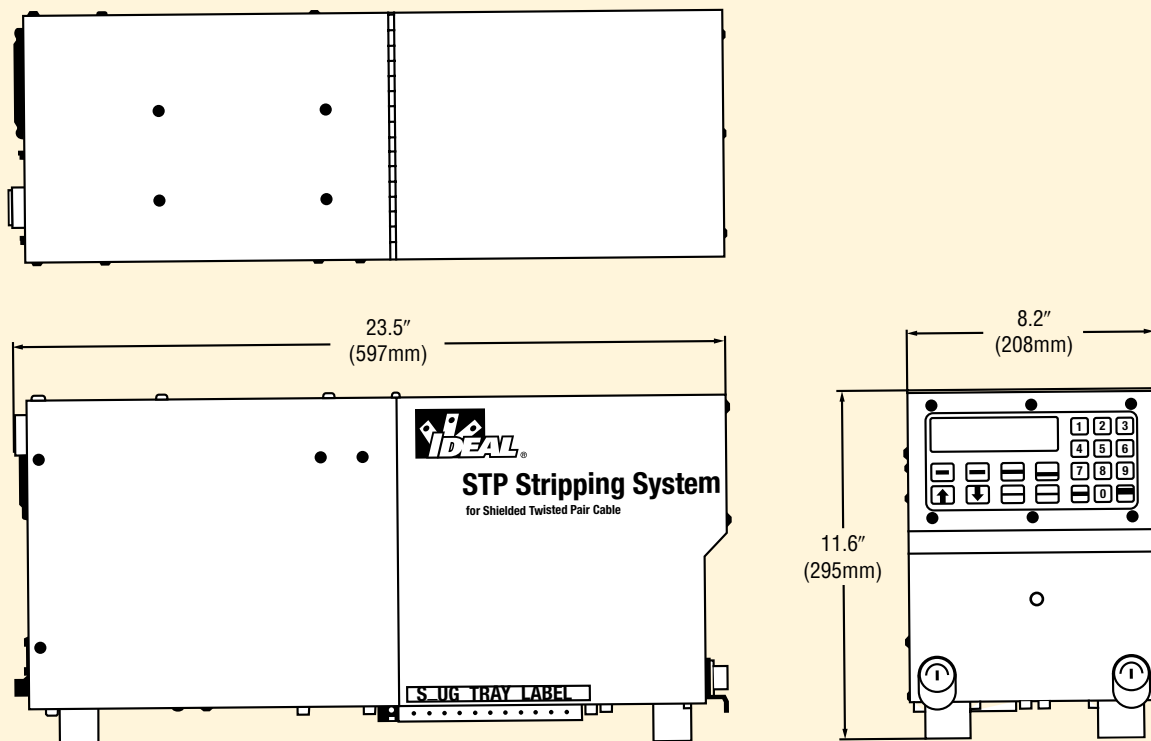
Description	Cat. No.
Shielded Twisted Pair Cable Stripping System w/one set of blades, one set of front and rear gripper pads, power cord, 6 ft. air hose, slug ejector tray, T [®] -Cutter Lite Wire Cutter, keys and operation manual	
STP, 115 VAC, 60 Hz 4A	45-930
STP, 230 VAC, 50 Hz 2A	45-935
Air Regulator	45-906
Replacement Blade Set	K-7763
Replacement Front Grip Pad (two required)	LA-2408
Replacement Standard Rear Grip Pad (six required)	LA-2414
Replacement Optional Firm Rear Grip Pad (six required)	LA-2808
Gripper Slug Remover	45-333
T [®] -Cutter Lite Wire Cutter	45-260
Mounting Bracket	K-6809

- The STP automatically adjusts to the size of cable being stripped and readily accepts cable diameters up to a maximum of 0.3125 in. (7.9mm).
- Strip lengths are adjustable in inches or millimeters from a minimum of 1.25 in. to a maximum of 6.00 in. (31.7mm to 152.4mm).
- Cycle times may be completed in as little as six seconds.
- User-friendly keypad emits audible tone and provides tactile feedback.
- Large, easy-to-read display shows program mode, operating functions, input prompts and service message.
- Stores up to 500 batch programs for frequently run jobs in non-volatile memory, optimizing setup and production.
- Password Security System protects against program modification.
- Safety interlock disconnects electrical power if machine is opened during operation.
- Keyed locking mechanism inhibits unauthorized entry into the machine.
- Developed for bench-top use, the STP Stripping System fits on a 24 in. deep workspace.

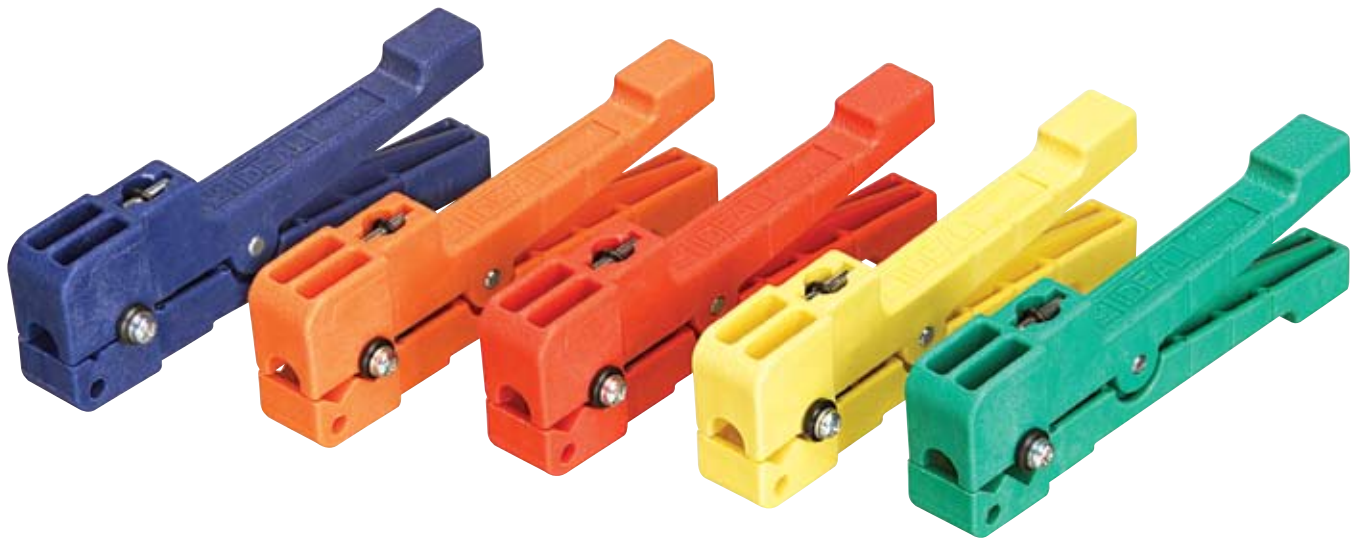
Technical Data	
Strip Lengths:	Minimum: 1.25 in. (31.7mm) Maximum: 6.00 in. (152.4mm)
Strip Diameter Range:	Minimum: 0.06 in. (1.5mm) Maximum: 0.3125 in. (7.9mm)
Voltage:	Selectable power supply is equipped with an EIC power line receptacle and can easily switch between 110–120V 60Hz to 220–240V 50Hz.
Air Requirements:	Air must be clean, dry and pressure regulated to 100 PSI. An optional air regulator (IDEAL Part No. 45-906) is available.
Blade Type:	Thermal/mechanical
Dimensions:	Width: 10.5 in. (261mm) Depth: 23.5 in. (597mm) Height: 12.25 in. (318mm)
Weight:	65 lbs. (29.5 Kgs)
Warranty:	1-year limited warranty



Dimensional Information



Ringer™ Shielded Cable Strippers



Precision stripping for most non-round shielded cable and other outer cable jackets, including extruded Teflon® insulations.

- Spring-loaded cutting head holds cable with consistently accurate tension, removing any need for adjustment.
- V-notch jaw automatically positions and holds cable, increasing cutting accuracy.
- Fixed blades are sized to insulation thickness, preventing inaccurate cuts, and stainless steel construction assures long life.
- Wire guide roller maintains stripping head alignment, producing a square, clean cut.
- Not recommended for layered wrapped cable constructions.

Description	Blade	Color	Cat. No.
Cable Stripper, 5 Mil insulation, includes Blade	K-6492	(Orange)	45-401
Cable Stripper, 8-10 Mil insulation, includes Blade	K-6493	(Yellow)	45-402
Cable Stripper, Cable diameters up to 0.12 in.	sold separately	(Blue)	45-400
Cable Stripper, Cable diameters from 0.12 in. to 0.22 in.	sold separately	(Red)	45-403
Cable Stripper, w/"deep V" for cable diameters up to 0.30 in.	sold separately	(Green)	45-404



45-400

For cable diameters up to 0.12 in. Blades sold separately.



45-402

For 8–10 Mil insulation thickness, including Kynar®. Comes with K-6493 blade. Cable diameter from 0.012 in. to 0.22 in.



45-404

With "deep-V" for larger cable diameters; up to 0.30 in. Blades sold separately.



45-401

For 5 Mil insulation thickness, including Kapton®. Comes with K-6492 blade. Cable diameter from 0.012 in. to 0.22 in.



45-403

For cable from 0.012 in. to 0.22 in. diameter. Blades sold separately.

Teflon® and Kapton® are registered trademarks of E.I. duPont de Nemours and Company. Kynar® is a registered trademark of Pennwall.

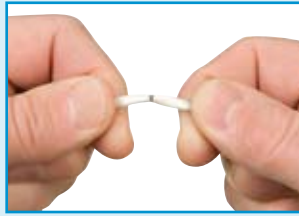
Ringer™ Shielded Cable Strippers

Stripping Applications

Score Cut



Rotate the tool down and away from you. Only two or three revolutions of the tool are usually required to score the insulation.



Remove the tool and bend cable at high spots on the score line, breaking the insulation loose.

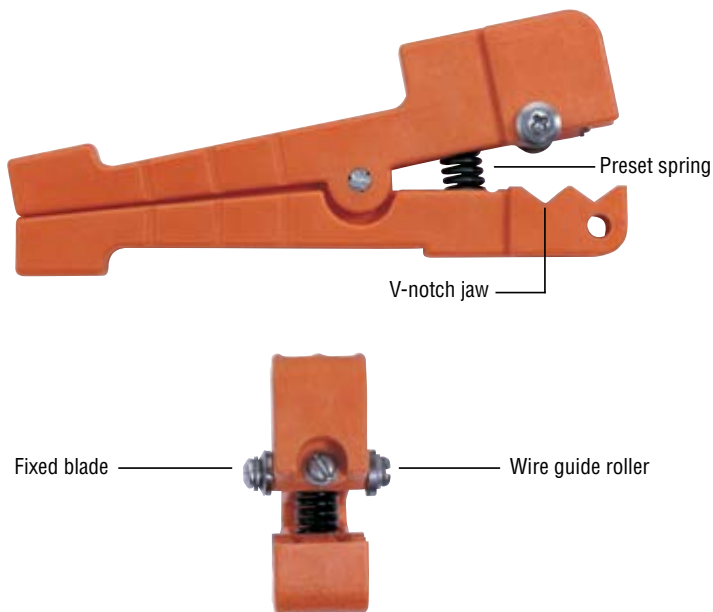
Axial Cut



Use the front blade (sold separately). Can be used for making a lengthwise cut to remove long insulation slugs. Place cable in front notch, press tool head together and pull tool through to end of cable, flex along cut line.



Use IDEAL Gripper™ Slug Remover to grasp slug and pull (sold separately).



Blades – For use with any Ringer™ Shielded Cable Stripper. Select blade with cutting depth less than insulation thickness. Contact IDEAL INDUSTRIES, INC. for FREE Application Engineering Service, blade selection and special stripping requests.



Replacement Blades

Cutting Depth	Cat. No.	Cutting Depth	Cat. No.	Cutting Depth	Cat. No.
.0030 in.	K-6491	.0100 in.	K-6497	.0180 in.	K-6503
.0044 in.	K-6492	.0110 in.	K-6498	.0200 in.	K-6504
.0060 in.	K-6493	.0120 in.	K-6499	.0220 in.	K-6505
.0070 in.	K-6494	.0130 in.	K-6500	.0250 in.	45-2108-1
.0080 in.	K-6495	.0140 in.	K-6501	.0050 in.	45-2780-1
.0090 in.	K-6496	.0160 in.	K-6502	.0054 in.	45-2777-1

Select blade with cutting depth less than insulation thickness.



Wire-Stops

Description	Cat. No.
Up to 2½ in.	LB-825
2½ in. to 5 in.	LB-840



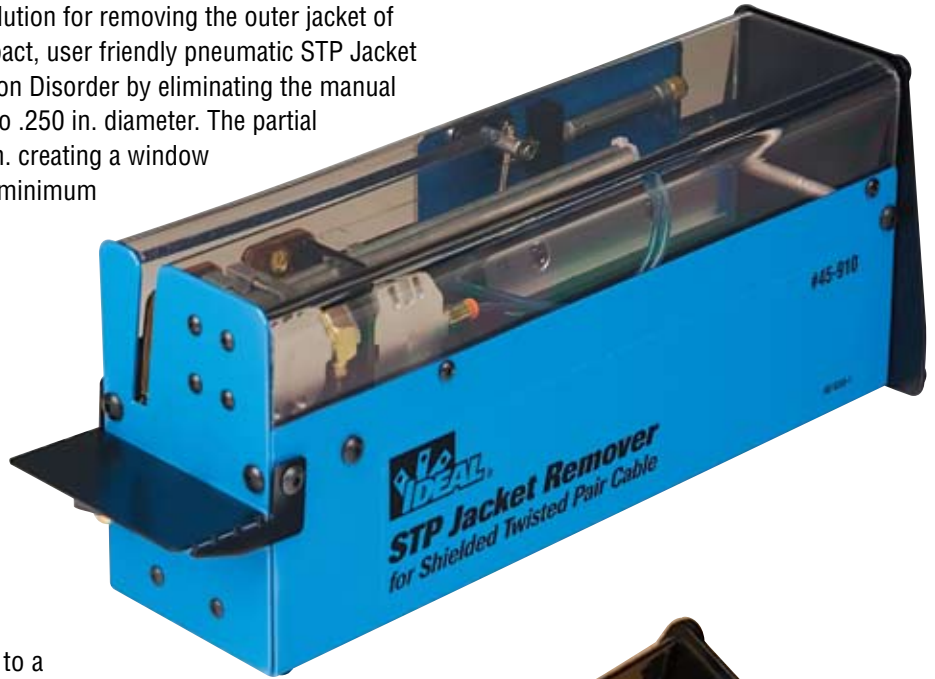
IDEAL Gripper™

Description	Cat. No.
Slug Remover	45-333

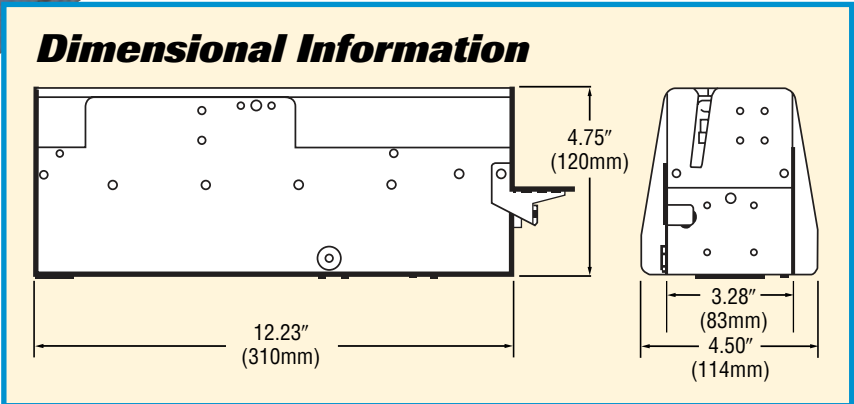
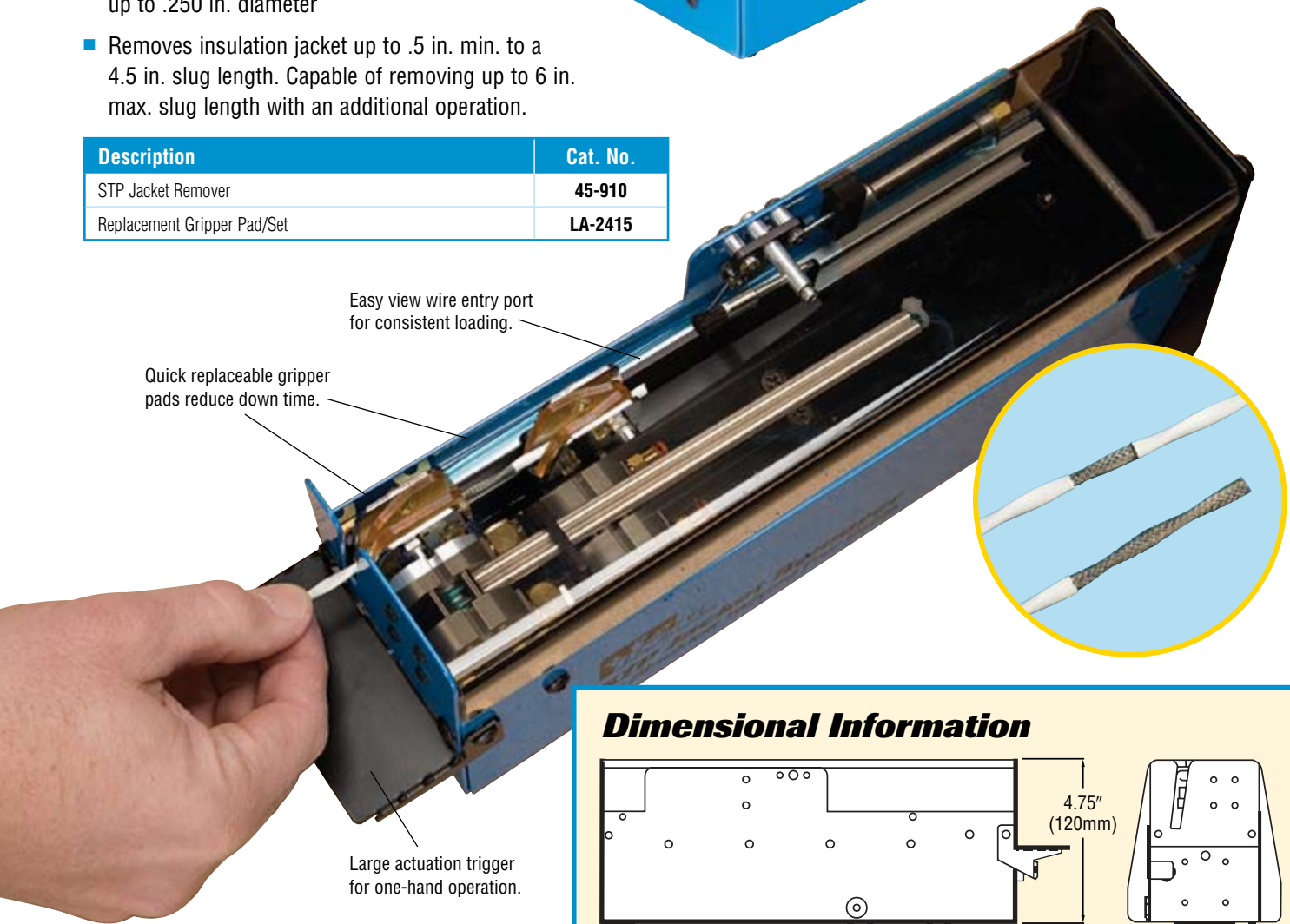
STP Jacket Remover

The STP Jacket Remover offers the perfect solution for removing the outer jacket of Shielded Twisted Pair (STP) Cables. The compact, user friendly pneumatic STP Jacket Remover reduces the effect of Repetitive Motion Disorder by eliminating the manual removal of difficult STP jacket insulations up to .250 in. diameter. The partial strip mode slides the outer jacket up to .250 in. creating a window strip application. Its compact design requires minimum bench space with an option of vertical storage when not in use.

- Designed for removing the outer jacket of Shielded Twisted Pair (STP) cable
- Partial strip mode
- Compact bench machine design
- Easy view wire entry port
- Deep storage tray
- Removes outer jacket insulation up to .250 in. diameter
- Removes insulation jacket up to .5 in. min. to a 4.5 in. slug length. Capable of removing up to 6 in. max. slug length with an additional operation.



Description	Cat. No.
STP Jacket Remover	45-910
Replacement Gripper Pad/Set	LA-2415



Pneumatic Wire Strippers

The versatile and lightweight Pow-R-Lite™ II Pneumatic and Pow-R-Master® II Pneumatic Wire Strippers are designed for operator comfort while supporting a wide range of wire stripping applications. One-Touch lever actuation requires minimal hand pressure reducing the potential for Repetitive Motion Disorder.

- Hand-held pneumatic powered wire strippers for various single wire conductors from 16–30 AWG
- Interchangeable blade offers wire application versatility using either the requirements of the Stripmaster® Die-Type blade series for Mil-Spec wire stripping or the Stripmaster® Knife-Type blade series for general purpose wire stripping applications
- Rotating stripping head for ease of left-hand or right-hand operation
- Adjustable Speed Control allows the operator to regulate the speed of the stripping operation



Description	Cat. No.
Pow-R-Master® II Pneumatic Wire Stripper (blades sold separately)	45-2530
Pow-R-Lite™ II Pneumatic Wire Stripper (blades sold separately)	45-600
Wire Stop (45-2530)	L-5270
Wire Stop (45-600)	LB-1195
Air Regulator (45-2530 & 45-600)	45-906

Technical Information	45-2530	45-600
Strip Lengths: Minimum:	1/8 in.	
Maximum:	1/2 in.	
Dimensions: Length:	6 5/8 in.	7 7/8 in.
Width:	2 in. dia.	1 1/2 in.
Height:	2 5/8 in.	2 1/2 in.
Weight:	1.75 lb.	1.65 lb.
Air Requirements:	0.725 SCFM	0.545 SCFM
PSI Requirements:	80–120 PSI	
Air Hose Length:	9 ft.	
Warranty:	1 year limited	



#45-2530
Pow-R-Master® II Pneumatic Wire Stripper uses same blades as Custom Stripmaster® and Stripmaster® Wire Strippers

#45-600
Pow-R-Lite™ II Pneumatic Wire Stripper uses same blades as Custom Stripmaster® Lite and Stripmaster® Lite Wire Strippers

Heat Elite Heat Guns



These IDEAL Heat Guns employ highly useful technical features for limitless applications. Three different heat guns allow users to fit capabilities to their own needs. The Heat Elite has a two-step on/off temperature and airflow control switch for general applications. For more specific temperature control, the Heat Elite Pro features a stepless temperature adjustment dial. And for the greatest level of control, the Heat Elite Plus employs an intelligent LCD digital terminal with seven preset application functions.

- New IDEAL line features three heat guns with different levels of adjustability
- Designed for a variety of applications including shrinkable tubing
- Ergonomic design comfortably distributes weight
- Adjustable temperature ranges as high as 1200° F



The Heat Elite Plus features preset application functions and a programmable temperature range high enough for soldering.

Use with IDEAL Heat-Shrink Tubing. Available in a variety of diameters and lengths.



Thermo-Shrink® Heat Shrink Kit

Kit includes:

- Heat Elite Pro Heat Gun
- Eleven sizes of thin-wall heat shrinkable tubing disks (3/64 in. – 1 in.)
- Small deflector
- Premium T®-Cutter Wire Cutter



Description	Cat. No.
Kit includes: 46-203, 45-223, 46-941 & 46-600 through 46-610	45-007

Heat Elite Heat Gun Kit

- Temperature range — 930°F (500°C)
- Two-step switch for heat and air flow adjustments
- Double-insulated power cord
- Ergonomical distribution of weight



Description	Cat. No.
Heat Elite Kit — Includes 46-202 Heat Gun, 46-941 Small Deflector and 46-954 Wide-Slot Adapter	45-202



Heat Elite Pro Heat Gun Kit

- Temperature range — 180°F – 1020°F (100°C – 550°C)
- Two-step switch for heat and air flow adjustments
- Double-insulated power cord
- Ergonomical distribution of weight
- Comfortable non-slip handle for ease of use
- Potentiometer for infinitely temperature adjustment



Description	Cat. No.
Heat Elite Pro Kit — Includes 46-203 Heat Gun, 46-941 Small Deflector, 46-950 Reduction Adapter and 46-954 Wide-Slot Adapter	46-203



Heat Elite Plus LCD Heat Gun Kit

- Temperature range — 180°F – 1200°F (80°C – 650°C)
- Double-insulated power cord
- Ergonomical distribution of weight
- Comfortable non-slip handle for ease of use
- LCD display with memory functions
- Temperature and airflow adjustments
- Stand-by mode to minimize the energy consumption
- Ceramic heating element ensures long-term coil performance



Description	Cat. No.
Heat Elite Plus LCD Kit — Includes 46-204 Heat Gun, 46-941 Small Deflector, 46-952 Welding Adapter, 46-953 Solder Reflector Adapter, 46-955 Overlap Welding Adapter, 46-956 Pressure Roller	46-204



Heat Gun Accessories



Description	Cat. No.
Small Deflector, 1 1/4 in. diameter (For use with all Heat Elite Heat Guns)	46-941
Reduction Adapter (For use with 46-203 and 46-204)	46-950
Glass Protection Adapter (For use with all Heat Elite Heat Guns)	46-951
Welding Adapter (For use with 46-203 and 46-204)	46-952
Solder Reflector Adapter (For use with 46-204)	46-953
Wide-Slot Adapter (For use with all Heat Elite Heat Guns)	46-954
Overlap Adapter (For use with 46-203 and 46-204)	46-955
Pressure Roller (For use with 46-204)	46-956

Wire Stripping Basics

There are two basic levels of wire stripping—precision and non-precision. The first type, precision wire stripping, is employed where extreme reliability and critical tolerances must be achieved. Aircraft, computers, aerospace, missiles, radar, and guidance systems, and communications systems are examples of products where precision wire stripping is required. In many cases, the military standard is called for. Meeting that standard is rigidly enforced and calls for the highest quality precision wire stripping.

The second, non-precision stripping, is used in the manufacturing of lighting fixtures, electrical appliances, automotive harnesses, etc. Required here are wire strips that assure product reliability and are obtained at a relatively low cost.

For each type of wire stripping and production requirement, the best tool and/or method to get the job done right must be determined.



Custom Stripmaster® Wire Strippers Basics

The first of the “controlled action” hand strippers is the Custom Stripmaster® Wire Stripper. Die-type blades allow this tool to perform precision stripping. The design incorporated a counter-bore hole acting as a support, centering the conductor and preventing the blade cutting surface from contacting the surface of the conductor. Die-type blades are manufactured in matched sets to assure accuracy and precision stripping. The Custom Stripmaster® Wire Stripper has simple, one-squeeze operation. Just insert wire between blades to desired length, squeeze handles and release.

Because of the wide variety of wire used today, there is a great need for “specials”. These can consist of almost any combination of hole sizes with almost any combination of cutting hole and counterbore dimensions.

Contact IDEAL INDUSTRIES, INC. for Free Application Engineering Service.



AN AEROSPACE STANDARD

Custom Stripmaster® Wire Strippers

The Custom Stripmaster® Wire Stripper has set the industry standard in hand-held, precision wire strippers for fast, accurate wire stripping with its one-step, squeeze-action stripping and unique precision blade design.

This light-weight wire stripper, made from sturdy die-cast zinc, is designed for maximum mobility and high productivity in all types of non precision and precision stripping applications.

The Custom Stripmaster® Wire Stripper offers extra leverage with its spring-action mechanical design for reduced operator effort. It can be customized with your choice of gripper pads and blade sets to match your wire stripping requirements.

The comfort grip handles are color-coded to identify the best tool for the application. Red handles are used on frames with the thin stationary gripper pad for larger wire (10–14 AWG). Black handles are used on frames with the thick stationary gripper pad for smaller wire (16–30 AWG). When replacing blades, care must be exercised to put them into the correct frame with the correct gripper set.

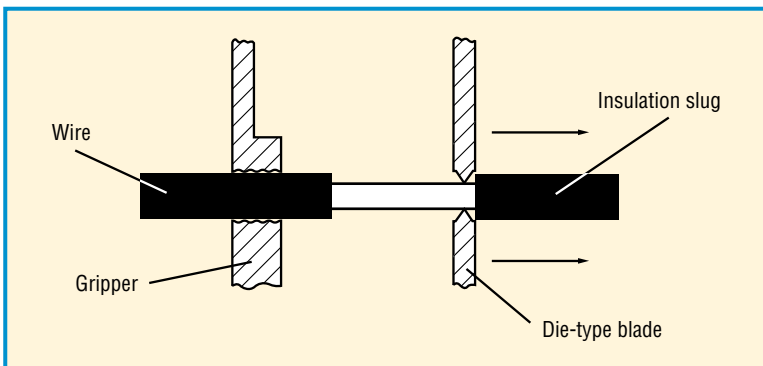
Optional short-stop latch and transparent wire stop increases tool versatility and insures consistent strip lengths.



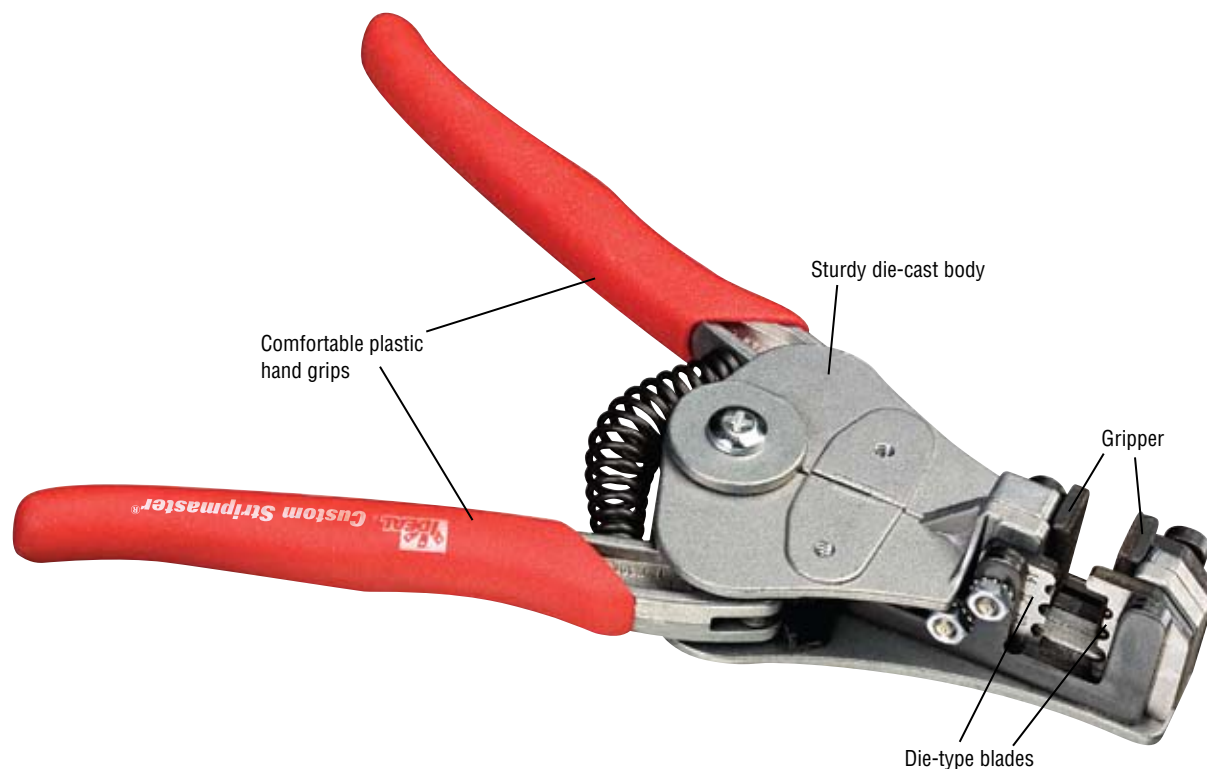
Gripper pads hold the wire securely in a centerline relationship with the blade.



Die-type blades incorporate a counterbored hole sized to the insulation and an inner cutting hole sized to the conductor. This varies depending on insulation type and thickness.



Custom Stripmaster® Wire Strippers



Custom Stripmaster® Lite Wire Strippers

The Custom Stripmaster® Lite Wire Stripper marks the beginning of a new era of light-weight, precision wire strippers designed specially for improved operator comfort.

It utilizes the same type of precision die-blade construction and features an optional short-stop latch and transparent wire stop.

Built of sturdy die-cast zinc, this little stripper weighs 50% less than its full-sized counterparts, and will impress you with both its ease of operation and durable performance.

- At $\frac{3}{4}$'s of the size of the Custom Stripmaster®, its compact size more comfortably fits the human hand. A much shorter stroke is also required for a complete strip, which increases wire stripping productivity.
- Requiring $\frac{1}{3}$ less hand pressure for each wire stripping action.
- Strips 16 to 30 AWG, solid or stranded wire. Choose from a wide selection of precision blade configurations or contact the factory for die-type blades to match your needs.
- Optional short stop latch
- Cushioned comfort-grip handles
- Replaceable grippers

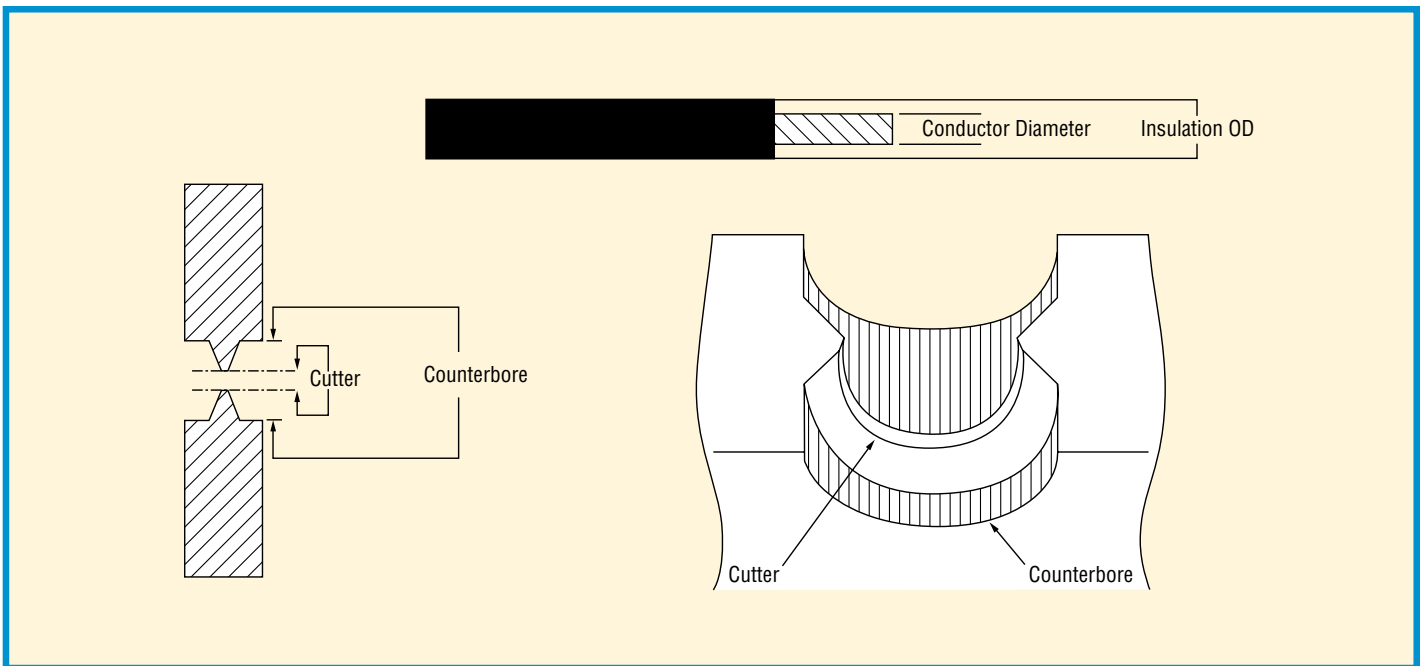


Custom Stripmaster® Wire Strippers

For over sixty years IDEAL INDUSTRIES INC. has been the leader in precision wire stripping. Utilizing die type blades in our Custom Stripmaster®, Custom Stripmaster® Lite Wire Stripper, and our Stripmaster® 45-950 Wire Strippers allow us to offer the best strip available today.

There are two critical components to each opening to strip wire with die type blades, the cutting hole and the counterbore. Cutting holes cut the insulation to be removed and are sized

to be just slightly larger in diameter than the conductor diameter. Counterbores play a very important roll. Counterbores are sized based upon the outside diameter of the finished wire, and are sized to be slightly larger than the outside diameter of the finished wire. Counterbores are necessary to keep proper alignment while the tool actuates, insuring that the user does not scrape, nick or do any other damage to the conductor.



Wire Size AWG									Stripper Cat. No.	Blade Only Cat. No.
26	24	22	20	18	16	14	12	10		
						0.076 0.0935	0.096 0.113	0.119 0.136	45-176	L-5559
0.023 0.039	0.028 0.043	0.034 0.052	0.042 0.0595	0.052 0.070	0.061 0.081				45-177	L-5560
						0.076 0.104	0.096 0.125	0.119 0.144	45-173	L-5562
0.023 0.0465	0.028 0.055	0.034 0.0595	0.042 0.067	0.052 0.0785	0.061 0.089				45-174	L-5563
						0.076 0.113	0.0937 0.138	0.116 0.154	45-170	L-5210
0.022 0.052	0.0292 0.0595	0.035 0.0635	0.042 0.073	0.052 0.086	0.062 0.096				45-171	L-5211

Tolerances: Cutter Dia.: ± .001; Counter-bore Dia.: ± .002
 The 45-170 Series is a Custom Stripmaster® Wire Stripper frame without the short stop latch and wire stop.
 45-631 through 45-641 Custom Stripmaster Lite Wire Stripper include grit-type pads (standard).

45-169 through 45-188 include grit-type pads (standard).
 45-369 through 45-388 include file-type pads.
 45-469 through 45-488 include parallel-type pads.

MIL-Spec Application Guide

Wire Specification	Ergo-Elite, Custom Stripmaster®			Custom Stripmaster® Lite		
	Hand Tool w/Blade	Replacement Blade Only	Wire Range AWG	Hand Tool w/Blade	Replacement Blade Only	Wire Range AWG
MIL-W-81044/4/5/6	45-170	L-5210	10-14	45-632 45-633	LB-912 LB-913	16-22 20-26
MIL-W-5086/1/7	45-171	L-5211	16-26	45-634	LB-914	24-30
MIL-W-81044/8/9/10	45-173 45-174 45-175 55-2901*	L-5662 L-5563 L-5564 55-2901-1*	10-14 16-26 26-30 16-26	N/A 45-635 45-637	N/A LB-915 LB-917	N/A 16-22 24-30
MIL-W-16878/5	45-174	L-5563	16-26	45-635	LB-915	16-22
MIL-W-81381/3/4	45-175	L-5564	26-30	45-637	LB-917	24-30
MIL-W-22759/32/33/44/45/46	45-1987 55-1987* 45-1654	45-1987-1 55-1987-1* 45-1654-1	16-26 16-26 16-26	45-2133 45-2118 45-2132 45-2114	45-2133-1 45-2118-1 45-2132-1 45-2114-1	16-24 20-26 16-24 20-26
MIL-W-25038/3	55-2901*	55-2901-1*	16-22			
MIL-W-81044/11/12/13 MIL-W-22759/34/35/41/42/43	45-1611 45-2500 45-1987 55-1987* 45-178	45-1611-1 45-2500-1 45-1987-1 55-1987-1* L-5561	10-14 10-14 16-26 16-26 26-30	N/A N/A 45-2133 45-2118 45-640	N/A N/A 45-2133-1 45-2118-1 LB-920	N/A N/A 16-24 20-26 24-30
Raychem 44A021X, 44/051X	45-176	L-5559	10-14	N/A	N/A	N/A
MIL-W-16878/4	45-1611	45-1611-1	10-14	N/A	N/A	N/A
MIL-W-22759/11/12/22/23	45-177 55-5560* 45-178	L-5560 55-5560-1* L-5561	16-26 16-26 26-30	45-2138 45-2139 45-640	45-2138-1 45-2139-1 LB-920	16-24 18-26 24-30
MIL-W-81044/16/17	45-1611 45-1610	45-1611-1 45-1610-1	10-14 16-26	N/A N/A 45-2112 45-2131	N/A N/A 45-2112-1 45-2131-1	N/A N/A 20-26 16-24
MIL-W-81381/1/2/6/7/8/9/10/17/21	45-1609 45-1551 45-178	45-1609-1 45-1551-1 L-5561	10-14 16-26 26-30	N/A 45-2612 45-2125 45-640	N/A 45-2612-1 45-2125-1 LB-920	N/A 16-24 20-26 24-30
MIL-W-81381/11/12/13/14/22	45-1608 45-1654 45-178	45-1608-1 45-1654-1 L-5561	10-14 16-26 26-30	N/A 45-2114 45-2132 45-640	N/A 45-2114-1 45-2132-1 LB-920	N/A 20-26 16-24 24-30
MIL-W-22759/18/19	45-1608 45-1551	45-1608-1 45-1551-1	10-14 16-26	N/A 45-2612 45-2125	N/A 45-2612-1 45-2125-1	N/A 16-24 20-26
MIL-W-81381/17/21	45-1523 45-1672 45-1633 55-1633*	45-1523-1 45-1672-1 45-1633-1 55-1633-1*	16-26 16-26 16-26 16-26	45-2120 45-2121 N/A N/A	45-2120-1 45-2121-1 N/A N/A	20-26 16-24 N/A N/A
MIL-W-81381/18/19/20	46-1609 45-1672 45-1551	45-1609-1 45-1672-1 45-1551-1	10-14 16-26 16-26	N/A 45-2612 45-2125	N/A 45-2612-1 45-2125-1	N/A 16-24 20-26

* Note: 55-Series frames or replacement blades are not interchangeable with the 45-Series tools.

Continued on Page 22

MIL-Spec Application Guide (continued)

Wire Specification	Ergo-Elite, Custom Stripmaster®			Custom Stripmaster® Lite		
	Hand Tool w/Blade	Replacement Blade Only	Wire Range AWG	Hand Tool w/Blade	Replacement Blade Only	Wire Range AWG
MIL-W-22759/16/17	45-1611 45-1987 55-1987*	45-1611-1 45-1987-1 55-1987-1*	10-14 16-26 16-26	N/A 45-2133 45-2118	N/A 45-2133-1 45-2118-1	N/A 16-24 20-26
MIL-W-22759/7/8	55-1500*	55-1500-1*	16-22	N/A	N/A	N/A
MIL-W-5086 TYPE I MIL-W-5086 TYPE II	45-1192 45-1159 45-1302	45-1192-1 45-1159-1 45-1302-1	8-12 10-14 16-22	N/A N/A N/A	N/A N/A N/A	N/A N/A N/A
MIL-W-24640/19/22/23/24	45-1957	45-1957-1	14-22	N/A	N/A	N/A
MIL-W-85485/5/6/7/8	45-1925 45-1924	45-1925-1 45-1924-1	10-14 16-24	N/A N/A	N/A N/A	N/A N/A
MIL-W-85485/9/10/11/12	45-1611	45-1611-1	10-14	N/A	N/A	N/A
MIL-W-85485/9/10	45-1610	45-1610-1	16-26	45-2131	45-2131-1	16-24
BMS13-48 TYPES 1-7, 25, 26, 30 (6mil Wall Thickness)	45-1551 45-2500 55-1987*	45-1551-1 45-2500-1 55-1987-1*	16-26 10-14 16-26	45-2612	45-2612-1	16-24
BMS13-48 TYPES 10-14, 27, 28, 31, 32, 35, 36 (8mil Wall Thickness)	45-1654 45-2500 45-1611 55-1987*	45-1654-1 45-2500-1 45-1611-1 55-1987-1*	16-26 10-14 10-14 16-26	45-2132	45-2132-1	16-24
BMS13-48 TYPES 8, 9, 15, 23, 24 (10mil Wall Thickness)	45-1987 45-2500 45-1611 55-1987*	45-1987-1 45-2500-1 45-1611-1 55-1987-1*	16-26 10-14 10-14 16-26	45-2133	45-2133-1	16-24
BMS13-60 TYPE 1-6, 19-21, 23-27, 33-34	45-2541 45-2543 55-2543*	45-2541-1 45-2543-1 55-2543-1*	10-14 16-24 16-24	N/A 45-2697	N/A 45-2697-1	N/A 16-24
BMS13-60 TYPE 12-18, 28-32	45-2542 45-2544	45-2542-1 45-2544-1	10-14 16-24	N/A N/A	N/A N/A	N/A N/A
BMS13-60 TYPE 7-12	45-2565 45-2564 55-2564*	45-2565-1 45-2564-1 55-2564-1*	10-14 16-26 16-26	N/A N/A	N/A N/A	N/A N/A
BMS13-60 TYPE 13-18, 28-32	45-2686	45-2686-1	16-24	45-2698	45-2698-1	16-24
BMS13-78	55-2933*	55-2933-1*	16-22			
BMS13-80	55-2934*	55-2934-1*	22-26			
MIL-W-22759/80/81/82/91/92	45-2542 45-2544 55-2693*	45-2542-1 45-2544-1 55-2693-1*	10-14 16-24 16-26	N/A 45-2693 45-2692	N/A 45-2693-1 45-2692-1	N/A 16-22 20-26
MIL- W-22759/83/84/85/86/87/88/89/90	45-2541 45-2543 45-2618 55-2685*	45-2541-1 45-2543-1 45-2618-1 55-2685-1*	10-14 16-24 16-26 16-26	N/A 45-2685 45-2799	N/A 45-2685-1 45-2799-1	N/A 16-24 16-24
5 MDI AIRFRAME TYPE A&B	45-2691	45-2691-1	10-14	N/A 45-2685	N/A 45-2685-1	N/A 16-24
5MDI HOOK-UP TYPE C	45-2694	45-2694-1	10-14	N/A 45-2693 45-2692	N/A 45-2693-1 45-2692-1	N/A 16-22 20-26

*Note: 55-Series frames or replacement blades are not interchangeable with the 45-Series tools.

Continued on Page 23

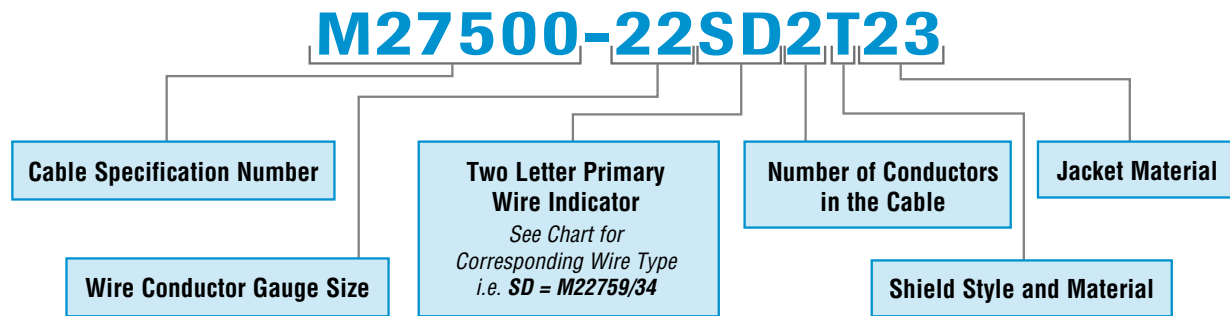
MIL-Spec Application Guide (continued)

Wire Specification	Ergo-Elite, Custom Stripmaster®			Custom Stripmaster® Lite		
	Hand Tool w/Blade	Replacement Blade Only	Wire Range AWG	Hand Tool w/Blade	Replacement Blade Only	Wire Range AWG
AEP System 2112	55-2903* 45-1987	55-2903-1* 45-1987-1	16-24 16-26			
AD, DR	45-2824 45-2825	45-2824-1 45-2825-1	16-26 10-14	N/A N/A	N/A N/A	N/A N/A
AK	45-1513	45-1513-1	16-26	45-2128 45-2129	45-2128-1 45-2129-1	16-22 20-26
AKA, AKB	45-1654 45-171 45-1608 45-170	45-1654-1 L-5211 45-1608-1 L-5210	16-26 16-26 10-14 10-14	45-2132 45-632 N/A N/A	45-2132-1 LB-912 N/A N/A	16-24 16-22 N/A N/A
BE, DE	45-171 45-170	L-5211 L-5210	16-26 10-14	45-632	LB-912	16-22
BF, CF, DK	45-1773 45-1774 55-1773*	45-1773-1 45-1774-1 55-1773-1*	18-24 12-14 16-26	45-2126 45-2127	45-2126-1 45-2127-1	16-22 20-26
DL	55-2905*	55-2905-1*	16-22			
CF, DK, DL, DM,	45-1939	45-1939-1	10-14	N/A	N/A	N/A
DM	45-2811	45-2811-1	16-24			
PAN 6411 DP 002 TO 012	45-2801	45-1773-1	16-24	45-2126 45-2127	45-2126-1 45-2127-1	16-22 20-26
PAN 6411 DP 020 & 030	45-2802	45-1774-1	12-14	N/A	N/A	N/A
JN 1007 CH 002 TO 012	45-2775 55-2775*	45-2775-1 55-2775-1*	16-24 16-24			
JN 1007 CH 020 TO 030	45-2776	45-2776-1	12-14			
PAN 6429 BE 002 TO 006	45-171	L-5211	16-24	45-632	LB-912	16-22
PAN 6420 YR 004 TO 006	55-2903*	55-2903-1*	16-26			
PAN 6588TW002	55-2775*	55-2775-1*	16-24			

*Note: 55-Series frames or replacement blades are not interchangeable with the 45-Series tools.

MIL-Spec Cable to MIL-Spec Primary Wire Cross

Many manufacturers and wire harness projects designed for Mil Spec work use cable. The most recognized cable standard is M27500. This chart will help identify the primary wires used for each type of cable. Once the primary wires are identified please refer to the Mil Spec Reference Chart for the proper Custom Stripmaster®, Custom Stripmaster® Lite or Ergo-Elite v® Wire Strippers.



Symbol Sequence				Specification Sequence			
A	MIL-W-5086/1	NK	MIL-W-81381/21	MIL-W-5086/1	A	MIL-W-22759/43	SP
AA	MIL-W-5086/5	NL	MIL-W-81381/22	MIL-W-5086/2	B	MIL-W-22759/44	SR
AB	MIL-W-5086/6	P	MIL-W-5086/4	MIL-W-5086/3	C	MIL-W-22759/45	SS
AD	MIL-W-5086/7	RA	MIL-W-22759/3	MIL-W-5086/4	P	MIL-W-22759/46	ST
B	MIL-W-5086/2	RB	MIL-W-22759/4	MIL-W-5086/5	AA	MIL-W-22759/80	WB
C	MIL-W-5086/3	RC	MIL-W-22759/11	MIL-W-5086/6	AB	MIL-W-22759/81	WC
CA	MIL-W-22759/13	RE	MIL-W-22759/12	MIL-W-5086/7	AD	MIL-W-22759/82	WE
CB	MIL-W-22759/14	SA	MIL-W-22759/7	MIL-W-8777, MS25471	H	MIL-W-22759/83	WF
CC	MIL-W-22759/15	SB	MIL-W-22759/32	MIL-W-8777, MS27110	F	MIL-W-22759/84	WG
E	MIL-W-22759/2	SC	MIL-W-22759/33	MIL-W-22759/1	EA	MIL-W-22759/85	WH
EA	MIL-W-22759/1	SD	MIL-W-22759/34	MIL-W-22759/2	E	MIL-W-22759/86	WJ
F	MIL-W-8777, MS27110	SE	MIL-W-22759/35	MIL-W-22759/3	RA	MIL-W-22759/87	WK
H	MIL-W-8777, MS25471	SM	MIL-W-22759/41	MIL-W-22759/4	RB	MIL-W-22759/88	WL
JA	MIL-W-25038/1	SN	MIL-W-22759/42	MIL-W-22759/5	VA	MIL-W-22759/89	WM
JB	MIL-W-22759/28	SP	MIL-W-22759/43	MIL-W-22759/6	WA	MIL-W-22759/90	WN
JC	MIL-W-22759/29	SR	MIL-W-22759/44	MIL-W-22759/7	SA	MIL-W-22759/91	WP
JD	MIL-W-22759/30	SS	MIL-W-22759/45	MIL-W-22759/8	TA	MIL-W-22759/92	WR
JE	MIL-W-22759/31	ST	MIL-W-22759/46	MIL-W-22759/9	LE	MIL-W-25038/1	JA
JF	MIL-W-25038/3	TA	MIL-W-22759/8	MIL-W-22759/10	LH	MIL-W-25038/3	JF
LE	MIL-W-22759/9	TE	MIL-W-22759/16	MIL-W-22759/11	RC	MIL-W-81044/5	MD
LH	MIL-W-22759/10	TF	MIL-W-22759/17	MIL-W-22759/12	RE	MIL-W-81044/6	ME
MD	MIL-W-81044/5	TG	MIL-W-22759/18	MIL-W-22759/13	CA	MIL-W-81044/7	MF
ME	MIL-W-81044/6	TH	MIL-W-22759/19	MIL-W-22759/14	CB	MIL-W-81044/8	MG
MF	MIL-W-81044/7	TK	MIL-W-22759/20	MIL-W-22759/15	CC	MIL-W-81044/9	MH
MG	MIL-W-81044/8	TL	MIL-W-22759/21	MIL-W-22759/16	TE	MIL-W-81044/10	MJ
MH	MIL-W-81044/9	TM	MIL-W-22759/22	MIL-W-22759/17	TF	MIL-W-81044/11	MK
MJ	MIL-W-81044/10	TN	MIL-W-22759/23	MIL-W-22759/18	TG	MIL-W-81044/12	ML
MK	MIL-W-81044/11	VA	MIL-W-22759/5	MIL-W-22759/19	TH	MIL-W-81044/13	MM
ML	MIL-W-81044/12	WA	MIL-W-22759/6	MIL-W-22759/20	TK	MIL-W-81381/7	MR
MM	MIL-W-81044/13	WB	MIL-W-22759/80	MIL-W-22759/21	TL	MIL-W-81381/8	MS
MR	MIL-W-81381/7	WC	MIL-W-22759/81	MIL-W-22759/22	TM	MIL-W-81381/9	MT
MS	MIL-W-81381/8	WE	MIL-W-22759/82	MIL-W-22759/23	TN	MIL-W-81381/10	MV
MT	MIL-W-81381/9	WF	MIL-W-22759/83	MIL-W-22759/28	JB	MIL-W-81381/11	MW
MV	MIL-W-81381/10	WG	MIL-W-22759/84	MIL-W-22759/29	JC	MIL-W-81381/12	MY
MW	MIL-W-81381/11	WH	MIL-W-22759/85	MIL-W-22759/30	JD	MIL-W-81381/13	NA
MY	MIL-W-81381/12	WJ	MIL-W-22759/86	MIL-W-22759/31	JE	MIL-W-81381/14	NB
NA	MIL-W-81381/13	WK	MIL-W-22759/87	MIL-W-22759/32	SB	MIL-W-81381/17	NE
NB	MIL-W-81381/14	WL	MIL-W-22759/88	MIL-W-22759/33	SC	MIL-W-81381/18	NF
NE	MIL-W-81381/17	WM	MIL-W-22759/89	MIL-W-22759/34	SD	MIL-W-81381/19	NG
NF	MIL-W-81381/18	WN	MIL-W-22759/90	MIL-W-22759/35	SE	MIL-W-81381/20	NH
NG	MIL-W-81381/19	WP	MIL-W-22759/91	MIL-W-22759/41	SM	MIL-W-81381/21	NK
NH	MIL-W-81381/20	WR	MIL-W-22759/92	MIL-W-22759/42	SN	MIL-W-81381/22	NL

Please note this chart is for reference only.

Calibration Procedures

For Custom Stripmaster® and Custom Stripmaster® Lite Wire Strippers with Die-Type Blades



Step 1

Place the lower stationary blade half over the blade mounting studs.



Step 2

The blade dogleg should be attached first then depressed to seat itself. Slightly depress blade handle to allow the blade to be properly seated. Insert the dogleg of the upper movable blade into the locating slot of the side latch.



Step 3

Position the blade retaining plate over the mounting studs. Install split lock-washers and hex nuts onto the mounting studs. Do not tighten hex nuts at this time.

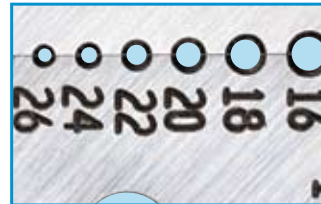


Step 4

First, position the lower blade half cutting surface in line with the lower gripper pad surface by slightly depressing the gripper handle.

Next, depress both handles just enough to allow the top and bottom blade surfaces

to meet. (Exerting too much pressure on the handles could force the bottom blade out of alignment.) Now tighten the hex nuts to a maximum torque value of 10 in. lbs.



Step 5

Visually check the upper and lower blade alignment by depressing the blade handle only until the blade surfaces make contact.

Leaving the gripper pads in the open position, look at the blade cutting holes and mating surface between holes. This is most effectively accomplished with a light source behind the stripper. Look for light in cracks between the cutting holes. If light can be seen in these areas, inspect the blades' mating surfaces for debris or imperfections. Clean the blades and check for light "leaks" again. If the blades have debris or imperfections, set-up was not correctly performed. In this case, repeat the set-up procedures.

Step 6

The final checking procedure to confirm proper blade set-up and calibration is to perform a series of strips on wire samples for which the blades were designed. In doing so, be sure the one-step stripping action is smooth with positive slug removal. During the stripping process check that the wire does not slip in the grippers and that the wire is not excessively bent by the grippers pads. Finally, closely inspect the stripped wire to be certain there are no nicks, scrapes or other defects in the conductor.

Should any of the above occur, repeat the blade set-up and calibration procedures. Also, be certain that the sample wire is indeed correctly matched with the cutting blades used. Refer to the blade reference charts on pages 10 through 12 for blade selection guidelines.

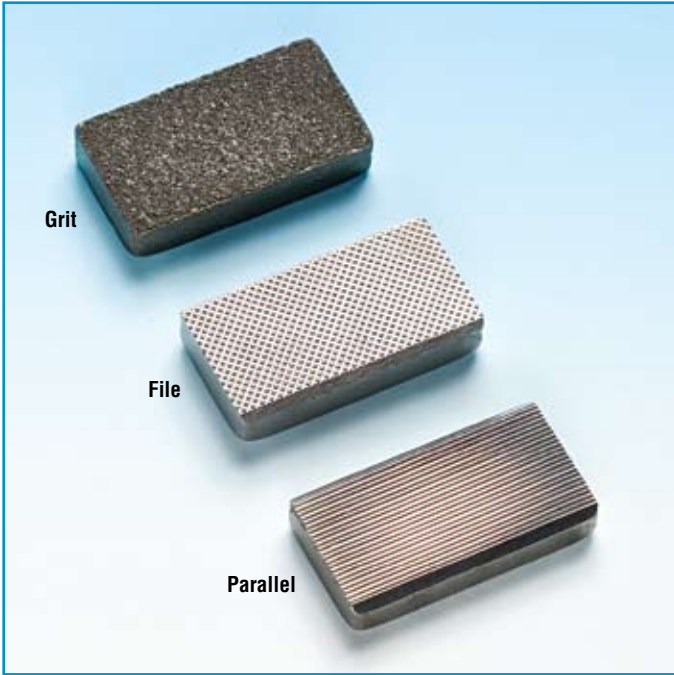
Optical Comparator

Some customers will have access to an optical comparator which can assist in determining proper blade alignment. In this case, light is used to project blade gap onto a screen. A template affixed to the screen verifies blade hole size and position. A fixture should be used for repeat comparisons. This fixture blocks the moveable blade into the stationary blade.

Caution: Never plug or mechanically gauge blade holes as this could result in blade damage.

With the cutting blades properly set-up and calibrated, the Custom Stripmaster® and Standard Stripmaster® Wire Strippers provide automatic, repeatable and superior quality wire stripping in a wide variety of production applications. Quality control and efficiency are assured.

Accessories



Gripper Pads are available in your choice of either parallel, file or grit-type. Grit Gripper Pads are the most commonly used. File-type pads may be used on hard-to-grip insulations such as Kapton® and some Teflon®.

Replacement Gripper Pads

For Custom Stripmaster® and Custom Steel Stripmaster® Wire Strippers			
Surface Type	Gripper Set* Cat. No.	Movable Gripper Cat No.	Stationary Gripper (Thickness)
Grit**	LB-197	L-5212	L-5215 (.129 in.)
Grit**	LB-198†	L-5212	L-5217 (.156 in.)
File	LB-721	LB-718	LB-719 (.129 in.)
File	LB-722‡	LB-718	LB-720 (.156 in.)
Parallel	LB-730	LB-727	LB-728 (.129 in.)
Parallel	LB-731	LB-727	LB-729 (.156 in.)

For Custom Stripmaster® Lite Wire Strippers			
Surface Type	Gripper Set* Cat. No.	Movable Gripper Cat No.	Stationary Gripper (Thickness)
Grit**	LB-1188	LB-882	LB-883 (.109 in.)
File	LB-1189	LB-1184	LB-1185 (.109 in.)
Parallel	LB-1190	LB-1186	LB-1187 (1.09 in.)

* Gripper Set includes one movable gripper, one stationary gripper.
 ** Grit pads are standard for most Custom Stripmaster® and Custom Stripmaster® Lite products.
 † Formerly L-7954
 ‡ Formerly L-8928. These are for use on hard-to-grip surfaces such as Kapton® and Teflon®.
 Gripper pad selection depends on insulation type and user preference.
 Note: For wire gauge 10-14, use .129 in. stationary gripper. For 16-30 AWG, use .156 in. gripper.

Replacement Frame Assemblies

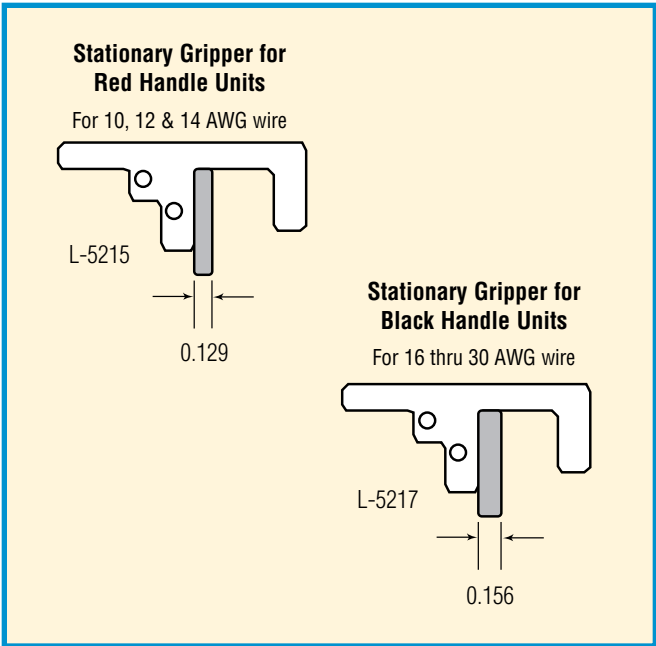
For Custom Stripmaster® Wire Strippers	Cat. No.
Frame only, 10–14 AWG	L-5616
Frame only, 16–30 AWG	L-5617
Frame only, 10–14 AWG, Wire Stop and Latch	L-5618
Frame only, 16–30 AWG, Wire Stop and Latch	L-5619
Frame only, 10–14 AWG, internal spring (see note)	L-9039
Frame only, 16–30 AWG, internal spring (see note)	L-9038

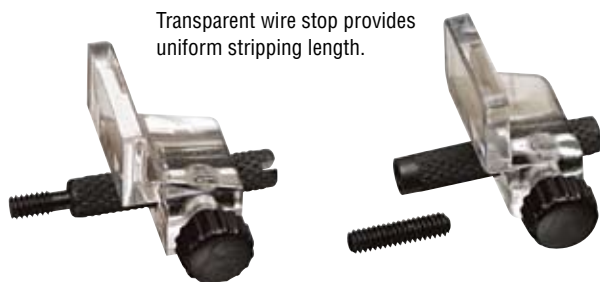
Note: Frames with internal springs allow additional blade penetration pressure for difficult and multi-layered insulation types.

For Custom Stripmaster® Lite Wire Strippers	Cat. No.
Frame only	LB-895
Frame only, Wire Stop and Latch	LB-896

For Custom Steel Stripmaster® Wire Strippers	Cat. No.
Frame only, 10–14 AWG	LB-1091
Frame only, 16–30 AWG	LB-1092
Frame only, 10–14 AWG, internal spring (see note)	LB-1090
Frame only, 16–30 AWG, internal spring (see note)	LB-1089

Note: Frames with internal springs allow additional blade penetration pressure for difficult and multi-layered insulation types.





Transparent wire stop provides uniform stripping length.



Short-stop Latch protects wire strands by limiting the stripping stroke to $\frac{3}{32}$ in. and retains the slug until the wire is ready for terminating.

Transparent Adjustable Wire Stop Assembly

Description	Cat. No.
For Custom & Custom Steel Stripmaster® Wire Strippers	L-5270
For Custom Stripmaster® Lite Wire Strippers	LB-1195

Short Stop Latch

Description	Cat. No.
For Custom & Custom Steel Stripmaster® Wire Strippers	L-5269
For Custom Stripmaster® Lite Wire Strippers	LB-1194

Custom Steel Stripmaster® Wire Strippers and Special Flat-Blades for Ribbon and Multi-Conductor Cable

Description	Blade Gap ("x") Vertical Height	Blade Only Cat. No.	Frame & Blade Cat. No.
Custom Steel frame only	NA	NA	LB-1091
Flat blade for 26 AWG (.40mm dia.) multi-conductor	.022 in.	LB-1151	45-890
Flat blade for 24 AWG (.00mm dia.) multi-conductor	.030 in.	LB-1152	45-891
Flat blade for 22 AWG (.64mm dia.) multi-conductor	.038 in.	LB-1153	45-892
Flat blade for 20 AWG (.00mm dia.) multi-conductor	.050 in.	LB-1154	45-893
Flat blade for 18 AWG (1.02mm dia.) multi-conductor	.060 in.	LB-1155	45-894
Flat blade for 16 AWG (1.29mm dia.) multi-conductor	.075 in.	LB-1156	45-895

Teflon® and Kapton® are registered trademarks of E. I. du Pont de Nemours and Company.

Ergo-Elite Stripmaster® Wire Stripper



IDEAL has set the aviation industry's standard in hand-held, precision wire stripping for over 60 years. IDEAL is known for its innovative one-step squeeze-action stripper and patented blade design.

The new Ergo-Elite Stripmaster® Wire Stripper offers the latest light-weight, ergonomically engineered wire stripper for the aerospace industry. The tilted wire stripping head in this sleek 5 oz. design provides better leverage and clear view for wire positioning. The advanced jaw position ensures a quality strip, eliminates potential scraping of the inner conductor, while leaving squared shoulders on a wide range of wire gauges.

- Ergonomically engineered for superior comfort, balance and control
- Tool constructed of rigid polyurethane reinforced with carbon fiber providing excellent strength at 40% the weight of metal hand tools
- NEW unmatched Mil-Spec precision blades with a patented, revolutionary design
- Tilted head assembly maintains a neutral wrist posture allowing an unobstructed view of wire positioning
- One-step stripping action, grips, penetrates and removes wire insulation with unmatched precision in one effortless squeeze

Call IDEAL to coordinate your Ergo-Elite Stripmaster® blade tool configuration to meet your specific application needs at 800-324-9571.



Advanced blade design has a build-in guiding system for loading the wire properly into position.

Ergo-Elite Stripmaster® Wire Stripper



Different colored blade covers are available for easy identification. (sold separately)



One size only universal wire gripping pad, covers wire ranges from 16–26 gauge

Ergonomic frame design greatly reduces risk of repetitive motion disorders

Balanced, lightweight frame (only 5 oz. total weight)

Advanced blade design acts as a wire guide system, resulting in consistent quality strips

Blade compartment door swivels for quick blade changeover reducing down time and increasing productivity

Comfort grip handles designed to give better leverage and reduce pressure point distress

Smaller handle span for better overall balance and control

Patented two-piece constructed blades meet Military Stripping Specifications. An outer counter-bore hole is sized to the insulation outside diameter while the inner cutting hole cuts through the insulation assuring nick-free wire stripping time after time.

- Squared shoulders at insulation cut
- Aggressive blade design for minimal tool stress and grip force
- Advanced cutting hole design with blade holes tangent to stationary gripper surface
- Stainless steel construction



Accessories (Sold Separately)

Description	Cat. No.
Ergo-Elite Stripmaster® Frame Only, less blades	LB-4617
Ergo-Elite Stripmaster® Frame w/grit pad, less blades	LB-4618
Ergo-Elite Stripmaster® Frame w/parallel pad, less blades	LB-4619
Gripper Set, Ergo-Elite, Grit	LB-4620
Gripper Set, Ergo-Elite, Parallel	LB-4621
Ergo-Elite Wire Stop	LB-1904
Blade Cover, Purple	IA-5170
Blade Cover, Red	IA-5171
Blade Cover, Green	IA-5172
Blade Cover, Blue	IA-5173

MIL-spec Reference Chart

Wire Specification	Cat. No. Complete Assy	Cat. No. Blade Only	Wire Gauge AWG	Wire Specification	Cat. No. Complete Assy	Cat. No. Blade Only	Wire Gauge AWG
MIL-W-16878/4	55-5560	55-5560-1	16 – 26	ASN-E0261-CF EN2266	55-1773	55-1773-1	16 – 26
AEP System 2112	55-2903	55-2903-1	16 – 24	ASN-E0262-DK	55-1773	55-1773-1	16 – 26
MIL-W-22759/7/8	55-1500	55-1500-1	16 – 22	BMS 13–31	55-1500	55-1500-1	16 – 22
MIL-W-22759/11/12	55-5560	55-5560-1	16 – 26	BMS 13–52	55-2934	55-2934-1	22 – 26
MIL-W-22759/32-46/16/17	55-1987	55-1987-1	16 – 26	BMS 13–48 (10, 8, 6 MIL)	55-1987	55-1987-1	16 – 26
Mil-W-22759/81/82/91/92	55-2693	55-2693-1	16 – 26	BMS 1358	55-2904	55-2904-1	
MIL-W-22759/83 thru /90	55-2685	55-2685-1	16 – 26	BMS 1360 type 1–6, 17, 18,	55-2543	55-2543-1	16 – 24
MIL-W-25038/3	55-2902	55-2902-1	16 – 22	BMS 1360 types 7 thru 12	55-2564	55-2564-1	16 – 24
MIL-W-81044/9/10	55-2901	55-2901-1	16 – 24	BMS 13–78	55-2933	55-2933-1	16 – 22
MIL-W-81044/11/12/13	55-1987	55-1987-1	16 – 26	“DL” ASNE EO 437	55-2905	55-2905-1	16 – 22
5 Mil Kapton	55-1633	55-1633-1	16 – 26	PAN 6588TW002	55-2775	55-2775-1	1.2 – 0.2
ASN-E0260-BF	55-1773	55-1773-1	16 – 26	JN 1007 CH	55-2775	55-2775-1	0.2 – 0.12

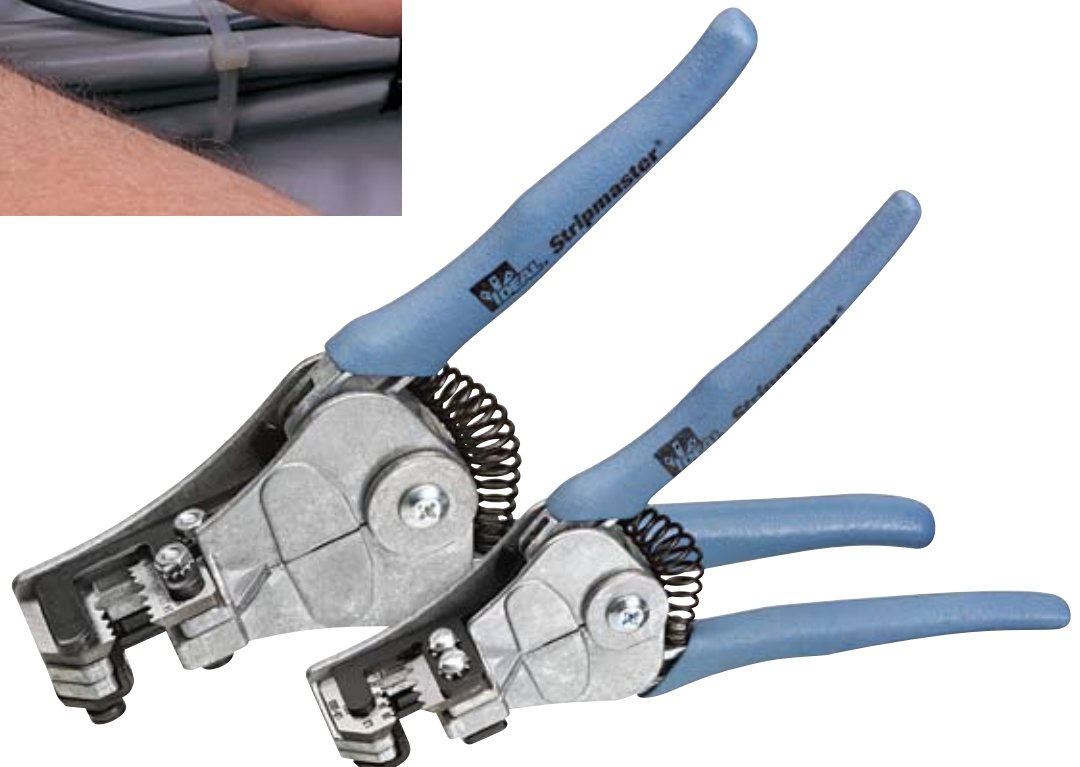
Stripmaster® and Stripmaster® Lite Wire Strippers



The Stripmaster® Wire Stripper, a versatile wire stripper, is the standard of the industry. The Standard Stripmaster® Wire Stripper incorporates a wire gripper that firmly holds the wire in a center-line position with the stripping hole.

Lever action of the stripper offers a mechanical advantage that makes wire stripping easier. This is a great aid in production applications as operator fatigue is reduced. One light squeeze strips the wire clean up to a full $\frac{7}{8}$ in. (22mm). The jaws are automatically held open to allow removal of the wire without damaging its end. This stripper virtually eliminates all nicking, cutting or fraying on non-precision wire.

- Knife-type blades handle general purpose, non-precision and coax cable wire stripping
- One-step action reduces wire stripping time for increased productivity
- Spring-action mechanical advantage increases wire stripping leverage and reduces operator fatigue
- Precision-ground, knife-type blades provide clean, accurate wire stripping
- Sturdy die cast frame provides long-term durability
- Wire gripper holds wire securely in position
- Stripmaster® Lite designed for smaller hands — $\frac{3}{4}$ the size of the standard Stripmaster® Wire Stripper
- Two tool sizes match user preference and wire stripping requirements



Stripmaster® and Stripmaster® Lite Wire Strippers



Stripmaster® Wire Strippers and Knife-Type Blades

Specifications — Stripping Hole Diameter (Inches)												Cat. No.	Replacement Blades (Pair) Cat. No.	
Wire Size AWG														
8	10	12	14	16	18	20	22	24	26	28	30			
.159	.141	.106											45-090* or 45-290**	L-4419
	.144	.105	.085	.073	.073								45-091	L-4420
	.144	.113	.090	.072	.061	.048	.048						45-092* or 45-292**	L-4421
			.090	.072	.061	.039	.039						45-093	L-4422
				.072	.061	.048	.039	.032	.026				45-097	L-4994
						.048	.039	.032	.026	.021	.016		45-098	L-5361
.198	.167			.062	.055								45-099	L-8763

*Boxed **Blister Card Tolerances +.001 / -.005

Stripmaster® Lite Wire Strippers and Knife-Type Blades

Specifications — Stripping Hole Diameter (Inches)													Cat. No.	Replacement Blades (Pair) Cat. No.	
Wire Size AWG															
12	14	16	18	20	22	24	26	28	30	16/18	20/22	Cutting Edge			
		.072	.061	.048	.039									45-671	LB-1001
						.032	.026	.021	.016					45-672	LB-1002
.113	.090	.072	.061 (All stranded wire)											45-673	LB-1003
.096	.085	.073	.061 (12 & 14 Solid wire, 16 & 18 Stranded wire)											45-674	LB-1004
										.072	.048	.250 Wide		45-675	LB-1005

Tolerances +.001 / -.005

Coax Stripmaster® Wire Strippers and Blades



Description	Coax Cable Type (RGU)	Repl. Blade Cat. No.	Cat. No.
Coax Stripmaster® for RG-6	RG-6	LB-740	45-262
Coax Stripmaster® for RG-58	RG-58	LB-742	45-264
Coax Stripmaster® for RG-59	RG-59	LB-743	45-265
Coax Stripmaster® for RG-62	RG-62	LB-744	N/A
Coax Stripmaster® for RG-6 QuadShield	RG-6 QuadShield	LA-3953	45-282

Coaxial Cables: two-step strip for termination, jacket and dielectric.

Stripmaster® Wire Strippers with Rectangular Holes



Description	Cat. No.	Replacement Blades (Pair) Cat. No.
For Flat Telephone Cable (.60 in. or 1.52 mm)	N/A	LB-1155
For European Flat Lamp Cord	45-089	L-8762
For SP-SPT Lamp Cord	45-095*	L-4452

*Also strips 2- and 3-conductor low-voltage wire used in G.E. and Touchplate remote control wiring system.



Replacement Frame Assemblies	Cat. No.
For Stripmaster® Wire Strippers	L-5620
For Stripmaster® Lite Wire Strippers	LB-1421

Coaxial Cables: two-step strip for termination, jacket and dielectric

Optional Accessories	Cat. No.
Transparent Adjustable Wire Stop (for Stripmaster® Wire Strippers)	L-5270
Transparent Adjustable Wire Stop (for Stripmaster® Lite Wire Strippers)	LB-1195
Replacement Moveable Gripper	L-1953

Stripmaster® and Stripmaster® Lite Wire Strippers

Stripmaster® Wire Strippers and Knife-Type Blades

Specifications — Stripping Hole Diameter (mm)												Cat. No.	Replacement Blades (Pair) Cat. No.	Replacement Frame Cat. No.	
Wire Size AWG															
8	10	12	14	16	18	20	22	24	26	28	30				
4	3.6	2.7											45-090 or 45-290	L-4419	L-5620
	3.6	2.7	2.2	1.8									45-091	L-4420	L-5620
	3.6	2.9	2.3	1.8	1.5	1.2							45-092 or 45-292-241*	L-4421	L-5620
			2.3	1.8	1.5	1.2	1						45-093	L-4422	L-5620
				1.8	1.5	1.2	1	0.8	0.7				45-097	L-4994	L-5620
						1.2	1	0.8	0.7	0.5	0.4		45-098	L-5361	L-5620
5	4.2			1.6	1.4								45-099	L-8763	L-5620

*Boxed Tolerances +.001 / -.005

Stripmaster® Lite Wire Strippers and Knife-Type Blades

Specifications — Stripping Hole Diameter (mm)													Cat. No.	Replacement Blades (Pair) Cat. No.	Replacement Frame Cat. No.	
Wire Size AWG																
12	14	16	18	20	22	24	26	28	30	16/18	20/22	Cutting Edge				
		1.8	1.5	1.2	1									45-671	LB-1001	LB-1421
						0.8	0.7	0.5	0.4					45-672	LB-1002	LB-1421
2.9	2.3	1.8	1.5 (All stranded wire)											45-673	LB-1003	LB-1421
2.4	2.2	1.9	1.5 (12 & 14 Solid wire, 16 & 18 Stranded wire)											45-674	LB-1004	LB-1421
										1.8	1.2	6.4 wide		45-675	LB-1005	LB-1421

Stripmaster® Wire Strippers and Knife-Type Blades for Metric Wire

Specifications — Stripping Hole Diameter (mm)														Cat. No.	Replacement Blades (Pair) Cat. No.	Replacement Frame Cat. No.
Wire Size (mm ²)																
0.05	0.1	0.15	0.22	0.34	0.5	0.75	1	1.5	2.5	4	6	8	10			
												4.3	5	45-090-341 or 45-290-341*	L-4419M	LA-2358
						1.3	1.6	1.9	2.4	3	3.6			45-092-341 or 45-292-341*	L-4421M	LA-2358
0.6	0.7	0.8	0.9	1	1.1									45-098-341 or 45-298-341*	L-5361M	LA-2358

*Boxed Tolerances +.001 / -.005

Stripmaster® Lite Wire Strippers and Knife-Type Blades for Metric Wire

Specifications — Stripping Hole Diameter (mm)										Cat. No.	Replacement Blades (Pair) Cat. No.	Replacement Frame Cat. No.			
Wire Size (mm ²)															
0.05	0.1	0.15	0.22	0.34	0.5	0.75	1	1.5							
				1	1.1	1.3	1.6	1.9					45-671-341	LB-1001M	H-2909
0.6	0.7	0.8	0.9										45-672-341	LB-1002M	H-2909

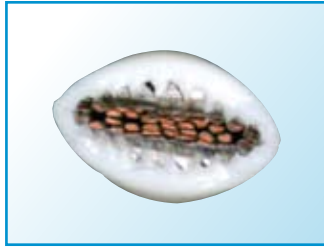
Free Application Engineering Service and made-to-order Custom Stripmaster® and Stripmaster® Wire Strippers are available, contact IDEAL INDUSTRIES, INC. for complete information at 1-800-435-0705.

PRODUCTIVITY

Selecting the proper tool for your wire and cable ensures the quality and consistency desired in a production environment. There are also ergonomic advantages. Using the proper tool and blade produces a clean cut through the insulation allowing minimal hand force to actuate the tool and break away the insulation. Even selecting the proper wire cutter improves the quality of the strip and significantly lessens hand force trauma. If your production area is a high risk for repetitive motion disorder, IDEAL can offer proven machines to greatly reduce these safety issues. These machines will address your major safety concerns in addition to providing speed, efficiency and superior quality.



IDEAL wire cutters produce a clean cut through the insulation



Diagonal cutters do not cut cleanly and decreases the quality of the strip



T[®]-Cutter Lite Wire Cutter

In today's cutting-edge electronic production and assembly operations, the T[®]-Cutter Lite is a "must-have." Stranded or solid, copper or aluminum, this wire cutter cuts cleanly and accurately. Compact and lightweight with a cushioned ESD grip prove comfort and precision go hand-in-hand.



- Knife-type blade provides a shear-type cut
- Lightweight, compact design
- Perfect for copper and aluminum wire
- Cushioned ESD grip

Description	Cat. No.
T [®] -Cutter Lite Wire Cutter	45-260

Reflex[™] Premium T[®]-Stripper Wire Strippers

- Ergonomic design for maximum comfort
- Curved handles reduce wrist fatigue
- Sleeves that extend to stripping head to cushion thumb and fingers
- Textured, no-slip sleeves provide a sure, easy grip



Description	Solid	Stranded	Cat. No.
Reflex [™] Premium T [®] -Stripper Wire Stripper	10-18	12-20	45-415
Reflex [™] Premium T [®] -Stripper Wire Stripper	14-24	16-26	45-416
Reflex [™] Premium T [®] -Stripper Wire Stripper	22-30	24-32	45-417
Reflex [™] Premium T [®] -Stripper Wire Stripper	6-14	8-16	45-418
Reflex [™] Premium T [®] -Stripper — Metric	0.5mm ² -4.0mm ²		45-425-341
Reflex [™] Premium 14/2 NM Cable T [®] -Stripper Wire Stripper	14/2		45-448
Reflex [™] Premium 12/2 NM Cable T [®] -Stripper Wire Stripper	12/2		45-449
Reflex [™] Premium T [®] -Cutter	Cutter		45-423

Data T[®]-Cutters

- Cuts round communication cable and maintains cable geometry for better cable performance
- Blade cutting capabilities suitable for soft cable (not ACSR)
- Steel reinforced center conductors can be trimmed with bolt cutting holes
- Cushioned comfort grip handles
- Locking latch keeps tool closed in pouch



Description	Wire Range	Cat. No.
Data T [®] -Cutter	Multi-pair cable up to .500 in. (12.7mm), Coaxial cable up to RG-9/U	45-074
Data T [®] -Cutter II	Up to RG-58 and RG-6 coaxial cable	45-075

T[®]-Cutter Wire Cutters

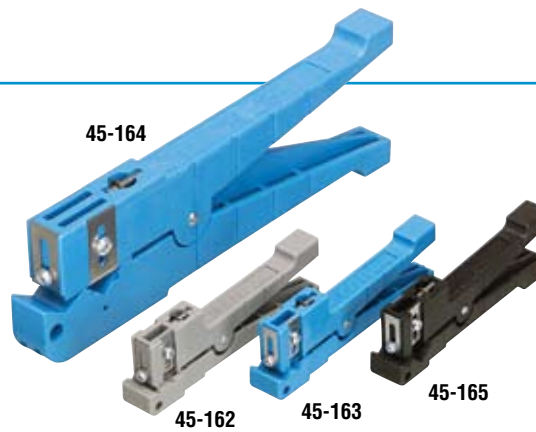
- Hardened steel, sheer-type blades
- Spring-loaded automatic opening
- Convenient plier nose for extra gripping strength
- Corrosion-resistant, black oxide finish
- Tough steel construction
- Locking tab keeps spring in place
- Premium model features comfort-grip handles; Super model features curved cushion-grip handles; Reflex[™] Premium model features ergonomic design with textured cushion-grip handles



Description	Wire Range	Cat. No.
T [®] -Cutter	Up to 1/2 in. O.D. fine-stranded wire and 10 AWG solid wire	45-123
Premium T [®] -Cutter	Up to 1/2 in. O.D. fine-stranded wire and 10 AWG solid wire	45-223
Super T [®] -Cutter w/static dissipative grips	Up to 1/2 in. O.D. fine-stranded wire and 10 AWG solid wire	45-323
Reflex [™] Premium T [®] -Cutter	Up to 1/2 in. O.D. fine-stranded wire and 10 AWG solid wire	45-423

Coaxial Cable Strippers

- Lightweight, compact, cost-effective stripper is simple to operate
- Adjustable blades can be set for any depth to help ensure nick-free strips
- Use with multi-conductor cable, tightly wrapped stranded cables, CATV cable, CB antenna cable, SO, SJ, SJT, and other types of flexible power cords
- Includes three straight and one round blade



Description	Typical RG Cables	Cat. No.
Coaxial Cable Stripper, up to 1/8 in. (3.2mm) O.D.	RG-174, RG-187	45-162 (Gray)
Coaxial Cable Stripper, up to 1/8 in. (3.2mm) to 7/32 in. (5.556mm) O.D.	RG-58, CB Antenna Cable	45-163 (Blue)
Coaxial Cable Stripper, up to 1/4 in. (6.4mm) to 9/16 in. (14.3mm) O.D.	RG-8	45-164 (Blue)
Coaxial Cable Stripper, up to 3/16 in. (4.8mm) to 5/16 in. (8mm) O.D.	RG-59, UTP Cable	45-165 (Black)



Replacement Blades for Coaxial Cable Strippers

Description	Cat. No.
Replacement blade set* for 45-162, 45-163, 45-165	L-9225
Round slitting blade for 45-162, 45-163, 45-165	L-9212
Replacement blade set* for 45-164	L-9226
Round slitting blade for 45-164	L-9214

*A set of blades consist of three straight blades and one round blade.

Round Cable Slitting and Ringing Tool

- Cuts around cable jacket as well as slits the length of jacket for easy removal
- Use with single or multiple conductor cable up to 1.75 in. O.D.
- Blade adjusts for jacket thicknesses up to .125 in.
- Spare blade in handle base

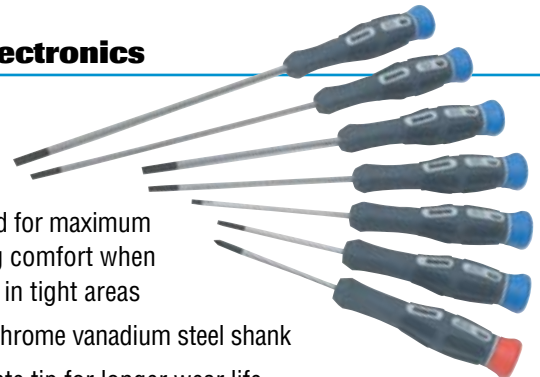


Description	Cat. No.
Round Cable Slitting and Ringing Tool	45-144
Cable Stripper for 1/4 in. to 3/4 in. O.D.	45-128
Replacement Blades for 45-144 (2/pkg.)	LB-1748
Replacement Blades for 45-128 and 45-129 (2/pkg.)	L-7486
Cable Stripper for 3/4 in. to 1 1/2 in. O.D.	45-129

Slim Electronics



- Designed for maximum handling comfort when working in tight areas
- Tough, chrome vanadium steel shank
- Phosphate tip for longer wear life
- Rotating cap for optimum control for precise centering
- Color-coded cap for easy identification



Description	Style	Blade Length	Cat. No.
3/32 in.	Cabinet Tip	2 1/2 in.	36-240
3/32 in.	Cabinet Tip	3 in.	36-241
1/8 in.	Cabinet Tip	4 in.	36-242
1/8 in.	Cabinet Tip	6 in.	36-243
5/32 in.	Cabinet Tip	4 in.	36-244
5/32 in.	Cabinet Tip	6 in.	36-245
#0 - 1/8 in.	Phillips head	2 1/2 in.	36-246
7-Piece Set includes one each of 36-240 thru 36-246			36-248
4-Piece Set includes one each of 36-240, -241, -242 & -246			36-249

MiniLite-Strip™ Optical Fiber Stripper

- Small stripping V-notch is designed to remove buffer and coating material from 125μ fiber
- Large stripping V-notch is designed to strip the outer jacket
- Blade area heat-treated for durability
- No field adjustment needed
- Laser marked for easy identification



Description	Capacity	Cat. No.
Optical Fiber Stripper	125μ	45-352

Alphabetical Index

12V Adapter (transformer) 6

220V, 50Hz Transformer 6

A

Air filter/regulator 6, 8, 13

C

Coax Stripmaster® Wire Strippers
and Blades 29

Coaxial Cable Strippers 33

Custom Steel Stripmaster®
Wire Stripper Replacement
Frame Assemblies 24

Custom Steel Stripmaster®
Wire Stripper Replacement
Gripper Pads 24

Custom Steel Stripmaster®
Wire Strippers and Special
Flat-Blade for Ribbon and
Multi-Conductor Cable 25

Custom Stripmaster® Lite
Wire Stripper Replacement
Frame Assemblies 24

Custom Stripmaster® Lite
Wire Stripper Replacement
Gripper Pads 24

Custom Stripmaster® Lite
Wire Strippers and
Die-Type Blades 23

Custom Stripmaster® Wire Stripper
Replacement Frame Assemblies 24

Custom Stripmaster® Wire Stripper
Replacement Gripper Pads 24

Custom Stripmaster® Wire Strippers
and Die-Type Blades 22

D

Data T®-Cutters 32

E

Ergo-Elite Stripmaster®
Wire Stripper 27

Ergo-Elite Stripmaster®
Wire Stripper Accessories 27

G

Gripper Slug Remover 8

H

Heat Elite Heat Gun Kit 15

Heat Elite Plus LCD Heat Gun Kit 15

Heat Elite Pro Heat Gun Kit 15

Heat Gun Accessories 15

Hex Key Set 6

I

IDEAL Gripper™ 11

M

Mil-spec Reference Chart for
Custom Stripmaster® and
Custom Stripmaster® Lite
Wire Strippers 20

MIL-spec Reference Chart for
Ergo-Elite Stripmaster®
Wire Stripper 27

MiniLite-Strip™ Optical Fiber Stripper . . 33

P

Pow-R-Lite™ II Pneumatic
Wire Stripper 13

Pow-R-Master® II Pneumatic
Wire Stripper 13

R

Reflex™ Premium T®-Stripper
Wire Stripper 32

Ringer™ Shield Cable Stripper 10

Ringer™ Shield Cable Stripper
Replacement Blades 11

Round Cable Slitting
and Ringing Tool 33

S

Short Stop Latch 25

Slim Electronics 33

STP Jacket Remover 12

STP Jacket Remover
Replacement Gripper Pad/Set. 12

STP Mounting Bracket 8

STP Replacement Blade Set 8

STP Replacement Front Grip Pad 8

STP Replacement
Optional Firm Rear Grip Pad 8

STP Replacement Standard
Rear Grip Pad 8

STP Stripping System 8

Stripmaster® 950 Wire Stripper 6

Stripmaster® 950 Wire Stripper
Permanent Gripper Assembly 6

Stripmaster® 950 Wire Stripper
Standard Blade and Bushings 6

Stripmaster® and Stripmaster® Lite
Wire Strippers 29

Stripmaster® and Stripmaster® Lite
Wire Strippers Frame Assemblies . . 29

Stripmaster® and Stripmaster® Lite Wire
Strippers Optional Accessories 29

Stripmaster® Lite Wire Strippers
and Knife-Type Blades 29, 30

Stripmaster® Lite Wire Strippers and
Knife-Type Blades for Metric Wire . . 30

Stripmaster® Wire Strippers
and Knife-Type Blades 29, 30

Stripmaster® Wire Strippers and
Knife-Type Blades for Metric Wire . . 30

Stripmaster® Wire Strippers
with Rectangular Holes 29

T

T®-Cutter Lite Wire Cutter 6, 8, 32

T®-Cutter Wire Cutters 32

Thermo-Shrink® Heat Shrink Kit 15

Transparent Adjustable
Wire Stop Assembly 25

W

Wire-stops 11, 13

Catalog Number Index

Cat. No.	Page	Cat. No.	Page	Cat. No.	Page	Cat. No.	Page
36-240	33	45-169	22	45-2565-1	20	45-639	23
36-241	33	45-170	22	45-2577-1	20	45-640	23
36-242	33	45-171	22	45-260	8, 30	45-641	23
36-243	33	45-172	22	45-2612-1	20	45-671	29, 30
36-244	33	45-173	22	45-2618-1	20	45-671-341	30
36-245	33	45-174	22	45-262	29	45-672	29, 30
36-246	33	45-175	22	45-264	29	45-672-341	30
36-248	33	45-176	22	45-265	29	45-673	29, 30
36-249	33	45-177	22	45-2685-1	20	45-674	29, 30
45-007	15	45-1773-1	20	45-2686-1	20	45-675	29, 30
45-074	32	45-1774-1	20	45-2688-1	20	45-890	25
45-075	32	45-178	22	45-2691-1	20	45-891	25
45-089	29	45-179	22	45-2692-1	20	45-892	25
45-090	29, 30	45-1924-1	20	45-2693-1	20	45-893	25
45-090-341	30	45-1925-1	20	45-2694-1	20	45-894	25
45-091	29, 30	45-1939-1	20	45-2697-1	20	45-895	25
45-092	29, 30	45-1952-1	20	45-2698-1	20	45-906	6, 8, 13
45-092-341	30	45-1957-1	20	45-2721-1	20	45-910	12
45-093	29, 30	45-1987-1	20	45-2777-1	11	45-930	8
45-095	29	45-202	15	45-2779-1	20	45-935	8
45-097	29, 30	45-2020-1	20	45-2780-1	11	45-950	6
45-098	29, 30	45-2024-1	20	45-282	29	45-950-1	6
45-098-341	30	45-2025-1	20	45-290	29, 30	45-950-4	6
45-099	29, 30	45-2026-1	20	45-290-341	30	45-951	6
45-1159-1	20	45-2108-1	11	45-292	29	46-203	15
45-1192-1	20	45-2112-1	20	45-292-241	30	46-204	15
45-123	32	45-2113-1	20	45-292-341	30	46-941	15
45-128	33	45-2114-1	20	45-298-341	30	46-950	15
45-129	33	45-2115-1	20	45-323	32	46-951	15
45-1302-1	20	45-2118-1	20	45-333	8, 11	46-952	15
45-144	34	45-2121-1	20	45-352	33	46-953	15
45-1500-1	20	45-2124-1	20	45-400	10	46-954	15
45-1501-1	20	45-2125-1	20	45-401	10	46-955	15
45-1523-1	20	45-2131-1	20	45-402	10	46-956	15
45-1551-1	20	45-2132-1	20	45-403	10	55-1500	27
45-1608-1	20	45-2133-1	20	45-404	10	55-1500-1	27
45-1609-1	20	45-2138-1	20	45-423	32	55-1633	27
45-1610-1	20	45-2139-1	20	45-600	13	55-1633-1	27
45-1611-1	20	45-223	32	45-631	23	55-1773	27
45-162	33	45-2500-1	20	45-632	23	55-1773-1	27
45-163	33	45-2530	13	45-633	23	55-1987	27
45-1633-1	20	45-2541-1	20	45-634	23	55-1987-1	27
45-164	33	45-2542-1	20	45-635	23	55-2543	27
45-165	33	45-2543-1	20	45-636	23	55-2543-1	27
45-1654-1	20	45-2544-1	20	45-637	23	55-2564	27
45-1672-1	20	45-2564-1	20	45-638	23	55-2564-1	27

Continued on Page 38

Catalog Number Index (continued)

Cat. No.	Page	Cat. No.	Page	Cat. No.	Page	Cat. No.	Page
55-2685	27	L-4421	29, 30	LB-1003	29, 30	LB-911	23
55-2685-1	27	L-4421M	30	LB-1004	29, 30	LB-912	20, 23
55-2693	27	L-4422	29, 30	LB-1005	29, 30	LB-913	20, 23
55-2693-1	27	L-4452	29	LB-1089	24	LB-914	23
55-2775	27	L-4994	29, 30	LB-1090	24	LB-915	20, 23
55-2775-1	27	L-5210	20, 22	LB-1091	24	LB-916	23
55-2901	27	L-5211	20, 22	LB-1092	24	LB-917	20, 23
55-2901-1	27	L-5212	24	LB-1151	24	LB-918	23
55-2902	27	L-5215	24	LB-1152	24	LB-919	23
55-2902-1	27	L-5217	24	LB-1153	24	LB-920	20, 23
55-2903	27	L-5270	13, 25, 29	LB-1154	24	LB-921	23
55-2903-1	27	L-5361	29, 30	LB-1155	25, 29		
55-2904	27	L-5361M	30	LB-1156	25		
55-2904-1	27	L-5436	22	LB-1184	24		
55-2905	27	L-5559	20, 22	LB-1185	24		
55-2905-1	27	L-5560	20, 22	LB1186	24		
55-2933	27	L-5561	20, 22	LB-1187	24		
55-2933-1	27	L-5562	20, 22	LB-1188	24		
55-2934	27	L-5563	20	LB-1189	24		
55-2934-1	27	L-5564	20, 22	LB-1190	24		
55-5560	27	L-5616	24	LB-1194	25		
55-5560-1	27	L-5617	24	LB-1195	13, 25, 29		
691.020	8	L-5618	24	LB-1421	29, 30		
H-2909	30	L-5619	24	LB-1748	33		
K-6491	11	L-5620	29, 30	LB-197	24		
K-6492	11	L-7486	33	LB-198	24		
K-6493	11	L-7625	22	LB-718	24		
K-6494	11	L-8762	29	LB-719	24		
K-6495	11	L-8763	29, 30	LB-720	24		
K-6496	11	L-9038	24	LB-721	24		
K-6497	11	L-9039	24	LB-722	24		
K-6498	11	L-9212	33	LB-727	24		
K-6499	11	L-9214	33	LB-728	24		
K-6500	11	L-9225	33	LB-729	24		
K-6501	11	L-9226	33	LB-730	24		
K-6502	11	L-9300	22	LB-731	24		
K-6503	11	LA-2358	30	LB-740	29		
K-6504	11	LA-2408	8	LB-742	29		
K-6505	11	LA-2414	8	LB-743	29		
K-6809	8	LA-2415	12	LB-744	29		
K-7156	6	LA-2808	8	LB-825	11		
K-7763	8	LA-3953	29	LB-840	11		
L-1953	29	LB-1001	29, 30	LB-882	24		
L-4419	29, 30	LB-1001M	30	LB-883	24		
L-4419M	30	LB-1002	29, 30	LB-895	23		
L-4420	29, 30	LB-1002M	30	LB-896	24		

Free Application Engineering Service

Whatever your particular wire or cable preparation challenge, we're ready to assist you with practical solutions. Simply send us at least five feet of your wire or cable and complete the questionnaire below. Copy this form and mail to:

IDEAL INDUSTRIES, INC.
Becker Place, Sycamore, IL 60178
Attn: Wire Stripping Applications Analysis

We'll quickly recommend a practical stripping or cutting solution designed to meet your needs. Remember, this is a free service that we're eager to provide whenever you need it.

For immediate assistance, call our Technical Services Hotline at 800-338-4495.

Free Application Engineering Service for Wire Stripping Recommendations

Completion of this information is a request for recommended tools or equipment only and does not place the individual or the company inquiring under any obligation to purchase. This is a free service of IDEAL INDUSTRIES, INC., Sycamore, Illinois.

Please enclose at least **five feet of your wire or cable** and answer the following questions to expedite a reply for your particular application.

1. Method Preference:

- A. Hand Type**
- B. Production Strippers**
 - 1. 45-930 STP Stripping System**
 - 2. 45-950 Stripmaster® Model 950 Wire Stripper**

2. Stripping Tolerance:

- A. Precision**
- B. Non-Precision**

3. Present Method: _____

4. Type of Insulation: _____

5. Wire Gauge: _____

6. Remarks/Requirements: _____

7. MIL-Spec: _____

8. Number of Strips per Day: _____

9. Cable Dimensions: _____

Write in the appropriate dimensions for each cable type submitted. Failure to complete the necessary dimensions will delay our recommendation.

End User Information

Please enclose business card or complete the following:

Name _____

Title _____

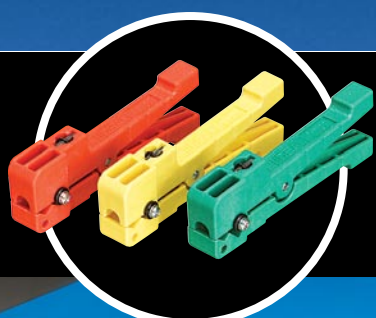
Company _____

Street _____

City _____ State _____ Zip _____

Phone _____ Fax _____

E-mail _____



IDEAL INDUSTRIES, INC.
 Becker Place, Sycamore, IL 60178, USA / 815-895-5181 • 800-435-0705 in USA
 International offices:
 Australia • Brazil • Canada • China • Germany • Mexico • UK
 For complete sales office contact information, visit us at:
www.idealindustries.com

Rev. 7/08
 Printed in U.S.A.

Form No. P-086
 ©2008 IDEAL INDUSTRIES, INC.