

## L2154 SERIES

- RIGHT ANGLE LED CIRCUIT BOARD INDICATORS
- T-1 (3MM) SIZE • DIFFUSED LENS
- 2, 5 OR 12 VOLTS, OR LOW CURRENT LEDS

### Overview

The L2154 Series of circuit board indicators is constructed with a right angle housing and diffused, T-1 (3mm) LEDs. The black nylon housing assures proper LED alignment and enhances contrast while resisting vibration and shock. Units operate on DC voltage.

**Other LEDs are available including:** ultra bright, high brightness or clear.

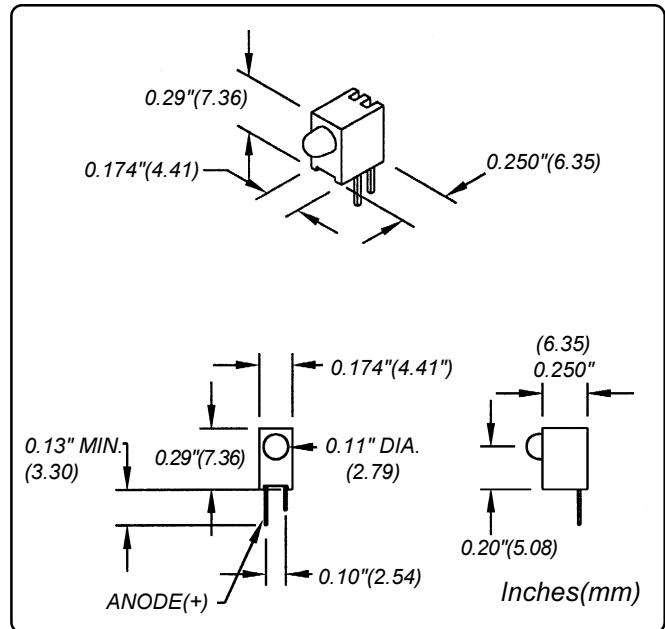
**Custom lead forming and cutting services are available.**

### Operating & Storage Temperature

Temp. Range: -40°C to +85°C.

### Lead Solder Temperature

Soldering temp. 260°C max. Solder time for 3 seconds for distance from solder case to joint > 2mm or 5 seconds with distance from solder case to joint > 4mm.



**Can't find it here? We have many more standard and custom solutions.**

For information phone Customer Service at 954-425-0123 or complete the "Fast FAX" form on Appendix, page A-1.

Part Number	Color	Lens Type	Typical Intensity mcd	Test Current mA	Forward Voltage Typical	Forward Voltage Max	Reverse Voltage Max	Typical Wavelength (nm)	Viewing Angle
L2154-DG	Green	Diffused	30	10	2.2	2.5	5V	565	60°
L2154-DR	Red	Diffused	10	20	2	2.5	5V	625	60°
L2154-DY	Yellow	Diffused	30	10	2.1	2.5	5V	590	60°
L2154-DG5	Green	Diffused	30	12	5	7.5	5V	565	60°
L2154-DR5	Red	Diffused	40	12	5	7.5	5V	625	60°
L2154-DY5	Yellow	Diffused	30	12	5	7.5	5V	590	60°
L2154-DG12	Green	Diffused	30	11	12	15	5V	565	60°
L2154-DR12	Red	Diffused	40	11	12	15	5V	625	60°
L2154-DY12	Yellow	Diffused	30	12	12	15	5V	590	60°
L2154-DGL	Green	Diffused	4	2	1.9	2.2	5V	625	60°
L2154-DRL	Red	Diffused	5	2	1.7	2	5V	565	60°
L2154-DYL	Yellow	Diffused	4	2	1.8	2.1	5V	590	60°

## L2305 SERIES

- VERTICAL LED CIRCUIT BOARD INDICATORS
- T-1 (3MM) SIZE • DIFFUSED LENS
- STANDARD EFFICIENCY LEDS
- 2 VOLT LEDS • OTHERS AVAILABLE

### Overview

The L2305 Series of circuit board indicators is constructed with a vertical housing and diffused, T-1 (3mm) LEDs. The black nylon housing assures proper LED alignment and enhances contrast while resisting vibration and shock. A press-in pin secures the unit to the PC circuit board to facilitate soldering. Units operate on DC voltage.

**Other LEDs are available including:** ultra bright, high brightness or clear.

**Custom lead forming and cutting services are available.**

### Operating & Storage Temperature

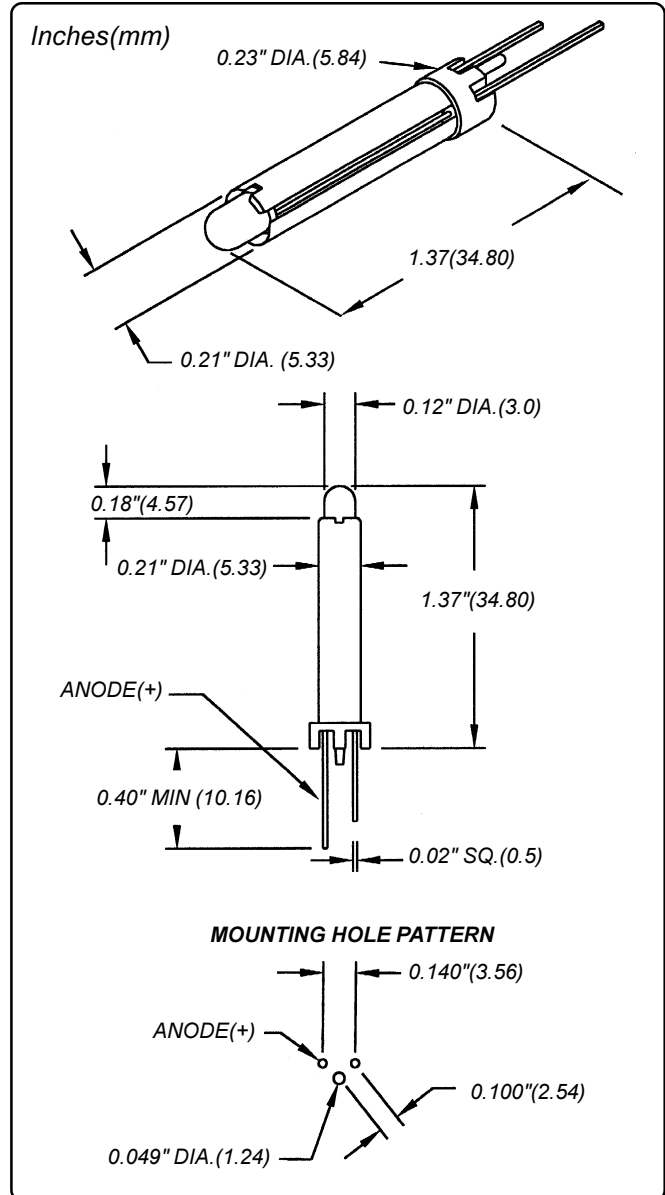
Temp. Range: -40°C to +85°C.

### Lead Solder Temperature

Soldering temp. 260°C max. Solder time for 3 seconds for distance from solder case to joint > 2mm or 5 seconds with distance from solder case to joint > 4mm.

**Can't find it here? We have many more standard and custom solutions.**

For information phone Customer Service at 954-425-0123 or complete the "Fast FAX" form on Appendix, page A-1.



Part Number	Color	Lens Type	Typical Intensity mcd	Test Current mA	Forward Voltage Typical	Forward Voltage Max	Reverse Voltage Max	Typical Wavelength nm	Viewing Angle
L2305-DG	Green	Diffused	20	10	2.2	2.5	5V	565	60°
L2305-DR	Red	Diffused	10	20	2	2.5	5V	700	60°
L2305-DY	Yellow	Diffused	30	10	2.1	2.5	5V	590	60°

## L3151 SERIES

- RIGHT ANGLE LED CIRCUIT BOARD INDICATORS
- T-1 3/4(5MM) SIZE • DIFFUSED LENS
- 2, 5 OR 12 VOLTS, OR LOW CURRENT LEDS

### Overview

The L3151 Series of circuit board indicators is constructed with a right angle housing and diffused, T-1-3/4 (5mm) LEDs. The black nylon housing assures proper LED alignment and enhances contrast while resisting vibration and shock. Units operate on DC voltage.

**Other LEDs are available including:** ultra bright, high brightness or clear.

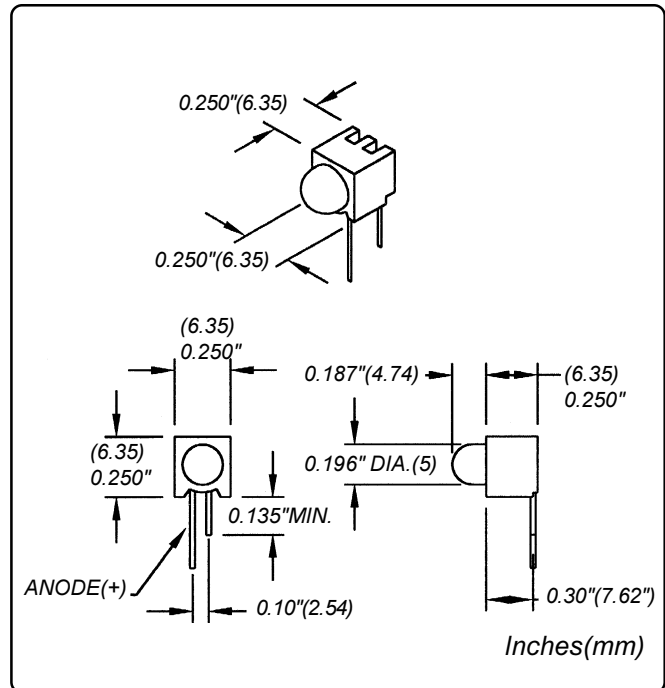
**Custom lead forming and cutting services are available.**

### Operating & Storage Temperature

Temp. Range: -40°C to +85°C.

### Lead Solder Temperature

Soldering temp. 260°C max. Solder time for 3 seconds for distance from solder case to joint > 2mm or 5 seconds with distance from solder case to joint > 4mm.



Part Number	Color	Lens Type	Typical Intensity mcd	Test Current mA	Forward Voltage Typical	Forward Voltage Max	Reverse Voltage Max	Typical Wavelength nm	Viewing Angle
L3151-DG	Green	Diffused	30	10	2.2	2.5	5V	565	60°
L3151-DR	Red	Diffused	60	10	2	2.5	5V	625	60°
L3151-DY	Yellow	Diffused	30	10	2.1	2.5	5V	590	60°
L3151-DG5	Green	Diffused	30	12	5	7.5	5V	565	60°
L3151-DR5	Red	Diffused	60	12	5	7.5	5V	625	60°
L3151-DY5	Yellow	Diffused	30	12	5	7.5	5V	590	60°
L3151-DG12	Green	Diffused	30	11	12	15	5V	565	60°
L3151-DR12	Red	Diffused	60	11	12	15	5V	625	60°
L3151-DY12	Yellow	Diffused	30	12	12	15	5V	590	60°
L3151-DGL	Green	Diffused	4	2	1.9	2.2	5V	565	60°
L3151-DRL	Red	Diffused	5	2	1.7	2	5V	625	60°
L3151-DYL	Yellow	Diffused	4	2	1.8	2.1	5V	590	60°

## L3251 SERIES

- RIGHT ANGLE LED CIRCUIT BOARD INDICATORS
- T-1 3/4(5MM) SIZE • DIFFUSED LENS
- 2, 5 OR 12 VOLTS, OR LOW CURRENT LEDs

### Overview

The L3251 Series of circuit board indicators is constructed with a right angle housing and diffused, T-1-3/4 (5mm) LEDs. The black nylon housing assures proper LED alignment and enhances contrast while resisting vibration and shock. A press-in secures the unit to the printed circuit board to facilitate soldering. Units operate on DC voltage.

**Other LEDs are available including:** ultra bright, high brightness or clear.

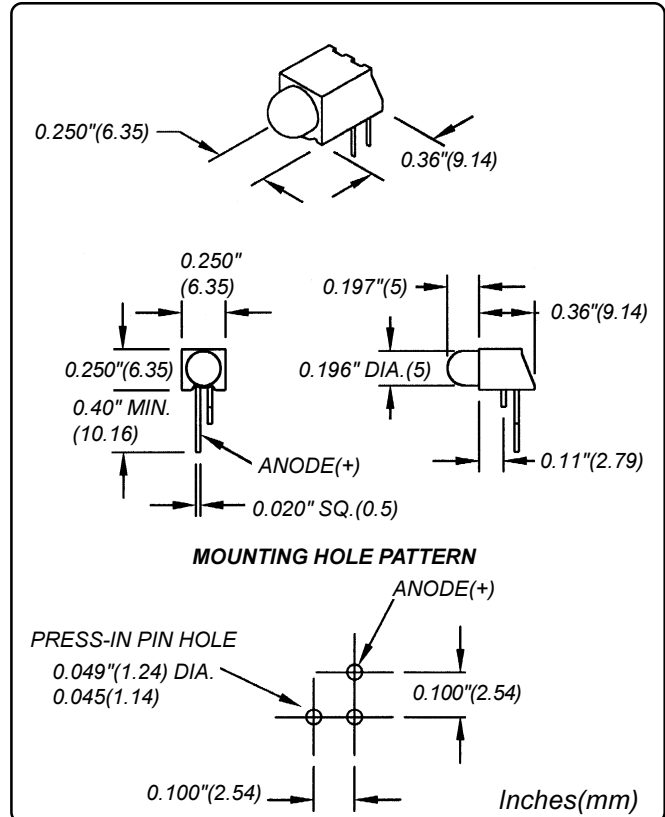
**Custom lead forming and cutting services are available.**

### Operating & Storage Temperature

Temp. Range: -40°C to +85°C.

### Lead Solder Temperature

Soldering temp. 260°C max. Solder time for 3 seconds for distance from solder case to joint > 2mm or 5 seconds with distance from solder case to joint > 4mm.



Part Number	Color	Lens Type	Typical Intensity mcd	Test Current mA	Forward Voltage Typical	Forward Voltage Max	Reverse Voltage Max	Typical Wavelength nm	Viewing Angle
L3251-DG	Green	Diffused	30	10	2.2	2.5	5V	565	60°
L3251-DR	Red	Diffused	60	10	2	2.5	5V	625	60°
L3251-DY	Yellow	Diffused	30	10	2.1	2.5	5V	590	60°
L3251-DG5	Green	Diffused	30	12	5	7.5	5V	565	60°
L3251-DR5	Red	Diffused	60	12	5	7.5	5V	625	60°
L3251-DY5	Yellow	Diffused	30	12	5	7.5	5V	590	60°
L3251-DG12	Green	Diffused	30	11	12	15	5V	565	60°
L3251-DR12	Red	Diffused	60	11	12	15	5V	625	60°
L3251-DY12	Yellow	Diffused	30	12	12	15	5V	590	60°
L3251-DGL	Green	Diffused	4	2	1.9	2.2	5V	565	60°
L3251-DRL	Red	Diffused	5	2	1.7	2	5V	625	60°
L3251-DYL	Yellow	Diffused	4	2	1.8	2.1	5V	590	60°

## L3301 SERIES

- VERTICAL LED CIRCUIT BOARD INDICATORS
- T-1 3/4(5MM) SIZE • DIFFUSED LENS
- 2, 5 OR 12 VOLTS, OR LOW CURRENT LEDs

### Overview

The L3301 Series of circuit board indicators is constructed with a vertical housing and diffused, T-1-3/4 (5mm) LEDs. The black nylon housing assures proper LED alignment and enhances contrast while resisting vibration and shock. A press-in pin secures the unit to the printed circuit board to facilitate soldering. Units operate on DC voltage.

**Other LEDs are available including:** ultra bright, high brightness or clear.

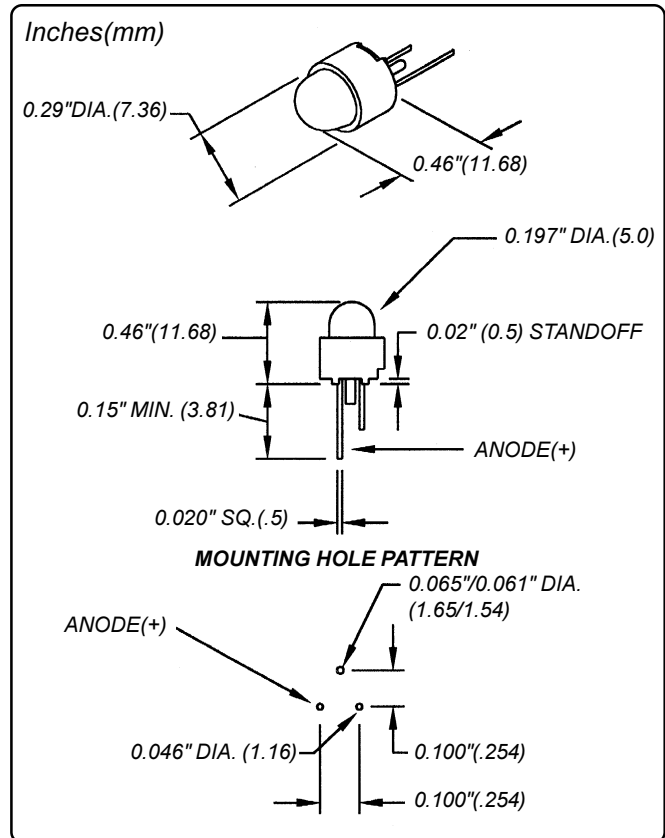
**Custom lead forming and cutting services are available.**

### Operating & Storage Temperature

Temp. Range: -40°C to +85°C.

### Lead Solder Temperature

Soldering temp. 260°C max. Solder time for 3 seconds for distance from solder case to joint > 2mm or 5 seconds with distance from solder case to joint > 4mm.



Part Number	Color	Lens Type	Typical Intensity mcd	Test Current mA	Forward Voltage Typical	Forward Voltage Max	Reverse Voltage Max	Typical Wavelength nm	Viewing Angle
L3301-DG	Green	Diffused	30	10	2.2	2.5	5V	565	60°
L3301-DR	Red	Diffused	60	10	2	2.5	5V	625	60°
L3301-DY	Yellow	Diffused	30	10	2.1	2.5	5V	590	60°
L3301-DG5	Green	Diffused	30	12	5	7.5	5V	565	60°
L3301-DR5	Red	Diffused	60	12	5	7.5	5V	625	60°
L3301-DY5	Yellow	Diffused	30	12	5	7.5	5V	590	60°
L3301-DG12	Green	Diffused	30	11	12	15	5V	565	60°
L3301-DR12	Red	Diffused	60	11	12	15	5V	625	60°
L3301-DY12	Yellow	Diffused	30	12	12	15	5V	590	60°
L3301-DGL	Green	Diffused	4	2	1.9	2.5	5V	565	60°
L3301-DRL	Red	Diffused	5	2	1.7	2.5	5V	625	60°
L3301-DYL	Yellow	Diffused	4	2	1.8	2.5	5V	590	60°

## L3304 SERIES

- VERTICAL LED CIRCUIT BOARD INDICATORS
- T-1 3/4(5MM) SIZE • DIFFUSED LENS
- 2, 5 OR 12 VOLTS, OR LOW CURRENT LEDs

### Overview

The L3304 Series of circuit board indicators is constructed with a vertical housing and diffused, T-1-3/4 (5mm) LEDs. The black nylon housing assures proper LED alignment and enhances contrast while resisting vibration and shock. A press-in pin secures the unit to the printed circuit board to facilitate soldering. Units operate on DC voltage.

**Other LEDs are available including:** ultra bright, high brightness or clear.

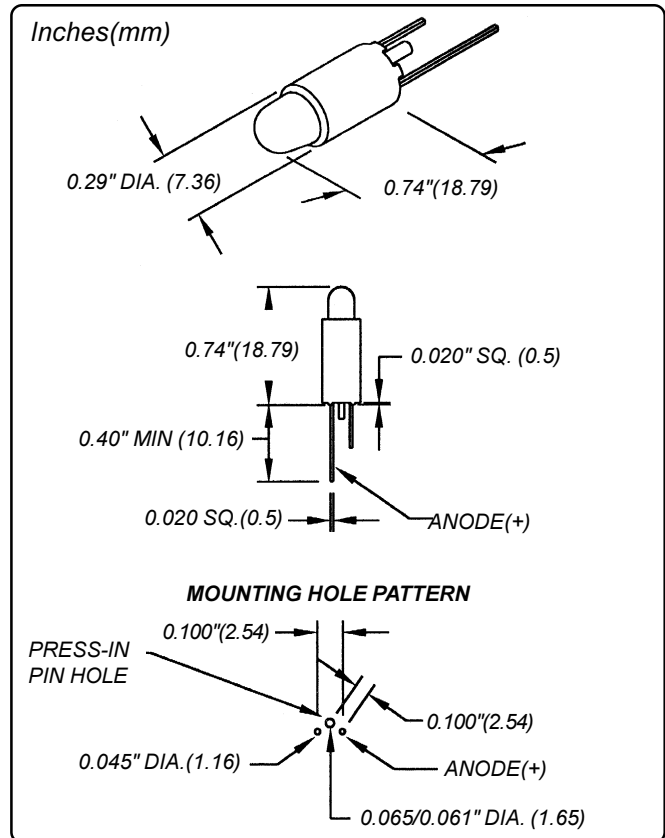
**Custom lead forming and cutting services are available.**

### Operating & Storage Temperature

Temp. Range: -40°C to +85°C.

### Lead Solder Temperature

Soldering temp. 260°C max. Solder time for 3 seconds for distance from solder case to joint > 2mm or 5 seconds with distance from solder case to joint > 4mm.



Part Number	Color	Lens Type	Typical Intensity mcd	Test Current mA	Forward Voltage Typical	Forward Voltage Max	Reverse Voltage Max	Typical Wavelength nm	Viewing Angle
L3304-DG	Green	Diffused	30	10	2.2	2.5	5V	565	60°
L3304-DR	Red	Diffused	60	10	2	2.5	5V	625	60°
L3304-DY	Yellow	Diffused	30	10	2.1	2.5	5V	590	60°
L3304-DG5	Green	Diffused	30	12	5	7.5	5V	565	60°
L3304-DR5	Red	Diffused	60	12	5	7.5	5V	625	60°
L3304-DY5	Yellow	Diffused	30	12	5	7.5	5V	590	60°
L3304-DG12	Green	Diffused	30	11	12	15	5V	565	60°
L3304-DR12	Red	Diffused	60	11	12	15	5V	625	60°
L3304-DY12	Yellow	Diffused	30	12	12	15	5V	590	60°
L3304-DGL	Green	Diffused	4	2	1.9	2.5	5V	565	60°
L3304-DRL	Red	Diffused	5	2	1.7	2.5	5V	625	60°
L3304-DYL	Yellow	Diffused	4	2	1.8	2.5	5V	590	60°

## L3351 SERIES

- RIGHT ANGLE CYLINDRICAL LED CIRCUIT BOARD INDICATORS
- T-1 3/4(5MM) SIZE • DIFFUSED LENS
- 2, 5 OR 12 VOLTS, OR LOW CURRENT LEDS

### Overview

The L3351 Series of circuit board indicators is constructed with a right angle cylindrical-shaped housing and diffused, T-1-3/4 (5mm) LEDs. The black nylon housing assures proper LED alignment and enhances contrast while resisting vibration and shock. Standoffs on the housing facilitate printed circuit board cleaning and helps prevent flux entrapment. Units operate on DC voltage.

**Other LEDs are available including:** ultra bright, high brightness or clear.

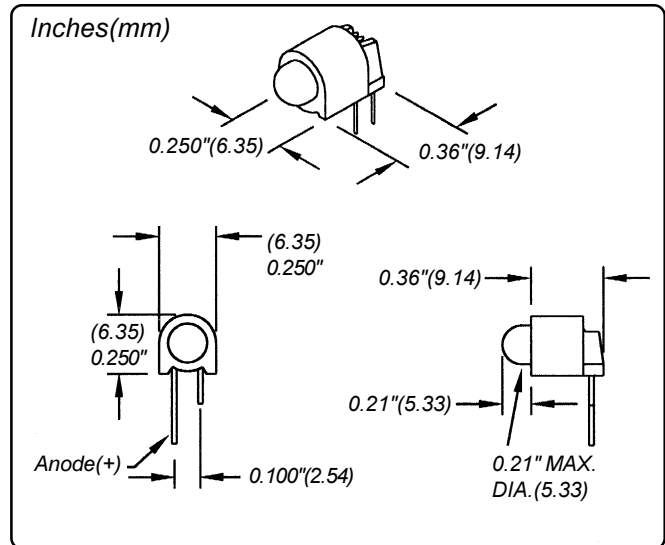
**Custom lead forming and cutting services are available.**

### Operating & Storage Temperature

Temp. Range: -40°C to +85°C.

### Lead Solder Temperature

Soldering temp. 260°C max. Solder time for 3 seconds for distance from solder case to joint > 2mm or 5 seconds with distance from solder case to joint > 4mm.



**Can't find it here? We have many more standard and custom solutions.**

For information phone Customer Service at 954-425-0123 or complete the "Fast FAX" form on Appendix, page A-1.

Part Number	Color	Lens Type	Typical Intensity mcd	Test Current mA	Forward Voltage Typical	Forward Voltage Max	Reverse Voltage Max	Typical Wavelength (nm)	Viewing Angle
L3351-DG	Green	Diffused	30	10	2.2	2.5	5V	565	60°
L3351-DR	Red	Diffused	60	10	2	2.5	5V	625	60°
L3351-DY	Yellow	Diffused	30	10	2.1	2.5	5V	590	60°
L3351-DG5	Green	Diffused	30	12	5	7.5	5V	565	60°
L3351-DR5	Red	Diffused	60	12	5	7.5	5V	625	60°
L3351-DY5	Yellow	Diffused	30	12	5	7.5	5V	590	60°
L3351-DG12	Green	Diffused	30	11	12	15	5V	565	60°
L3351-DR12	Red	Diffused	60	11	12	15	5V	625	60°
L3351-DY12	Yellow	Diffused	30	12	12	15	5V	590	60°
L3351-DGL	Green	Diffused	4	2	1.9	2.5	5V	565	60°
L3351-DRL	Red	Diffused	5	2	1.7	2.5	5V	625	60°
L3351-DYL	Yellow	Diffused	4	2	1.8	2.5	5V	590	60°

## L3352 SERIES

- RIGHT ANGLE DUAL OCTAGONAL LED CIRCUIT BOARD INDICATORS
- T-1 3/4(5MM) SIZE • DIFFUSED LENS • TWO LEDS PER UNIT
- 2, 5 OR 12 VOLTS, OR LOW CURRENT LEDS

### Overview

The L3352 Series of circuit board indicators is constructed with a dual (two LEDs per unit) right angle octagonal-shaped housing and diffused, T-1-3/4 (5mm) LEDs. The black nylon housing assures proper LED alignment and enhances contrast while resisting vibration and shock. Units operate on DC voltage.

**Other LEDs are available including:** ultra bright, high brightness or clear.

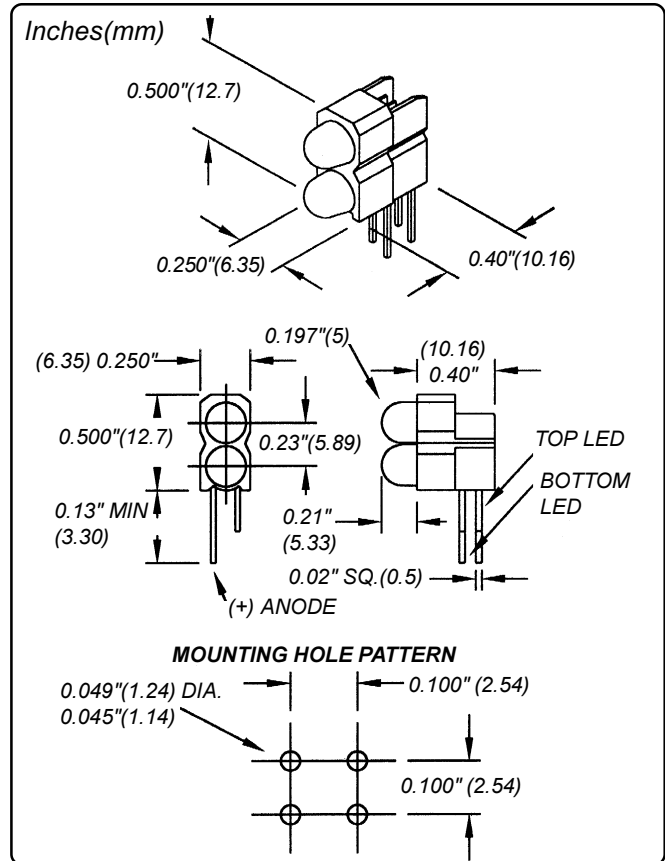
**Custom lead forming and cutting services are available.**

### Operating & Storage Temperature

Temp. Range: -40°C to +85°C.

### Lead Solder Temperature

Soldering temp. 260°C max. Solder time for 3 seconds for distance from solder case to joint > 2mm or 5 seconds with distance from solder case to joint > 4mm.



Part Number	Color	Lens Type	Typical Intensity mcd	Test Current mA	Forward Voltage Typical	Forward Voltage Max	Reverse Voltage Max	Typical Wavelength (nm)	Viewing Angle
L3352-DGDG	Green	Diffused	30	10	2.2	2.5	5V	565	60°
L3352-DRDR	Red	Diffused	60	10	2	2.5	5V	625	60°
L3352-DYDY	Yellow	Diffused	30	10	2.1	2.5	5V	590	60°
L3352-DG5DG5	Green	Diffused	30	12	5	7.5	5V	565	60°
L3352-DR5DR5	Red	Diffused	60	12	5	7.5	5V	625	60°
L3352-DY5DY5	Yellow	Diffused	30	12	5	7.5	5V	590	60°
L3352-DG12DG12	Green	Diffused	30	11	12	15	5V	565	60°
L3352-DR12DR12	Red	Diffused	60	11	12	15	5V	625	60°
L3352-DY12DY12	Yellow	Diffused	30	12	12	15	5V	590	60°
L3352-DGLDGL	Green	Diffused	4	2	1.9	2.5	5V	565	60°
L3352-DRLDRL	Red	Diffused	5	2	1.7	2.5	5V	625	60°
L3352-DYLDYL	Yellow	Diffused	4	2	1.8	2.5	5V	590	60°

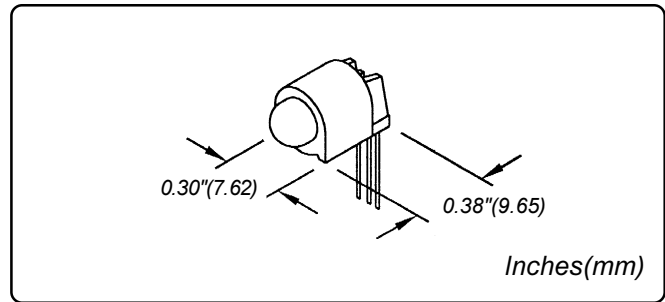


## L3353 SERIES

- RIGHT ANGLE CYLINDRICAL LED CIRCUIT BOARD INDICATORS
- T-1 3/4(5MM) SIZE • TRI-COLOR LEDS WITH THREE LEADS
- STANDARD EFFICIENCY DIFFUSED LEDS
- 2 VOLT LEDS • OTHER VOLTAGES AVAILABLE

### Overview

The L3353 Series of circuit board indicators is constructed with a right angle cylindrical-shaped housing and diffused, T-1-3/4 (5mm), tri-color LED - red, green and amber light from a single lamp; or red, amber and yellow light from a single lamp; or green, yellow-green and yellow from a single lamp. The black nylon housing assures proper LED alignment and enhances contrast while resisting vibration and shock. Standoffs on the housing facilitate printed circuit board cleaning and help prevent flux entrapment. Units operate on DC voltage.



**Other LEDs are available including:**  
ultra bright, high brightness or clear.

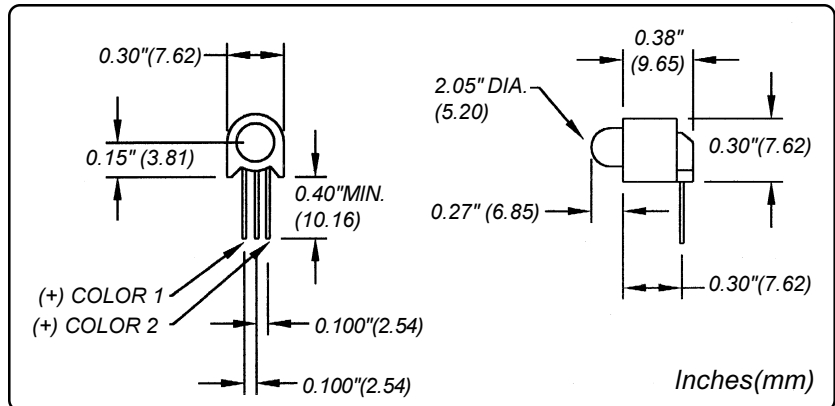
**Custom lead forming and cutting services are available.**

### Operating & Storage Temp.

Temp. Range: -40°C to +85°C.

### Lead Solder Temperature

Soldering temp. 260°C max. Solder time for 3 seconds for distance from solder case to joint > 2mm or 5 seconds with distance from solder case to joint > 4mm.



**Can't find it here? We have many more standard and custom solutions.**

For information phone Customer Service at 954-425-0123 or complete the "Fast FAX" form on Appendix, page A-1.

Part Number	Color Color1/Color2	Lens Type	Typical Intensity mcd	Test Current mA	Forward Voltage Typical	Forward Voltage Max	Reverse Voltage Max	Typical Wavelength (nm)	Viewing Angle
L3353-MWGR	Green/Red	Diffused	60/80	20/20	2.2/2.0	2.5/2.5	5V/5V	565/625	60°/60°
L3353-MWRG	Red/Green	Diffused	80/60	20/20	2.0/2.2	2.5/2.5	5V/5V	625/565	60°/60°
L3353-MWGY	Green/Yellow	Diffused	60/60	20/20	2.2/2.1	2.5/2.5	5V/5V	565/590	60°/60°
L3353-MWYG	Yellow/Green	Diffused	60/60	20/20	2.1/2.2	2.5/2.5	5V/5V	590/565	60°/60°
L3353-MWRY	Red/Yellow	Diffused	80/60	20/20	2.0/2.1	2.5/2.5	5V/5V	625/590	60°/60°
L3353-MWYR	Yellow/Red	Diffused	60/80	20/20	2.1/2.0	2.5/2.5	5V/5V	590/625	60°/60°

## L3451 SERIES OF

- RIGHT ANGLE CYLINDRICAL LED CIRCUIT BOARD INDICATORS
- T-1 3/4(5MM) SIZE • DIFFUSED LENS
- 2, 5 OR 12 VOLTS, OR LOW CURRENT LEDS

### Overview

The L3451 Series of circuit board indicators is constructed with a right angle cylindrical-shaped housing and diffused, T-1-3/4 (5mm) LEDs. The black nylon housing assures proper LED alignment and enhances contrast while resisting vibration and shock. Units operate on DC voltage.

**Other LEDs are available including:** ultra bright, high brightness or clear.

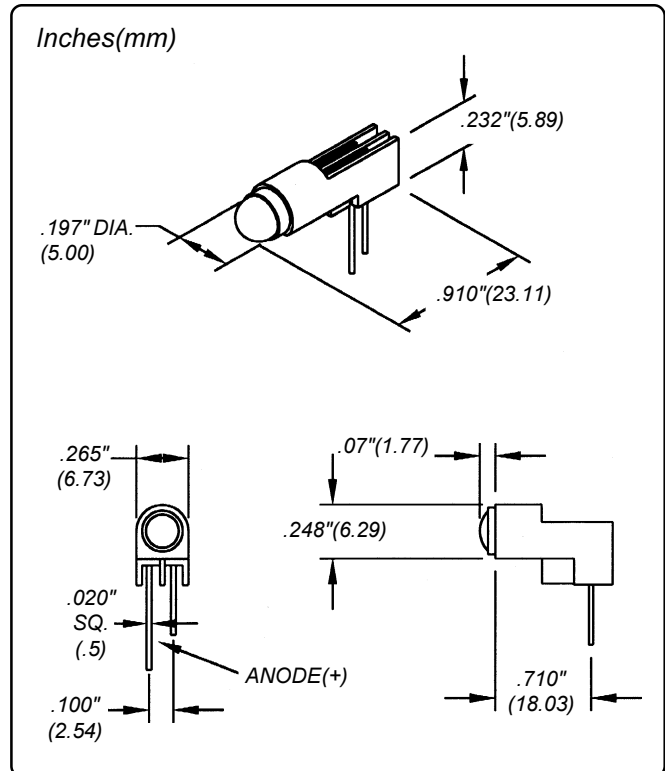
**Custom lead forming and cutting services are available.**

### Operating & Storage Temperature

Temp. Range: -40°C to +85°C.

### Lead Solder Temperature

Soldering temp. 260°C max. Solder time for 3 seconds for distance from solder case to joint > 2mm or 5 seconds with distance from solder case to joint > 4mm.



Part Number	Color	Lens Type	Typical Intensity mcd	Test Current mA	Forward Voltage Typical	Forward Voltage Max	Reverse Voltage Max	Typical Wavelength nm	Viewing Angle
L3451-DG	Green	Diffused	30	10	2.2	2.5	5V	565	60°
L3451-DR	Red	Diffused	60	10	2	2.5	5V	625	60°
L3451-DY	Yellow	Diffused	30	10	2.1	2.5	5V	590	60°
L3451-DG5	Green	Diffused	30	12	5	7.5	5V	565	60°
L3451-DR5	Red	Diffused	60	12	5	7.5	5V	625	60°
L3451-DY5	Yellow	Diffused	30	12	5	7.5	5V	590	60°
L3451-DG12	Green	Diffused	30	11	12	15	5V	565	60°
L3451-DR12	Red	Diffused	60	11	12	15	5V	625	60°
L3451-DY12	Yellow	Diffused	30	12	12	15	5V	590	60°
L3451-DGL	Green	Diffused	4	2	1.9	2.5	5V	565	60°
L3451-DRL	Red	Diffused	5	2	1.7	2.5	5V	625	60°
L3451-DYL	Yellow	Diffused	4	2	1.8	2.5	5V	590	60°

## L3551 SERIES

- RIGHT ANGLE LED CIRCUIT BOARD INDICATORS
- T-1 3/4(5MM) SIZE • DIFFUSED LENS
- 2, 5 OR 12 VOLTS, OR LOW CURRENT LEDS

### Overview

The L3551 Series of circuit board indicators is constructed with a right angle housing and diffused, T-1-3/4 (5mm) LEDs. The black nylon housing assures proper LED alignment and enhances contrast while resisting vibration and shock. Units operate on DC voltage.

**Other LEDs are available including:** ultra bright, high brightness or clear.

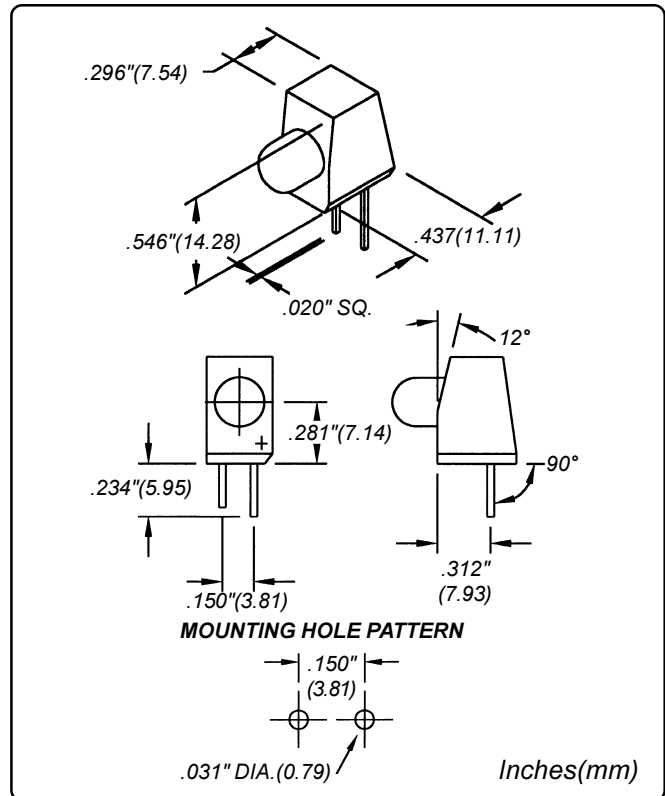
**Custom lead forming and cutting services are available.**

### Operating & Storage Temperature

Temp. Range: -40°C to +85°C.

### Lead Solder Temperature

Soldering temp. 260°C max. Solder time for 3 seconds for distance from solder case to joint > 2mm or 5 seconds with distance from solder case to joint > 4mm.



Part Number	Color	Lens Type	Typical Intensity mcd	Test Current mA	Forward Voltage Typical	Forward Voltage Max	Reverse Voltage Max	Typical Wavelength nm	Viewing Angle
L3551-DG	Green	Diffused	30	10	2.2	2.5	5V	565	60°
L3551-DR	Red	Diffused	60	10	2	2.5	5V	625	60°
L3551-DY	Yellow	Diffused	30	10	2.1	2.5	5V	590	60°
L3551-DG5	Green	Diffused	30	12	5	7.5	5V	565	60°
L3551-DR5	Red	Diffused	60	12	5	7.5	5V	625	60°
L3551-DY5	Yellow	Diffused	30	12	5	7.5	5V	590	60°
L3551-DG12	Green	Diffused	30	11	12	15	5V	565	60°
L3551-DR12	Red	Diffused	60	11	12	15	5V	625	60°
L3551-DY12	Yellow	Diffused	30	12	12	15	5V	590	60°
L3551-DGL	Green	Diffused	4	2	1.9	2.5	5V	565	60°
L3551-DRL	Red	Diffused	5	2	1.7	2.5	5V	625	60°
L3551-DYL	Yellow	Diffused	4	2	1.8	2.5	5V	590	60°

## L3552 SERIES

- RIGHT ANGLE LED CIRCUIT BOARD INDICATORS
- T-1 3/4(5MM) SIZE • DIFFUSED LENS
- 2, 5 OR 12 VOLTS, OR LOW CURRENT LEDs

### Overview

The L3552 Series of circuit board indicators is constructed with a right angle housing and diffused, T-1-3/4 (5mm) LEDs. The black nylon housing assures proper LED alignment and enhances contrast while resisting vibration and shock. Units operate on DC voltage.

**Other LEDs are available including:** ultra bright, high brightness or clear.

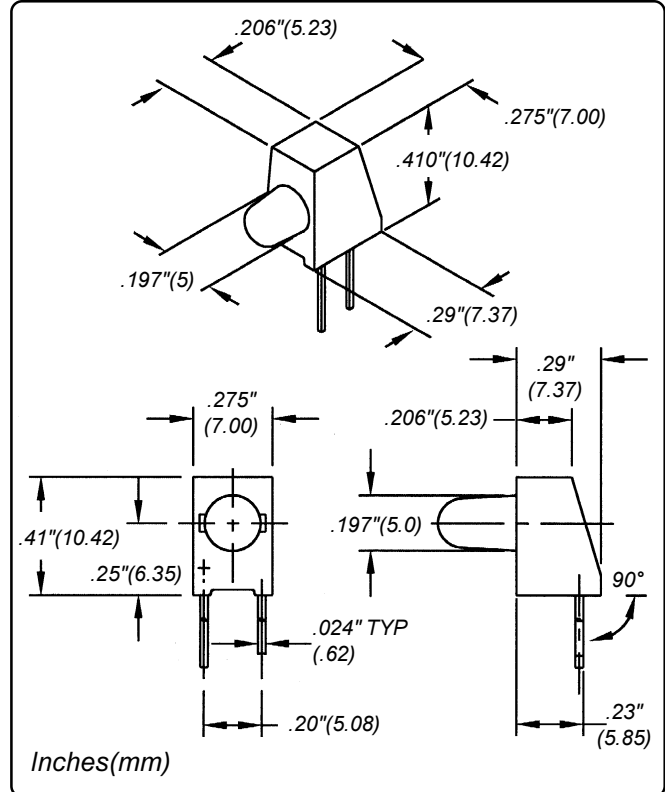
**Custom lead forming and cutting services are available.**

### Operating & Storage Temperature

Temp. Range: -40°C to +85°C.

### Lead Solder Temperature

Soldering temp. 260°C max. Solder time for 3 seconds for distance from solder case to joint > 2mm or 5 seconds with distance from solder case to joint > 4mm.



Part Number	Color	Lens Type	Typical Intensity mcd	Test Current mA	Forward Voltage Typical	Forward Voltage Max	Reverse Voltage Max	Typical Wavelength nm	Viewing Angle
L3552-DG	Green	Diffused	30	10	2.2	2.5	5V	565	60°
L3552-DR	Red	Diffused	60	10	2	2.5	5V	625	60°
L3552-DY	Yellow	Diffused	30	10	2.1	2.5	5V	590	60°
L3552-DG5	Green	Diffused	30	12	5	7.5	5V	565	60°
L3552-DR5	Red	Diffused	60	12	5	7.5	5V	625	60°
L3552-DY5	Yellow	Diffused	30	12	5	7.5	5V	590	60°
L3552-DG12	Green	Diffused	30	11	12	15	5V	565	60°
L3552-DR12	Red	Diffused	60	11	12	15	5V	625	60°
L3552-DY12	Yellow	Diffused	30	12	12	15	5V	590	60°
L3552-DGL	Green	Diffused	4	2	1.9	2.5	5V	565	60°
L3552-DRL	Red	Diffused	5	2	1.7	2.5	5V	625	60°
L3552-DYL	Yellow	Diffused	4	2	1.8	2.5	5V	590	60°

## L3555 SERIES

- 5 BLOCK ASSEMBLY OF RIGHT ANGLE LED CIRCUIT BOARD INDICATORS
- T-1 3/4(5MM) SIZE • DIFFUSED LENS
- 2, 5 OR 12 VOLTS, OR LOW CURRENT LEDS

### Overview

The L3555 Series of circuit board indicators is constructed with a 5 block right angle housing and diffused, T-1-3/4 (5mm) LEDs. The black nylon housing assures proper LED alignment and enhances contrast while resisting vibration and shock. Units operate on DC voltage. Contact your customer service representative for specific ordering information.

**Other LEDs are available including:** ultra bright, high brightness or clear.

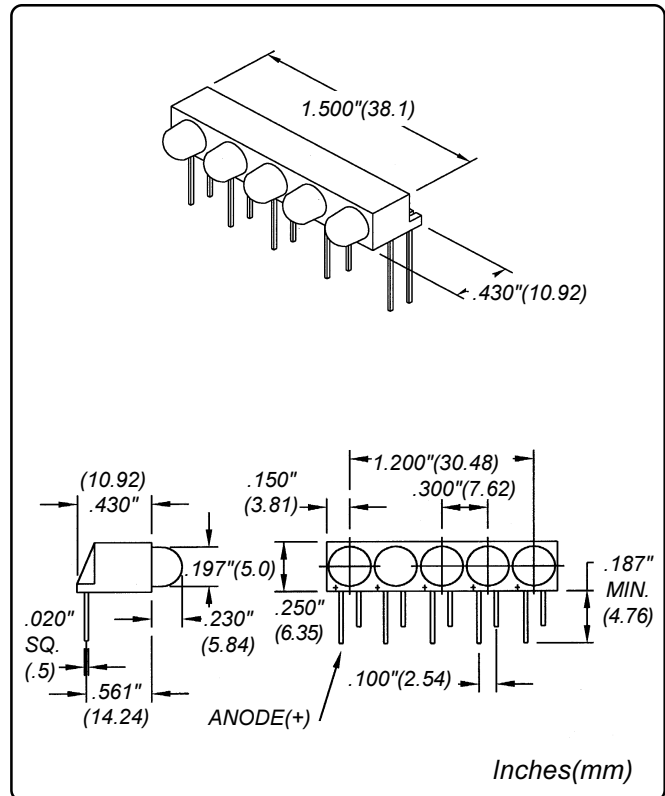
**Custom lead forming and cutting services are available.**

### Operating & Storage Temperature

Temp. Range: -40°C to +85°C.

### Lead Solder Temperature

Soldering temp. 260°C max. Solder time for 3 seconds for distance from solder case to joint > 2mm or 5 seconds with distance from solder case to joint > 4mm.



Part Number	LED Type	Color	Lens Type	Typical Intensity mcd	Test Current mA	Forward Voltage Typical	Forward Voltage Max	Reverse Voltage Max	Typical Wavelength nm	Viewing Angle
G	Standard	Green	Diffused	30	10	2.2	2.5	5V	565	60°
R	Standard	Red	Diffused	60	10	2	2.5	5V	625	60°
Y	Standard	Yellow	Diffused	30	10	2.1	2.5	5V	590	60°
G-5V	5 Volts	Green	Diffused	30	12	5	7.5	5V	565	60°
R-5V	5 Volts	Red	Diffused	60	12	5	7.5	5V	625	60°
Y-5V	5 Volts	Yellow	Diffused	30	12	5	7.5	5V	590	60°
G-12V	12 Volts	Green	Diffused	30	11	12	15	5V	565	60°
R-12V	12 Volts	Red	Diffused	60	11	12	15	5V	625	60°
Y-12V	12 Volts	Yellow	Diffused	30	12	12	15	5V	590	60°
G-LC	Low Current	Green	Diffused	4	2	1.9	2.5	5V	565	60°
R-LC	Low Current	Red	Diffused	5	2	1.7	2.5	5V	625	60°
Y-LC	Low Current	Yellow	Diffused	4	2	1.8	2.5	5V	590	60°

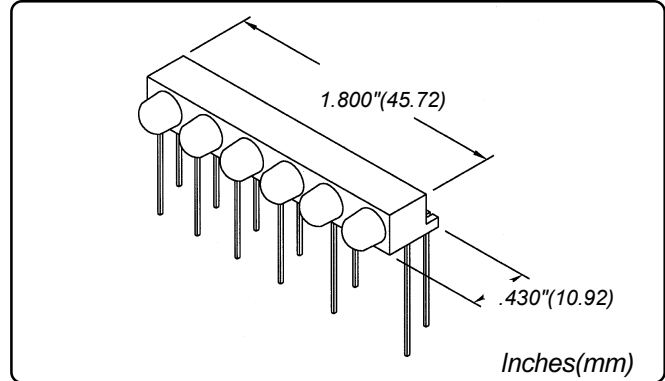
## L3656 SERIES

- 6 BLOCK ASSEMBLY OF RIGHT ANGLE LED CIRCUIT BOARD INDICATORS
- T-1 3/4(5MM) SIZE • DIFFUSED LENS
- 2, 5 OR 12 VOLTS, OR LOW CURRENT LEDS

### Overview

The L3656 Series of circuit board indicators is constructed with a 6 block right angle housing and diffused, T-1-3/4 (5mm) LEDs. The black nylon housing assures proper LED alignment and enhances contrast while resisting vibration and shock. Units operate on DC voltage. Contact your customer service representative for specific ordering information.

**Other LEDs are available including:** ultra bright, high brightness or clear.  
**Custom lead forming and cutting services are available.**

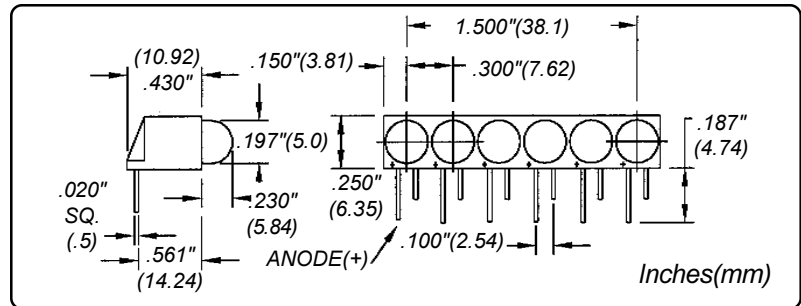


### Operating & Storage Temp.

Temp. Range: -40°C to +85°C.

### Lead Solder Temperature

Soldering temp. 260°C max. Solder time for 3 seconds for distance from solder case to joint > 2mm or 5 seconds with distance from solder case to joint > 4mm.



Part Number	LED Type	Color	Lens Type	Typical Intensity mcd	Test Current mA	Forward Voltage Typical	Forward Voltage Max	Reverse Voltage Max	Typical Wavelength nm	Viewing Angle
G	Standard	Green	Diffused	30	10	2.2	2.5	5V	565	60°
R	Standard	Red	Diffused	60	10	2	2.5	5V	625	60°
Y	Standard	Yellow	Diffused	30	10	2.1	2.5	5V	590	60°
G-5V	5 Volts	Green	Diffused	30	12	5	7.5	5V	565	60°
R-5V	5 Volts	Red	Diffused	60	12	5	7.5	5V	625	60°
Y-5V	5 Volts	Yellow	Diffused	30	12	5	7.5	5V	590	60°
G-12V	12 Volts	Green	Diffused	30	11	12	15	5V	565	60°
R-12V	12 Volts	Red	Diffused	60	11	12	15	5V	625	60°
Y-12V	12 Volts	Yellow	Diffused	30	12	12	15	5V	590	60°
G-LC	Low Current	Green	Diffused	4	2	1.9	2.5	5V	565	60°
R-LC	Low Current	Red	Diffused	5	2	1.7	2.5	5V	625	60°
Y-LC	Low Current	Yellow	Diffused	4	2	1.8	2.5	5V	590	60°

## L3759 SERIES

- 9 BLOCK ASSEMBLY OF RIGHT ANGLE LED CIRCUIT BOARD INDICATORS
- T-1 3/4(5MM) SIZE • DIFFUSED LENS
- 2, 5 OR 12 VOLTS, OR LOW CURRENT LEDs

### Overview

The L3759 Series of circuit board indicators is constructed with a 9 block right angle housing and diffused, T-1-3/4 (5mm) LEDs. The black nylon housing assures proper LED alignment and enhances contrast while resisting vibration and shock. Units operate on DC voltage. Contact your customer service representative for specific ordering information.

**Other LEDs are available including:**  
ultra bright, high brightness or clear.

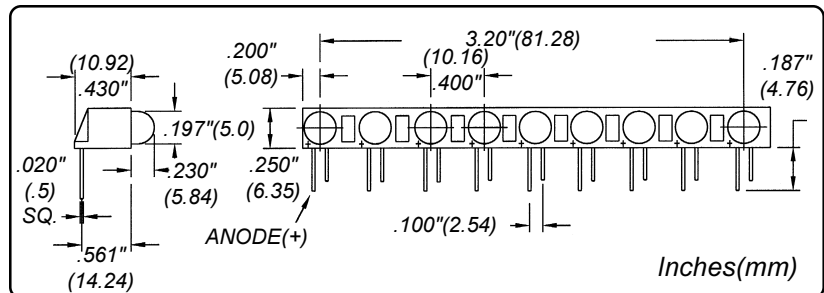
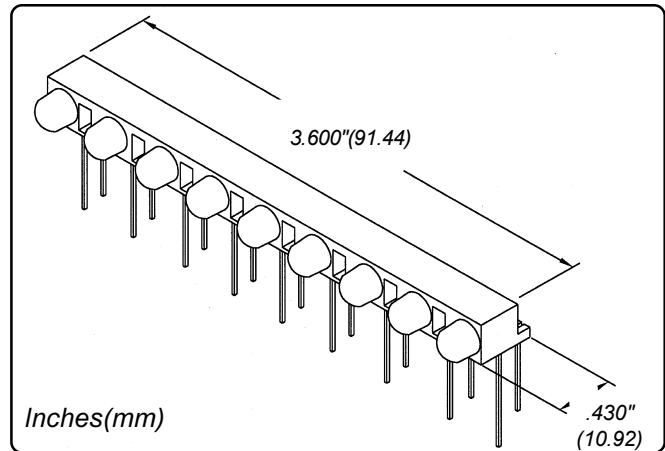
**Custom lead forming and cutting services are available.**

### Operating & Storage Temp.

Temp. Range: -40°C to +85°C.

### Lead Solder Temperature

Soldering temp. 260°C max. Solder time for 3 seconds for distance from solder case to joint > 2mm or 5 seconds with distance from solder case to joint > 4mm.



Part Number	LED Type	Color	Lens Type	Typical Intensity mcd	Test Current mA	Forward Voltage Typical	Forward Voltage Max	Reverse Voltage Max	Typical Wavelength nm	Viewing Angle
G	Standard	Green	Diffused	30	10	2.2	2.5	5V	565	60°
R	Standard	Red	Diffused	60	10	2	2.5	5V	625	60°
Y	Standard	Yellow	Diffused	30	10	2.1	2.5	5V	590	60°
G-5V	5 Volts	Green	Diffused	30	12	5	7.5	5V	565	60°
R-5V	5 Volts	Red	Diffused	60	12	5	7.5	5V	625	60°
Y-5V	5 Volts	Yellow	Diffused	30	12	5	7.5	5V	590	60°
G-12V	12 Volts	Green	Diffused	30	11	12	15	5V	565	60°
R-12V	12 Volts	Red	Diffused	60	11	12	15	5V	625	60°
Y-12V	12 Volts	Yellow	Diffused	30	12	12	15	5V	590	60°
G-LC	Low Current	Green	Diffused	4	2	1.9	2.5	5V	565	60°
R-LC	Low Current	Red	Diffused	5	2	1.7	2.5	5V	625	60°
Y-LC	Low Current	Yellow	Diffused	4	2	1.8	2.5	5V	590	60°

## L4101 SERIES

- VERTICAL BLOCK LED CIRCUIT BOARD INDICATORS • 2 MM X 5MM SIZE
- DIFFUSED LENS • STANDARD EFFICIENCY OR BI-COLOR LEDs
- 2 VOLT LEDs • OTHER VOLTAGES AVAILABLE

### Overview

The L4101 Series of circuit board indicators is constructed with a vertical housing and 2mm x 5mm, diffused, rectangular LEDs. The black nylon housing assures proper LED alignment and enhances contrast while resisting vibration and shock. Press-in pins secure the unit to the printed circuit board to facilitate soldering. Standoffs on housing facilitate printed circuit board cleaning and prevent flux entrapment. Units operate on DC voltage.

**Other LEDs are available including:** ultra bright, high brightness or clear.

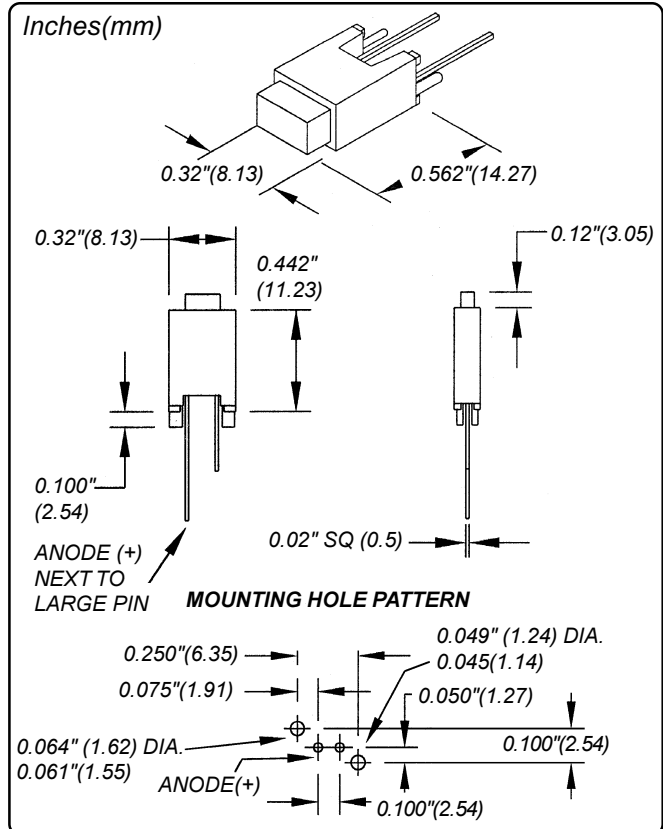
**Custom lead forming and cutting services are available.**

### Operating & Storage Temperature

Temp. Range: -40°C to +85°C.

### Lead Solder Temperature

Soldering temp. 260°C max. Solder time for 3 seconds for distance from solder case to joint > 2mm or 5 seconds with distance from solder case to joint > 4mm.



**Can't find it here? We have many more standard and custom solutions.**

For information phone Customer Service at 954-425-0123 or complete the "Fast FAX" form on Appendix, page A-1.

Part Number	Color	Lens Type	Typical Intensity mcd	Test Current mA	Forward Voltage Typical	Forward Voltage Max	Reverse Voltage Max	Typical Wavelength (nm)	Viewing Angle
L4101-DG	Green	Diffused	8	20	2.2	2.5	5V	565	110°
L4101-DR	Red	Diffused	12	20	2	2.5	5V	700	110°
L4101-DY	Yellow	Diffused	8	20	2.1	2.5	5V	590	110°
L4101-DRH	Red	Diffused	12	20	2	2.5	5V	625	110°
L4101-MWGR	Green/Red	Diffused	12/18	20	2.2/2.0	2.5	5V	565/625	110°
L4101-MWRG	Red/Green	Diffused	18/12	20	2.0/2.2	2.5	5V	625/565	110°
L4101-MWGY	Green/Yellow	Diffused	12/12	20	2.2/2.1	2.5	5V	565/590	110°
L4101-MWYG	Yellow/Green	Diffused	12/12	20	2.1/2.2	2.5	5V	590/565	110°
L4101-MWRY	Red/Yellow	Diffused	18/12	20	2.0/2.1	2.5	5V	625/590	110°
L4101-MWYR	Yellow/Red	Diffused	12/18	20	2.1/2.0	2.5	5V	590/625	110°



## L4102 SERIES

- 8 BLOCK LED ASSEMBLY
- 2 MM X 5MM SIZE • DIFFUSED LENS
- STANDARD OR BI-COLOR LEDS
- 2 VOLT LEDS • OTHERS AVAILABLE

### Overview

The L4102 Series of circuit board indicators is constructed with an 8 LED vertical block assembly housing and 2mm x 5mm, diffused, rectangular LEDs. The black nylon housing assures proper LED alignment and enhances contrast while resisting vibration and shock. Press-in pins secure the unit to the printed circuit board to facilitate soldering. Units operate on DC voltage. Contact your customer service representative for specific ordering information.

**Other LEDs are available including:** ultra bright, high brightness or clear.

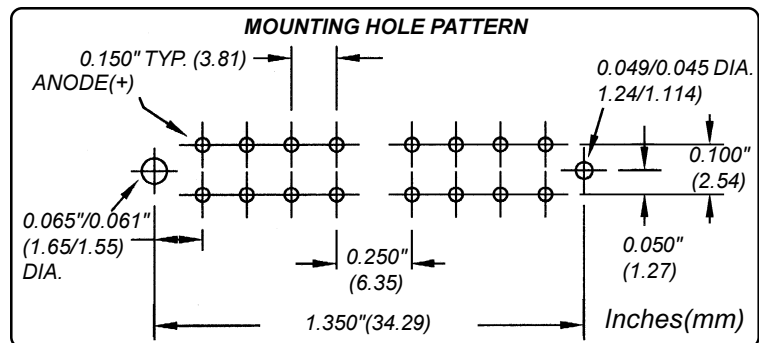
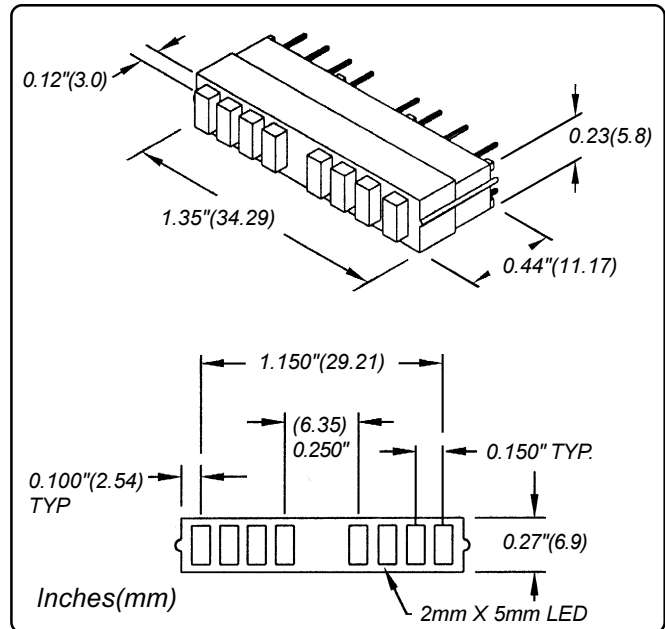
**Custom lead forming and cutting services are available.**

### Operating & Storage Temperature

Temp. Range: -40°C to +85°C.

### Lead Solder Temperature

Soldering temp. 260°C max. Solder time for 3 seconds for distance from solder case to joint > 2mm or 5 seconds with distance from solder case to joint > 4mm.



Part Number	Color	Lens Type	Typical Intensity mcd	Test Current mA	Forward Voltage Typical	Forward Voltage Max	Reverse Voltage Max	Typical Wavelength (nm)	Viewing Angle
G	Green	Diffused	8	20	2.2	2.5	5V	565	110°
R	Red	Diffused	12	20	2	2.5	5V	700	110°
Y	Yellow	Diffused	8	20	2.1	2.5	5V	590	110°
RH	Red	Diffused	12	20	2	2.5	5V	625	110°
MWGR	Green/Red	Diffused	12/18	20	2.2/2.0	2.5	5V	565/625	110°
MWRG	Red/Green	Diffused	18/12	20	2.0/2.2	2.5	5V	625/565	110°
MWGY	Green/Yellow	Diffused	12/12	20	2.2/2.1	2.5	5V	565/590	110°
MWYG	Yellow/Green	Diffused	12/12	20	2.1/2.2	2.5	5V	590/565	110°
MWRY	Red/Yellow	Diffused	18/12	20	2.0/2.1	2.5	5V	625/590	110°
MWYR	Yellow/Red	Diffused	12/18	20	2.1/2.0	2.5	5V	590/625	110°

## L4512 SERIES

- 12 BLOCK LED ASSEMBLY
- 2 MM X 5MM SIZE • DIFFUSED LENS
- STANDARD OR BI-COLOR LEDS
- 2 VOLT LEDS • OTHERS AVAILABLE

### Overview

The L4512 Series of circuit board indicators is constructed with a 12 LED right angle block assembly housing and 2mm x 5mm, diffused, rectangular LEDs. The black nylon housing assures proper LED alignment and enhances contrast while resisting vibration and shock. Units operate on DC voltage. Contact your customer service representative for specific ordering information.

**Other LEDs are available including:** ultra bright, high brightness or clear.

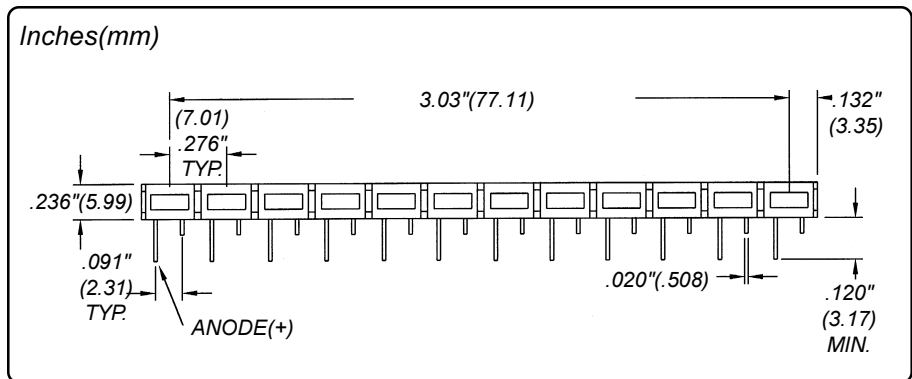
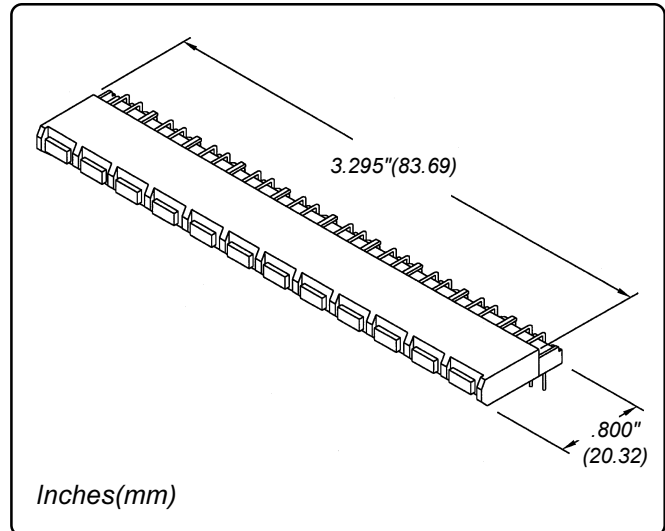
**Custom lead forming and cutting services are available.**

### Operating & Storage Temp.

Temp. Range: -40°C to +85°C.

### Lead Solder Temperature

Soldering temp. 260°C max.  
Solder time for 3 seconds for distance from solder case to joint > 2mm or 5 seconds with distance from solder case to joint > 4mm.



Part Number	Color	Lens Type	Typical Intensity mcd	Test Current mA	Forward Voltage Typical	Forward Voltage Max	Reverse Voltage Max	Typical Wavelength (nm)	Viewing Angle
G	Green	Diffused	8	20	2.2	2.5	5V	565	110°
R	Red	Diffused	12	20	2	2.5	5V	700	110°
Y	Yellow	Diffused	8	20	2.1	2.5	5V	590	110°
RH	Red	Diffused	12	20	2	2.5	5V	625	110°
MWGR	Green/Red	Diffused	12/18	20	2.2/2.0	2.5	5V	565/625	110°
MWRG	Red/Green	Diffused	18/12	20	2.0/2.2	2.5	5V	625/565	110°
MWGY	Green/Yellow	Diffused	12/12	20	2.2/2.1	2.5	5V	565/590	110°
MWYG	Yellow/Green	Diffused	12/12	20	2.1/2.2	2.5	5V	590/565	110°
MWRY	Red/Yellow	Diffused	18/12	20	2.0/2.1	2.5	5V	625/590	110°
MWYR	Yellow/Red	Diffused	12/18	20	2.1/2.0	2.5	5V	590/625	110°

## L611 & L631 SERIES

- RIGHT ANGLE WEDGE-BACK LED CIRCUIT BOARD INDICATORS
- T-1 3/4(5MM) SIZE • DIFFUSED LENS
- STANDARD AND HIGH BRIGHTNESS LEDS
- 2, 5 OR 12 VOLTS, OR LOW CURRENT LEDS

### Overview

The standard brightness L611 Series of circuit board indicators & high brightness L631 Series of circuit board indicators are constructed with a wedge-back right angle housing and diffused, T-1-3/4 (5mm) LEDs. The black nylon housing assures proper LED alignment and enhances contrast while resisting vibration and shock. Units operate on DC voltage.

**Other LEDs are available including:** ultra bright, high brightness or clear.

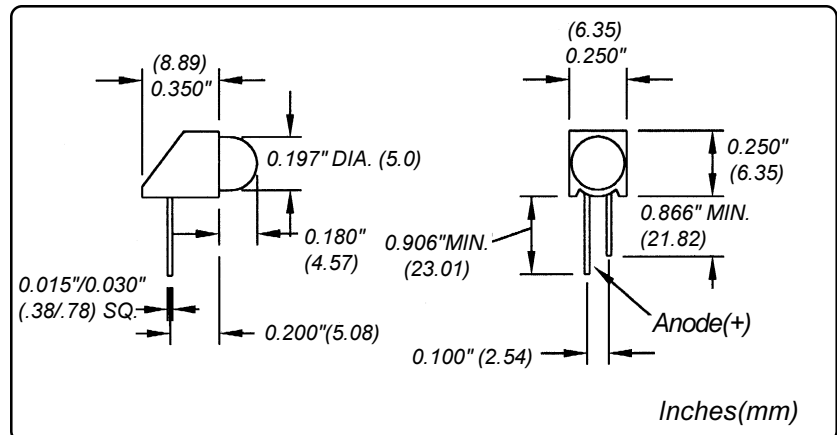
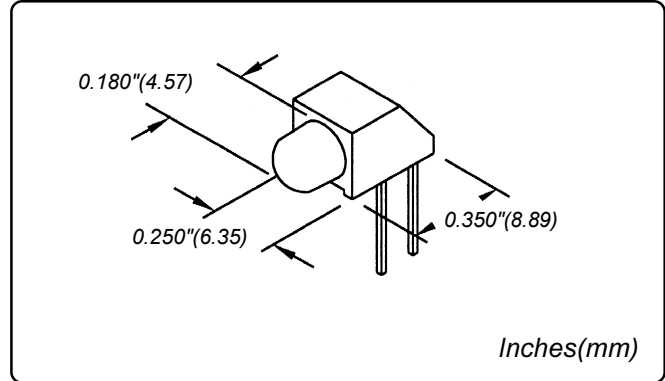
**Custom lead forming and cutting services are available.**

### Operating & Storage Temp.

Temp. Range: -40°C to +85°C.

### Lead Solder Temperature

Soldering temp. 260°C max. Solder time for 3 seconds for distance from solder case to joint > 2mm or 5 seconds with distance from solder case to joint > 4mm.



**Can't find it here? We have many more standard and custom solutions.**

For information phone Customer Service at 954-425-0123 or complete the "Fast FAX" form on Appendix, page A-1.

Part Number	Color	Lens Type	Typical Intensity mcd	Test Current mA	Forward Voltage Typical	Forward Voltage Max	Reverse Voltage Max	Typical Wavelength (nm)	Viewing Angle
L611DG	Green	Diffused	20	20	2.2	2.5	5V	565	60°
L611DR	Red	Diffused	10	20	2	2.5	5V	660	60°
L611DY	Yellow	Diffused	20	20	2.1	2.5	5V	590	60°
L611DRG	Red/Green	Diffused	10/20	20	2.0/2.2	2.5	5V	660/565	60°
L631DG	Green	Diffused	100	20	2.2	2.5	5V	565	60°
L631DR	Red	Diffused	100	20	2	2.5	5V	660	60°
L631DY	Yellow	Diffused	100	20	2.1	2.5	5V	590	60°

## L612 & L632 SERIES

- RIGHT ANGLE WEDGE-BACK LED CIRCUIT BOARD INDICATORS
- T-1 3/4(5MM) SIZE • DIFFUSED LENS
- STANDARD AND HIGH BRIGHTNESS LEDS
- 2, 5 OR 12 VOLTS, OR LOW CURRENT LEDS

### Overview

The standard brightness L612 Series of circuit board indicators & high brightness L632 Series of circuit board indicators are constructed with a wedge-back right angle housing and diffused, T-1-3/4 (5mm) LEDs. The black nylon housing assures proper LED alignment and enhances contrast while resisting vibration and shock. Units operate on DC voltage.

**Other LEDs are available including:** ultra bright, high brightness or clear.

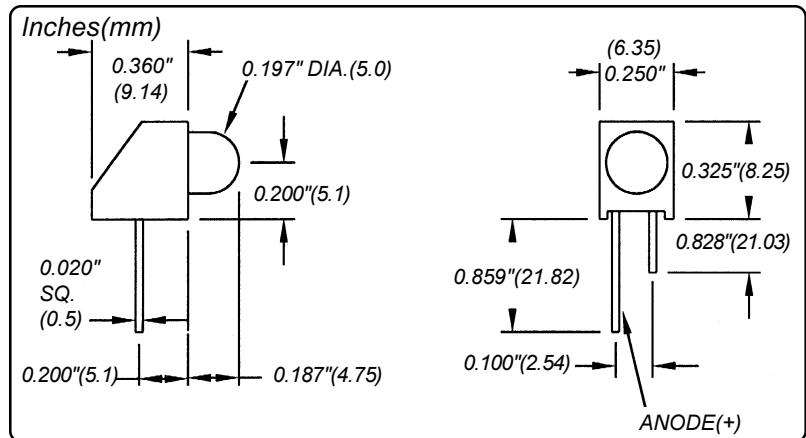
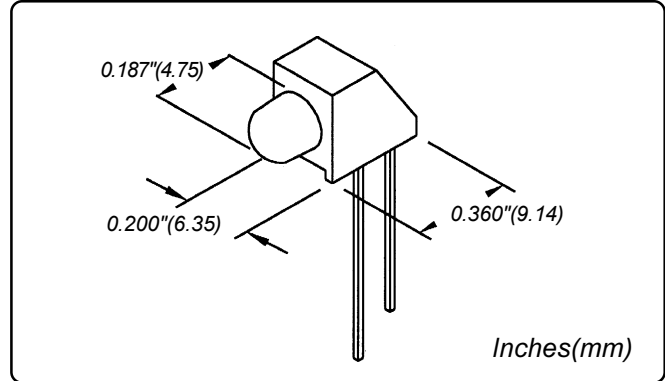
**Custom lead forming and cutting services are available.**

### Operating & Storage Temperature

Temp. Range: -40°C to +85°C.

### Lead Solder Temperature

Soldering temp. 260°C max. Solder time for 3 seconds for distance from solder case to joint > 2mm or 5 seconds with distance from solder case to joint > 4mm.



**Can't find it here? We have many more standard and custom solutions.**

For information phone Customer Service at 954-425-0123 or complete the "Fast FAX" form on Appendix, page A-1.

Part Number	Color	Lens Type	Typical Intensity mcd	Test Current mA	Forward Voltage Typical	Forward Voltage Max	Reverse Voltage Max	Typical Wavelength (nm)	Viewing Angle
L612DG	Green	Diffused	20	20	2.2	2.5	5V	565	60°
L612DR	Red	Diffused	10	20	2	2.5	5V	660	60°
L612DY	Yellow	Diffused	20	20	2.1	2.5	5V	590	60°
L612DRG	Red/Green	Diffused	10/20	20	2.0/2.2	2.5	5V	660/565	60°
L632DG	Green	Diffused	100	20	2.2	2.5	5V	565	60°
L632DR	Red	Diffused	100	20	2	2.5	5V	660	60°
L632DY	Yellow	Diffused	100	20	2.1	2.5	5V	590	60°

## L613 SERIES

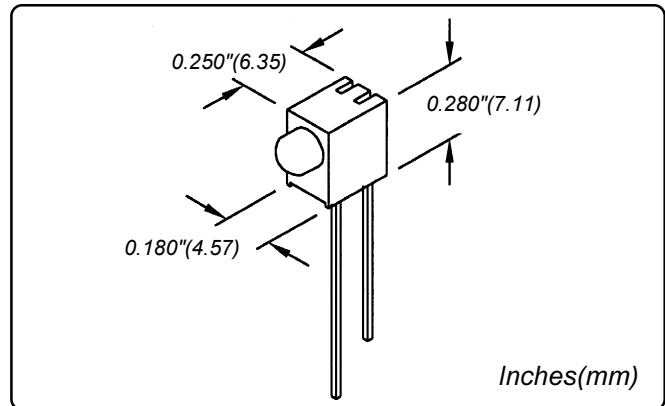
- RIGHT ANGLE LED CIRCUIT BOARD INDICATORS
- T-1 (3MM) SIZE • DIFFUSED LENS
- STANDARD AND HIGH BRIGHTNESS LEDS
- 2, 5 OR 12 VOLTS, OR LOW CURRENT LEDS

### Overview

The standard brightness L613 Series of circuit board indicators is constructed with a right angle housing and diffused, T-1 LEDs. The black nylon housing assures proper LED alignment and enhances contrast while resisting vibration and shock. Units operate on DC voltage.

**Other LEDs are available including:** ultra bright, high brightness or clear.

**Custom lead forming and cutting services are available.**

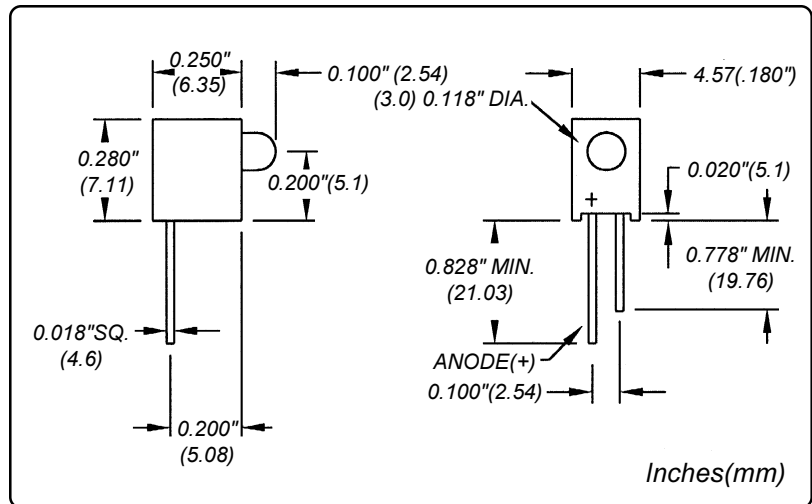


### Operating & Storage Temperature

Temp. Range: -40°C to +85°C.

### Lead Solder Temperature

Soldering temp. 260°C max. Solder time for 3 seconds for distance from solder case to joint > 2mm or 5 seconds with distance from solder case to joint > 4mm.



**Can't find it here? We have many more standard and custom solutions.**

For information phone Customer Service at 954-425-0123 or complete the "Fast FAX" form on Appendix, page A-1.

Part Number	Color	Lens Type	Typical Intensity mcd	Test Current mA	Forward Voltage Typical	Forward Voltage Max	Reverse Voltage Max	Typical Wavelength (nm)	Viewing Angle
L613DG	Green	Diffused	20	20	2.2	2.5	5V	565	60°
L613DR	Red	Diffused	10	20	2	2.5	5V	660	60°
L613DY	Yellow	Diffused	20	20	2.1	2.5	5V	590	60°

## L615 & L635 SERIES

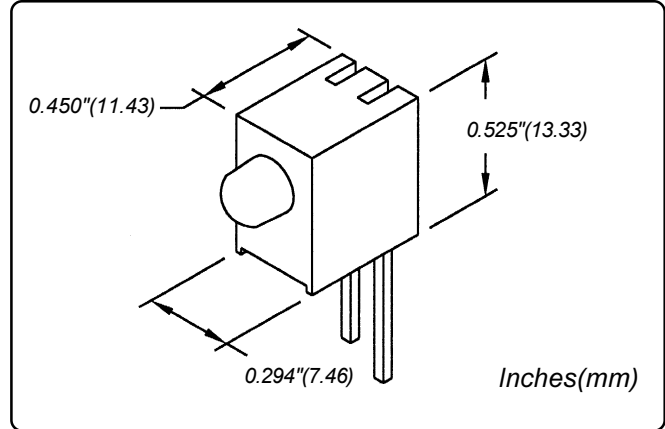
- RIGHT ANGLE LED CIRCUIT BOARD INDICATORS
- T-1 3/4(5MM) SIZE • DIFFUSED LENS
- STANDARD AND HIGH BRIGHTNESS LEDS
- 2, 5 OR 12 VOLTS, OR LOW CURRENT LEDS

### Overview

The standard brightness L615 Series of circuit board indicators & high brightness L635 Series of circuit board indicators are constructed with a right angle housing which raises the LED height and diffused, T-1-3/4 (5mm) LEDs. The black nylon housing assures proper LED alignment and enhances contrast while resisting vibration and shock. Units operate on DC voltage.

**Other LEDs are available including:** ultra bright, high brightness or clear.

**Custom lead forming and cutting services are available.**

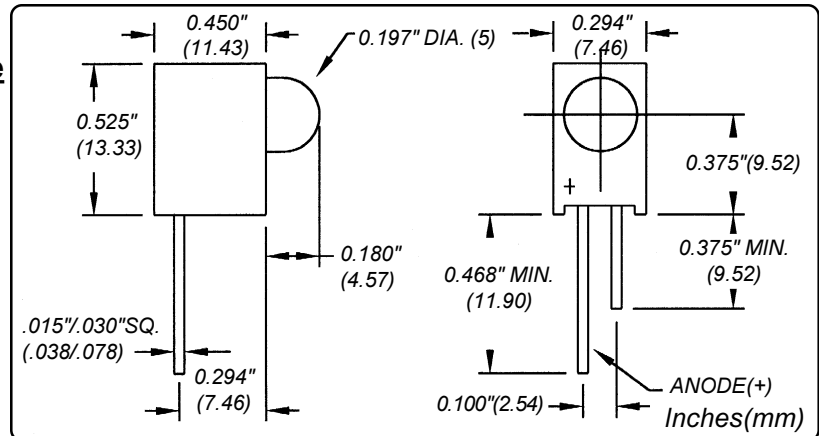


### Operating & Storage Temperature

Temp. Range: -40°C to +85°C.

### Lead Solder Temperature

Soldering temp. 260°C max. Solder time for 3 seconds for distance from solder case to joint > 2mm or 5 seconds with distance from solder case to joint > 4mm.



**Can't find it here? We have many more standard and custom solutions.**

For information phone Customer Service at 954-425-0123 or complete the "Fast FAX" form on Appendix, page A-1.

Part Number	Color	Lens Type	Typical Intensity mcd	Test Current mA	Forward Voltage Typical	Forward Volt Voltage Max	Reverse Voltage Max	Typical Wavelength (nm)	Viewing Angle
L615DG	Green	Diffused	20	20	2.2	2.5	5V	565	60°
L615DR	Red	Diffused	10	20	2	2.5	5V	660	60°
L615DY	Yellow	Diffused	20	20	2.1	2.5	5V	590	60°
L615DRG	Red/Green	Diffused	10/20	20	2.0/2.2	2.5	5V	660/565	60°
L635DG	Green	Diffused	100	20	2.2	2.5	5V	565	60°
L635DR	Red	Diffused	100	20	2	2.5	5V	660	60°
L635DY	Yellow	Diffused	100	20	2.1	2.5	5V	590	60°



## L7111 SERIES

- VERTICAL CIRCUIT BOARD SPACERS
- T-1 3/4(5MM) SIZE • DIFFUSED LENS
- 0.260", 0.375", 0.440", 0.565" HEIGHTS
- 2 VOLT LEDS • OTHERS AVAILABLE

### Overview

The L7111 Series of circuit board indicator spacers are constructed with a vertical housing and diffused, T-1-3/4 (5mm) LEDs. The white nylon 6/6 housing assures proper LED alignment and provides an economical and reliable solution for elevating free standing LEDs. The L7111 Series of circuit board indicators is ideal for applications with LEDs that may be unstable or jostled out of position due to handling. Units operate on DC voltage.

**Other LEDs are available including:** ultra bright, high brightness or clear.

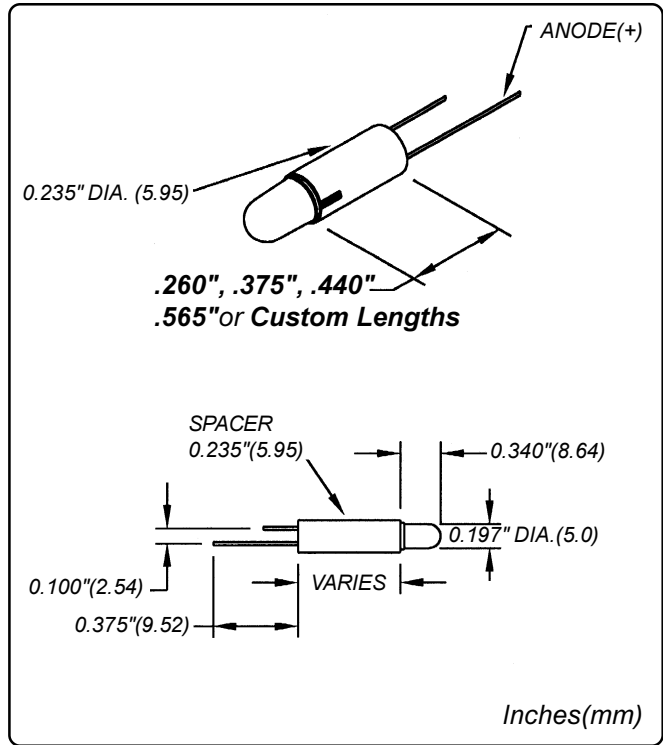
**Custom lead forming and cutting services are available.**

### Operating & Storage Temperature

Temp. Range: -40°C to +85°C.

### Lead Solder Temperature

Soldering temp. 260°C max. Solder time for 3 seconds for distance from solder case to joint > 2mm or 5 seconds with distance from solder case to joint > 4mm.



**Can't find it here? We have many more standard and custom solutions.**

For information phone Customer Service at 954-425-0123 or complete the "Fast FAX" form on Appendix, page A-1.

**Note: Height of spacer is determined after dash mark in part number.**

Part Number	Color	Lens Type	Typical Intensity mcd	Test Current mA	Forward Voltage	Forward Voltage Max	Reverse Voltage Max	Typical Wavelength (nm)	Viewing Angle
L7111DG-260	Green	Diffused	20	20	2.2	2.5	5V	565	60°
L7111DR-260	Red	Diffused	10	20	2	2.5	5V	660	60°
L7111DY-260	Yellow	Diffused	20	20	2.1	2.5	5V	590	60°
L7111DG-375	Green	Diffused	20	20	2.2	2.5	5V	565	60°
L7111DR-375	Red	Diffused	10	20	2	2.5	5V	660	60°
L7111DY-375	Yellow	Diffused	20	20	2.1	2.5	5V	590	60°
L7111DG-440	Green	Diffused	20	20	2.2	2.5	5V	565	60°
L7111DR-440	Red	Diffused	10	20	2	2.5	5V	660	60°
L7111DY-440	Yellow	Diffused	20	20	2.1	2.5	5V	590	60°
L7111DG-565	Green	Diffused	20	20	2.2	2.5	5V	565	60°
L7111DR-565	Red	Diffused	10	20	2	2.5	5V	660	60°
L7111DY-565	Yellow	Diffused	20	20	2.1	2.5	5V	590	60°



## LB611 SERIES

- RIGHT ANGLE DUAL LED CIRCUIT BOARD INDICATORS
- T-1 3/4(5MM) SIZE • DIFFUSED LENS • TWO LEDS PER UNIT
- 2, 5 OR 12 VOLTS, OR LOW CURRENT LEDS

### Overview

The LB611 Series of circuit board indicators is constructed with a dual (two LEDs per unit) right angle housing and diffused, T-1-3/4 (5mm) LEDs. The black nylon housing assures proper LED alignment and enhances contrast while resisting vibration and shock. Units operate on DC voltage.

**Other LEDs are available including:** ultra bright, high brightness or clear.

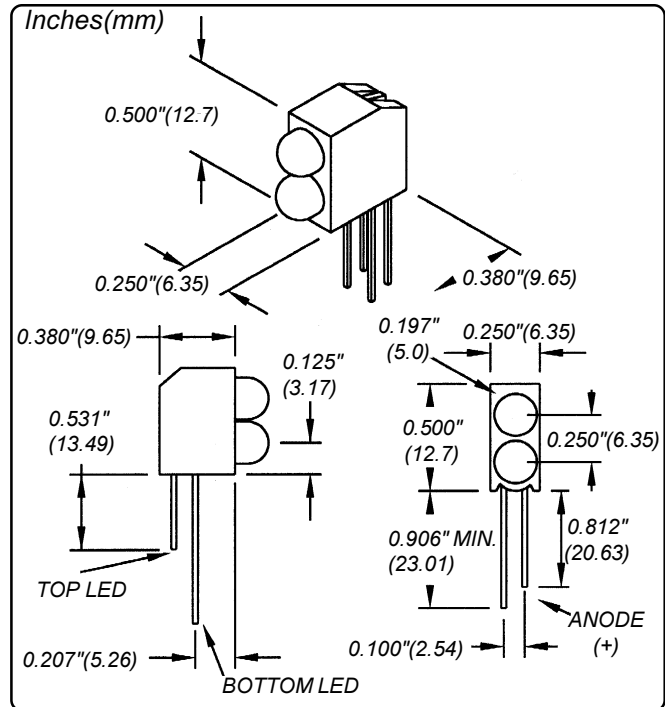
**Custom lead forming and cutting services are available.**

### Operating & Storage Temperature

Temp. Range: -40°C to +85°C.

### Lead Solder Temperature

Soldering temp. 260°C max. Solder time for 3 seconds for distance from solder case to joint > 2mm or 5 seconds with distance from solder case to joint > 4mm.



**Can't find it here? We have many more standard and custom solutions.**

For information phone Customer Service at 954-425-0123 or complete the "Fast FAX" form on Appendix, page A-1.

Part Number	Color	Lens Type	Typical Intensity mcd	Test Current mA	Forward Voltage Typical	Forward Voltage Max	Reverse Voltage Max	Typical Wavelength (nm)	Viewing Angle
LB611DGG	Green/Green	Diffused	20/20	20	2.2/2.2	2.5/2.5	5V	565/565	60°
LB611DGR	Green/Red	Diffused	20/10	20	2.2/2.0	2.5/2.5	5V	565/660	60°
LB611DGY	Green/Yello	Diffused	20/20	20	2.2/2.1	2.5/2.5	5V	565/590	60°
LB611DRR	Red/Red	Diffused	10/10	20	2.0/2.0	2.5/2.5	5V	660/660	60°
LB611DRG	Red/Green	Diffused	10/20	20	2.0/2.2	2.5/2.5	5V	660/565	60°
LB611DRY	Red/Yellow	Diffused	10/20	20	2.0/2.1	2.5/2.5	5V	660/590	60°
LB611DYY	Yellow/Yello	Diffused	20/20	20	2.1/2.1	2.5/2.5	5V	590/590	60°
LB611DYG	Yellow/Gree	Diffused	20/20	20	2.1/2.2	2.5/2.5	5V	590/565	60°
LB611DYR	Yellow/Red	Diffused	20/10	20	2.1/2.0	2.5/2.5	5V	590/660	60°

## LM611 SERIES - BUILD YOUR OWN MODULAR ARRAY

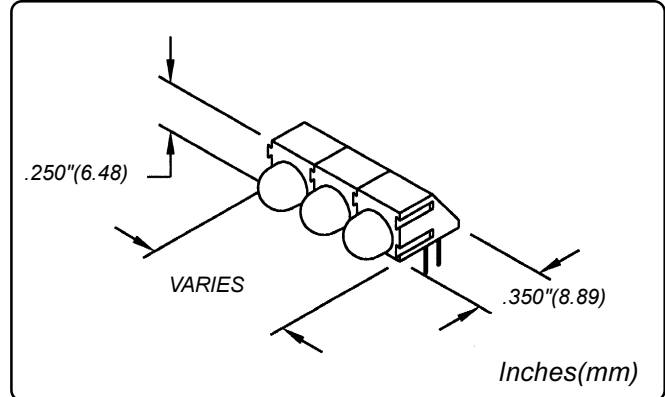
- RIGHT ANGLE LED CIRCUIT BOARD INDICATORS
- T-1 3/4(5MM) SIZE • DIFFUSED LENS
- STANDARD OR HIGH BRIGHTNESS LEDS
- 2, 5 OR 12 VOLTS, OR LOW CURRENT LEDS

### Overview

The LM611 Series of circuit board indicators is constructed with a right angle housing and diffused, T-1-3/4 LEDs that mate together to easily create custom modular arrays for any application. The black nylon housing assures proper LED alignment and enhances contrast while resisting vibration and shock. Units operate on DC voltage.

**Other LEDs are available including:** ultra bright, high brightness or clear.

**Custom lead forming and cutting services are available.**

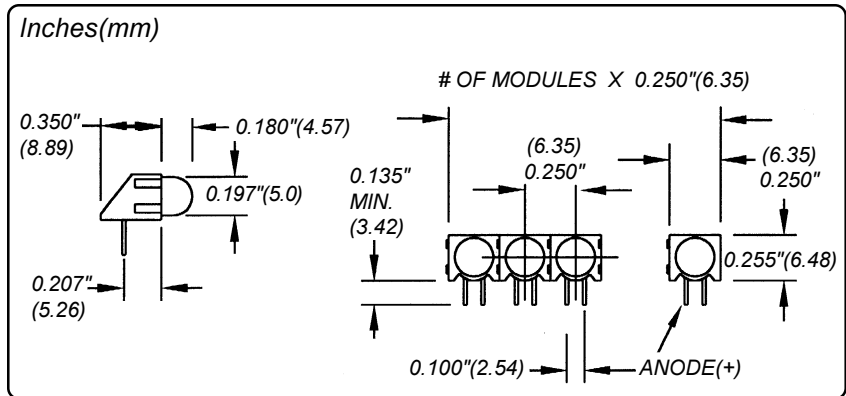


### Operating & Storage Temp.

Temp. Range: -40°C to +85°C.

### Lead Solder Temperature

Soldering temp. 260°C max. Solder time for 3 seconds for distance from solder case to joint > 2mm or 5 seconds with distance from solder case to joint > 4mm.



**Can't find it here? We have many more standard and custom solutions.**

For information phone Customer Service at 954-425-0123 or complete the "Fast FAX" form on Appendix, page A-1.

Part Number	Color	Lens Type	Typical Intensity mcd	Test Current mA	Forward Voltage Typical	Forward Voltage Max	Reverse Voltage Max	Typical Wavelength (nm)	Viewing Angle
LM611DG	Green	Diffused	20	20	2.2	2.5	5V	565	60°
LM611DR	Red	Diffused	10	20	2	2.5	5V	660	60°
LM611DY	Yellow	Diffused	20	20	2.1	2.5	5V	590	60°
LM611DRG	Red/Green	Diffused	10/20	20	2.0/2.2	2.5	5V	660/565	60°
LM631DG	Green	Diffused	100	20	2.2	2.5	5V	565	60°
LM631DR	Red	Diffused	100	20	2	2.5	5V	660	60°
LM631DY	Yellow	Diffused	100	20	2.1	2.5	5V	660	60°