

NH fuse-links aM 500VAC

double indicator/live tags size 000, 00, 0, 1, 2, 3

IEC NH Fuse-Links

The NH system is classified among plug-in fuse systems and is composed of:

- fuse-base (possibly including terminal covers and phase barriers)
- fuse-link with blade contact
- fuse-link replacement device (LV HRC fuse puller)

Since the design of this system cannot guarantee non-interchangeability of rated current it must be handled by a qualified professional.

Type “aM” NH fuse-links are partial-range breaking capacity fuse-links, used to protect motor circuits as they are strongly current-limiting and have low power losses. They interrupt currents from 6.3 times In up to their maximum breaking capacity and are therefore suited for short-circuit protection only. They must be associated with other switchgear for protection against overloads. These fuse-links can have a rated current equal to the motor’s nominal current.

Features Benefits

- Dimensions according to DIN 43 620 parts 1 to 4
- Non-isolated gripping lugs
- Double indicator
- Lead free contact blades
- 0% cadmium

Applications

- aM: Partial purpose, motor circuit protection

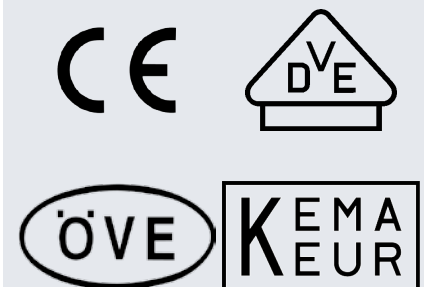
Technical data overview

Voltage AC	500 VAC
Ampere Range (A)	2 ... 630 A
Size per Standard	000, 00, 0, 1, 2, 3
Speed/Characteristic	aM
I.R. AC (kA)	120 kA
Body Material	ceramic
Contact Materials	copper, silver-plated



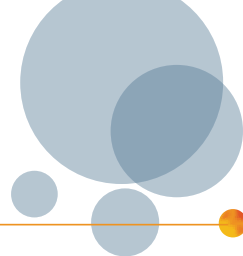
Standards

VDE 0636 Part 201
IEC 60269-1 and -2



NH fuse-links aM 500VAC

double indicator/live tags size 000, 00, 0, 1, 2, 3



Product range



NH000AM50V63

Size 000

Catalog number	Reference number	Reference Number (alt.)	Rated voltage AC (IEC)	Rated current I _n	Power dissipation at I _n	Weight	Package
NH000AM50V2	K232493	K232493C	500 V	2 A	0.1 W	130 g	2
NH000AM50V4	L232494	L232494C	500 V	4 A	0.2 W	130 g	2
NH000AM50V6	M232495	M232495C	500 V	6 A	0.3 W	130 g	2
NH000AM50V10	N232496	N232496C	500 V	10 A	0.5 W	130 g	2
NH000AM50V16	P232497	P232497C	500 V	16 A	0.7 W	130 g	2
NH000AM50V20	Q232498	Q232498C	500 V	20 A	0.9 W	130 g	2
NH000AM50V25	R232499	R232499C	500 V	25 A	1.2 W	130 g	2
NH000AM50V32	S232500	S232500C	500 V	32 A	1.5 W	130 g	2
NH000AM50V35	T232501	T232501C	500 V	35 A	1.6 W	130 g	2
NH000AM50V40	V232502	V232502C	500 V	40 A	1.8 W	130 g	2
NH000AM50V50	W232503	W232503C	500 V	50 A	2.3 W	130 g	2
NH000AM50V63	X232504	X232504C	500 V	63 A	2.9 W	130 g	2
NH000AM50V80	C227863	C227863C	500 V	80 A	3.6 W	130 g	2



NH00AM50V100

Size 00

Catalog number	Reference number	Reference Number (alt.)	Rated voltage AC (IEC)	Rated current I _n	Power dissipation at I _n	Weight	Package
NH00AM50V100	Y232505	Y232505C	500 V	100 A	5.8 W	200 g	2
NH00AM50V125	Z232506	Z232506C	500 V	125 A	6.4 W	200 g	2
NH00AM50V160	J227869	J227869C	500 V	160 A	7.9 W	200 g	2



NH0AM50V100

Size 0

Catalog number	Reference number	Reference Number (alt.)	Rated voltage AC (IEC)	Rated current I _n	Power dissipation at I _n	Weight	Package
NH0AM50V100	A232507	A232507C	500 V	100 A	6 W	260 g	2
NH0AM50V125	B232508	B232508C	500 V	125 A	7.9 W	260 g	2
NH0AM50V160	C232509	C232509C	500 V	160 A	10.5 W	260 g	2
NH0AM50V200	A227884	A227884C	500 V	200 A	11.8 W	260 g	2



NH1AM50V100

Size 1

Catalog number	Reference number	Reference Number (alt.)	Rated voltage AC (IEC)	Rated current I _n	Power dissipation at I _n	Weight	Package
NH1AM50V100	D232510	D232510C	500 V	100 A	5.8 W	420 g	2
NH1AM50V125	E232511	E232511C	500 V	125 A	7.5 W	420 g	2
NH1AM50V160	F232512	F232512C	500 V	160 A	10.4 W	420 g	2
NH1AM50V200	G232513	G232513C	500 V	200 A	14.2 W	420 g	2
NH1AM50V224	H232514	H232514C	500 V	224 A	15.8 W	420 g	2
NH1AM50V315	K227962	K227962C	500 V	315 A	22.1 W	420 g	2



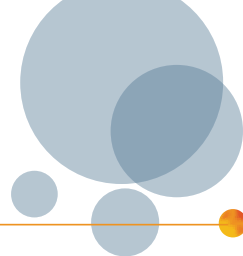
NH2AM50V250

Size 2

Catalog number	Reference number	Reference Number (alt.)	Rated voltage AC (IEC)	Rated current I _n	Power dissipation at I _n	Weight	Package
NH2AM50V250	K232516	K232516C	500 V	250 A	16.8 W	640 g	2
NH2AM50V315	L232517	L232517C	500 V	315 A	23.1 W	640 g	2
NH2AM50V355	M232518	M232518C	500 V	355 A	26.4 W	640 g	2
NH2AM50V400	N232519	N232519C	500 V	400 A	29.7 W	640 g	2

NH fuse-links aM 500VAC

double indicator/live tags size 000, 00, 0, 1, 2, 3



Product range



NH3AM50V630

Size 3

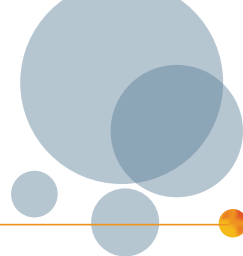
Catalog number	Reference number	Reference Number (alt.)	Rated voltage AC (IEC)	Rated current I _n	Power dissipation at I _n	Weight	Package
NH3AM50V315	P232520	P232520A	500 V	315 A	21 W	1050 g	1
NH3AM50V355	Q232521	Q232521A	500 V	355 A	23.3 W	1050 g	1
NH3AM50V400	R232522	R232522A	500 V	400 A	29.1 W	1050 g	1
NH3AM50V425	S232523	S232523A	500 V	425 A	29.1 W	1050 g	1
NH3AM50V450	T232524	T232524A	500 V	450 A	34 W	1050 g	1
NH3AM50V500	V232525	V232525A	500 V	500 A	42 W	1050 g	1
NH3AM50V630	M227987	M227987A	500 V	630 A	42 W	1050 g	1

Technical Data

	Sie 000	Size 00	Sie 0	Size 1	Size 2	Size 3
Rated current	2 ... 80 A	100 ... 160 A	100 ... 200 A	100 ... 315 A	250 ... 400 A	315 ... 630 A
Rated breaking capacity AC	120 kA	120 kA	120 kA	120 kA	120 kA	120 kA
Rated voltage AC	500 V	500 V	500 V	500 V	500 V	500 V
Indication System	double indicator	double indicator	double indicator	double indicator	double indicator	double indicator
Width	21 mm	30 mm	30 mm	40 mm	52 mm	72 mm

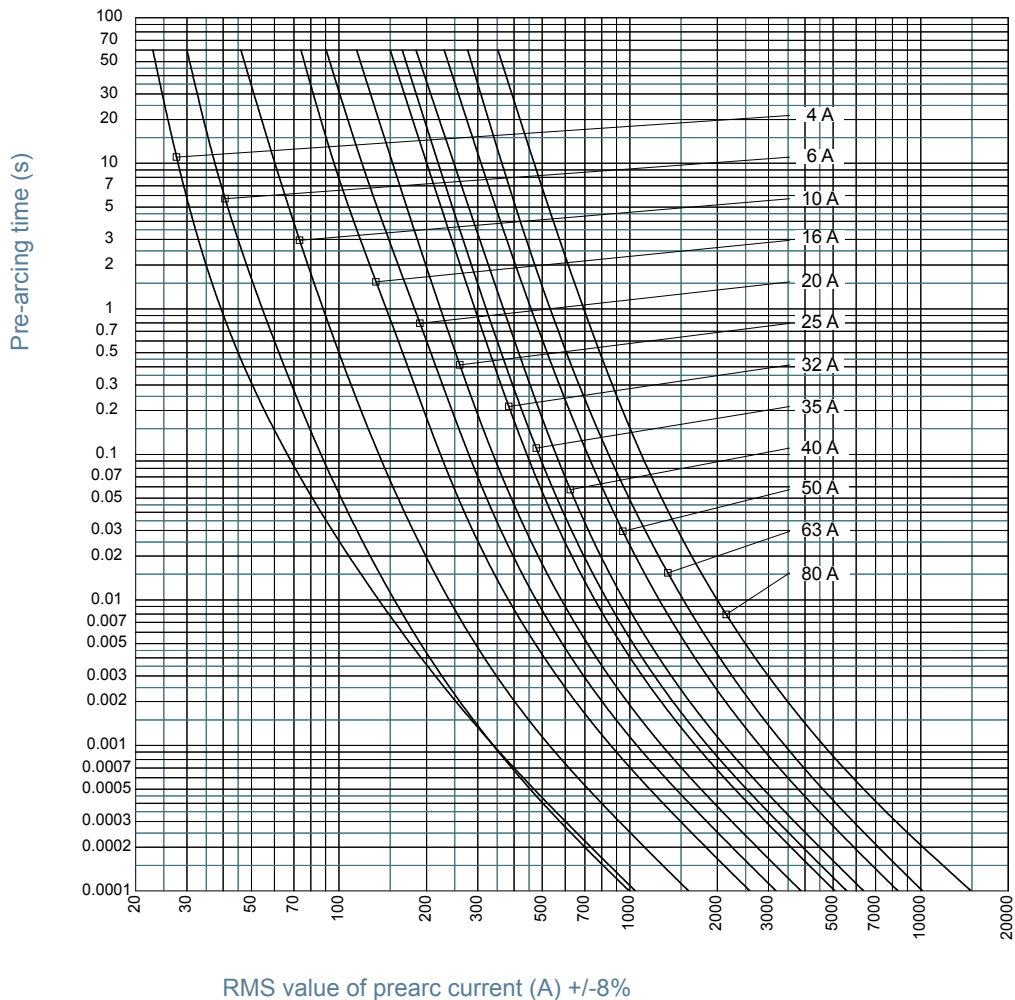
NH fuse-links aM 500VAC

double indicator/live tags size 000, 00, 0, 1, 2, 3



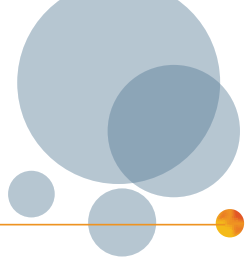
Time current characteristic curves

Size 000



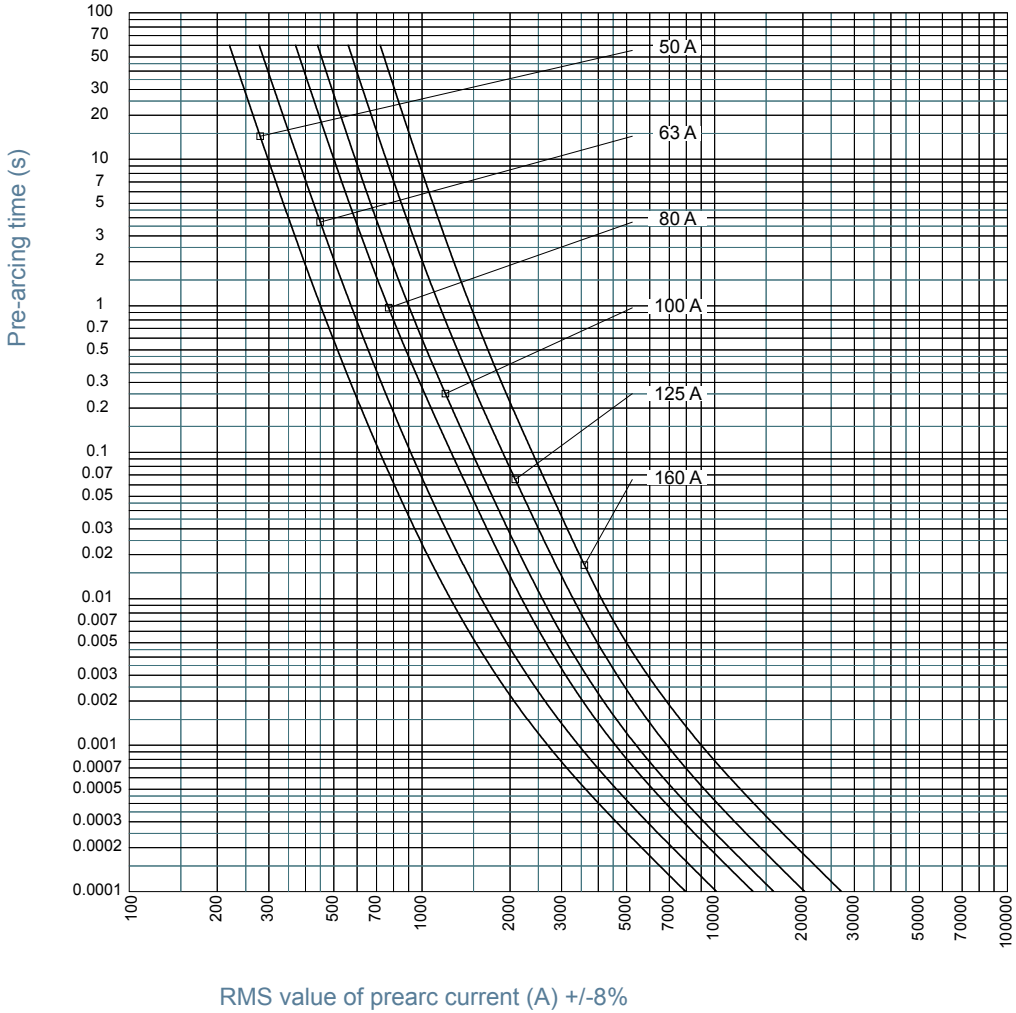
NH fuse-links aM 500VAC

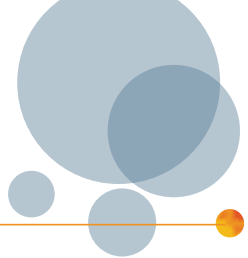
double indicator/live tags size 000, 00, 0, 1, 2, 3



Time current characteristic curves

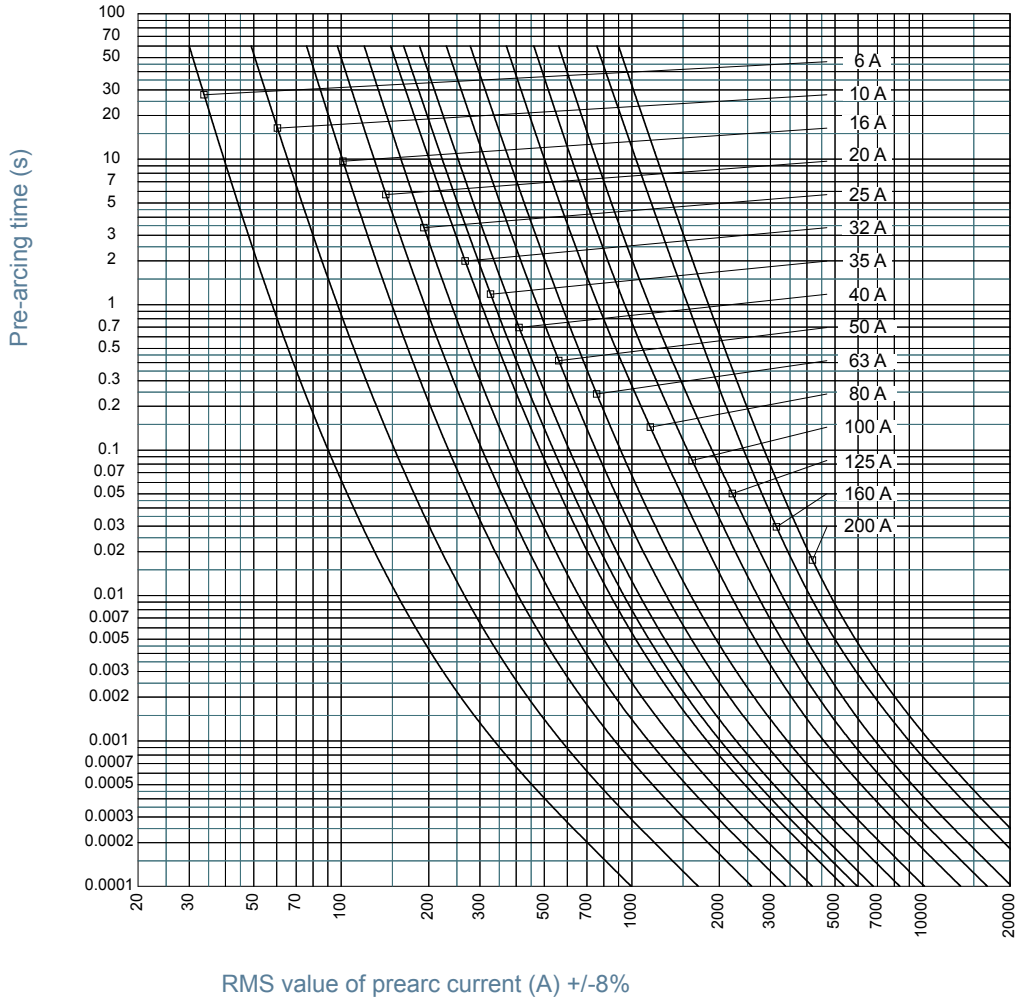
Size 00





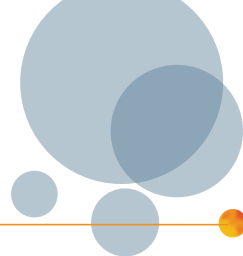
Time current characteristic curves

Size 0



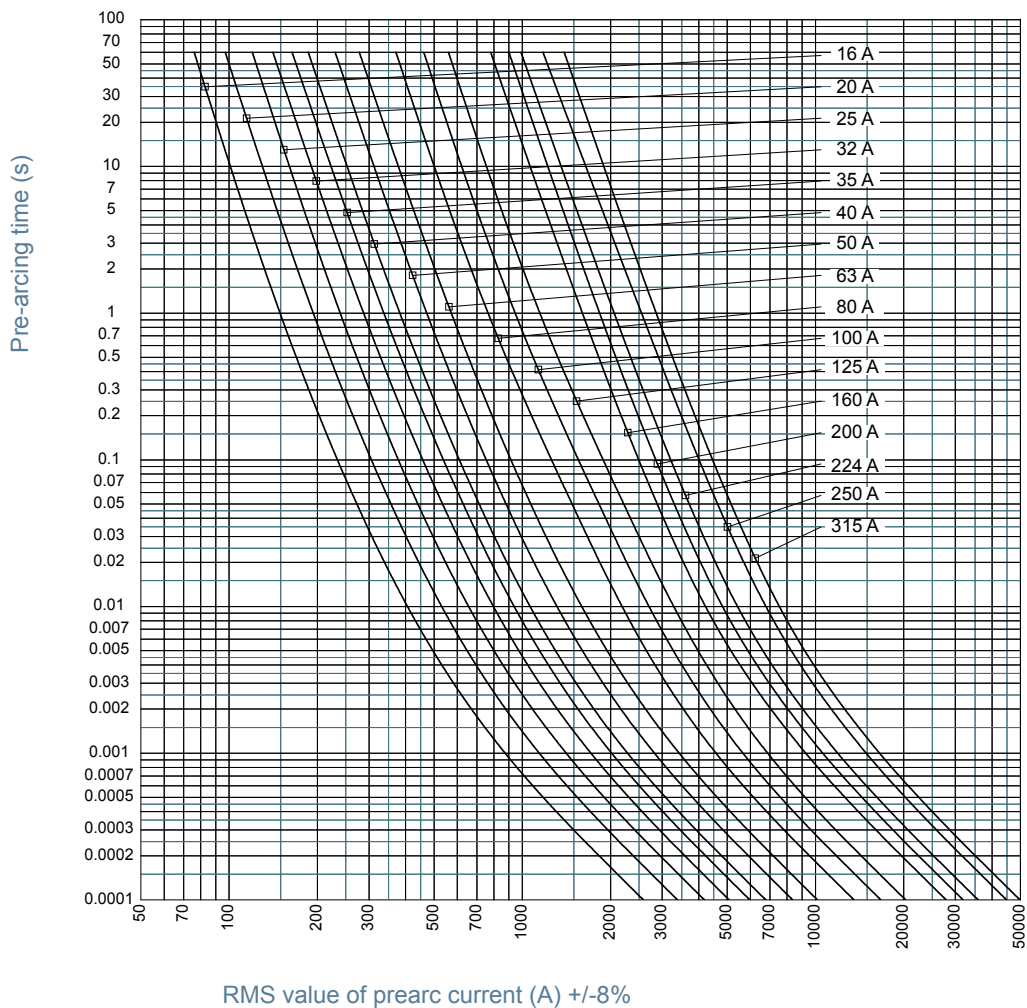
NH fuse-links aM 500VAC

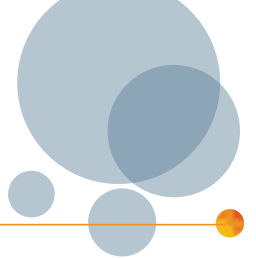
double indicator/live tags size 000, 00, 0, 1, 2, 3



Time current characteristic curves

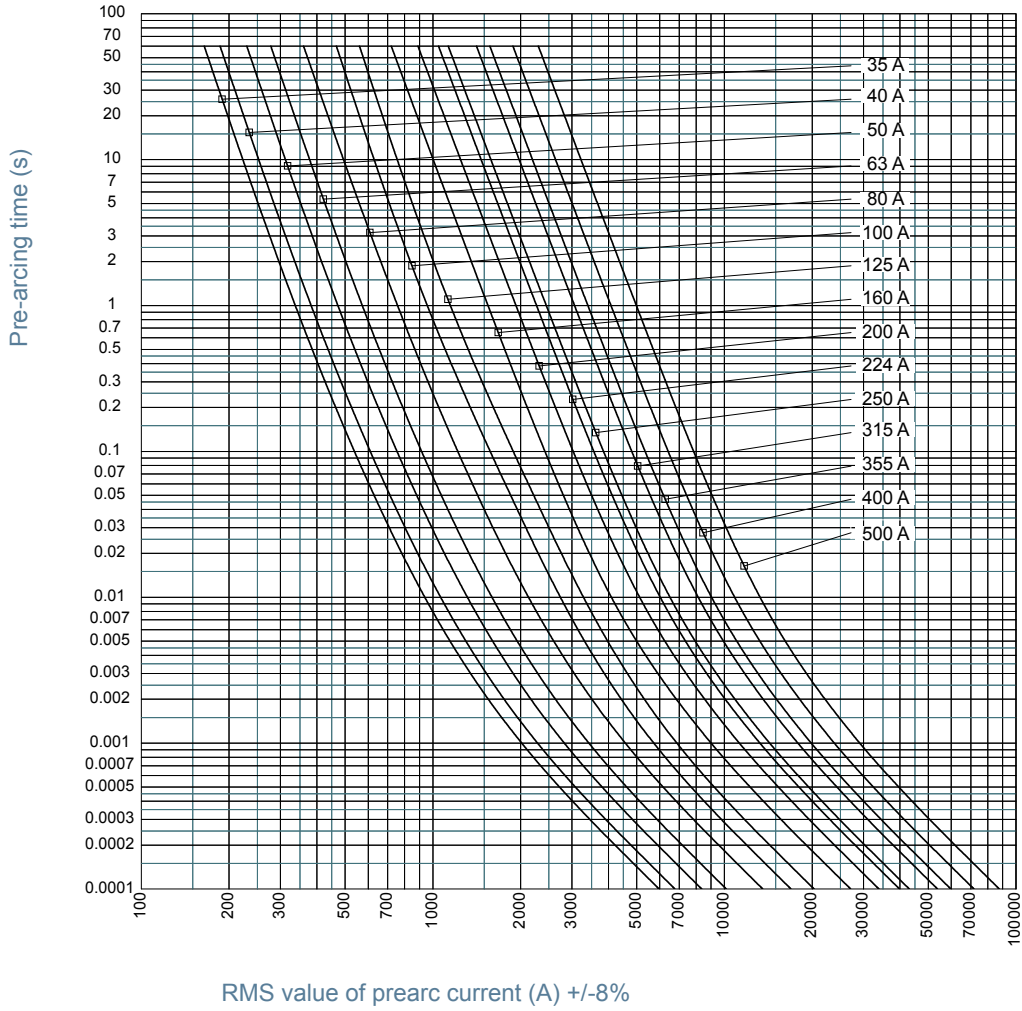
Size 1





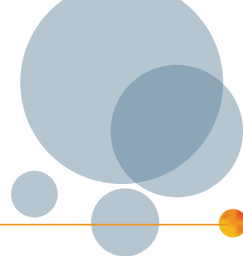
Time current characteristic curves

Size 2



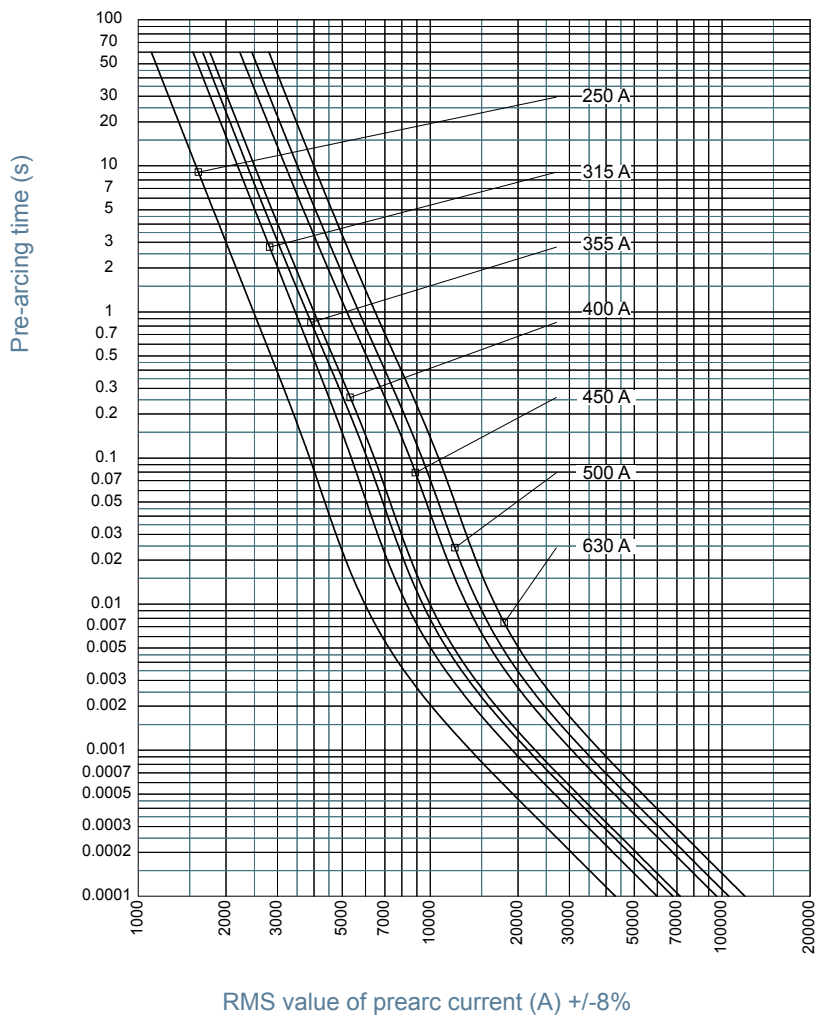
NH fuse-links aM 500VAC

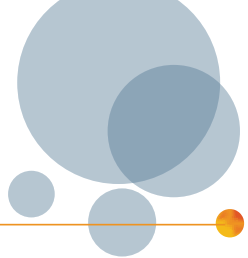
double indicator/live tags size 000, 00, 0, 1, 2, 3



Time current characteristic curves

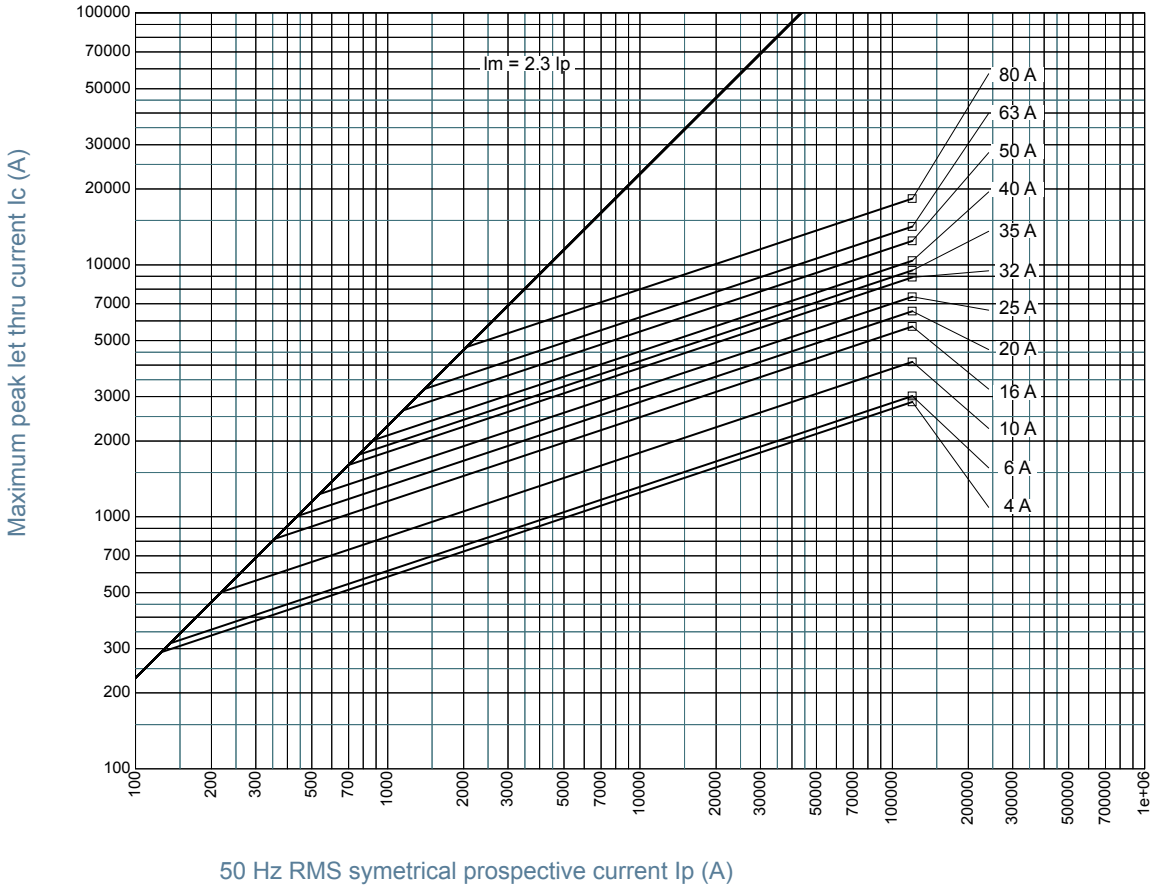
Size 3



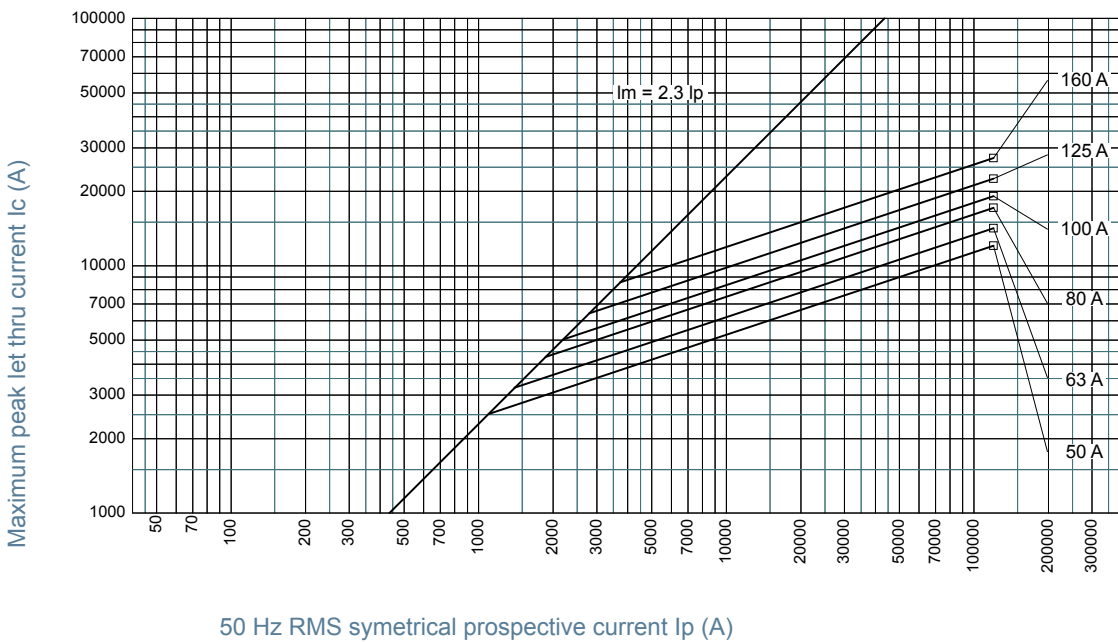


Current limiting diagram

Size 000

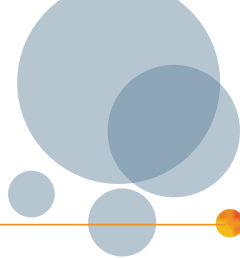


Size 00



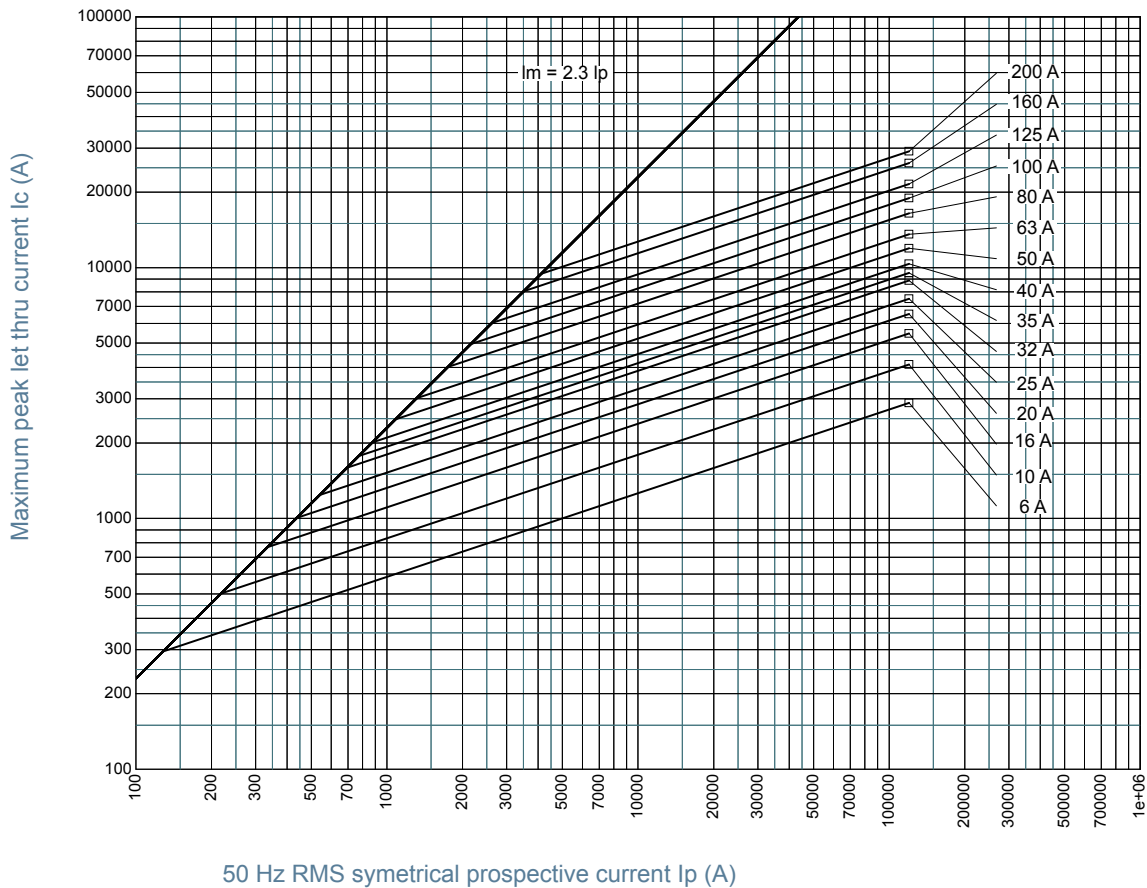
NH fuse-links aM 500VAC

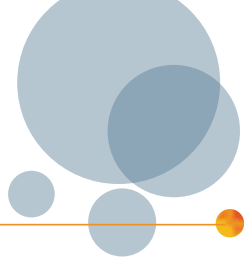
double indicator/live tags size 000, 00, 0, 1, 2, 3



Current limiting diagram

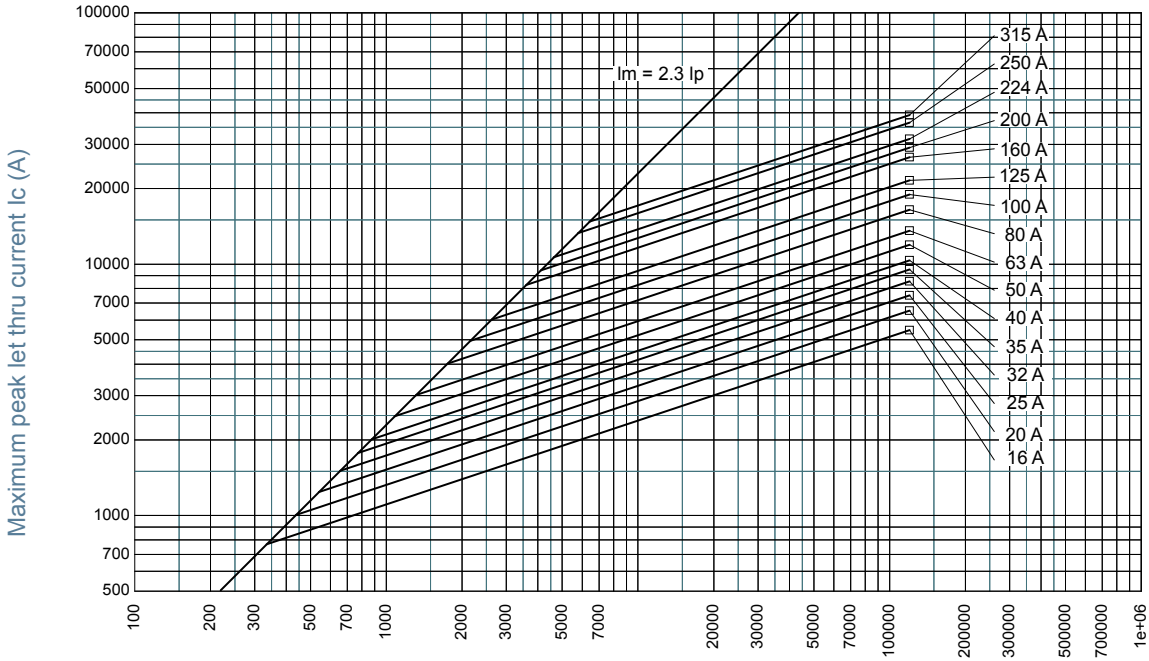
Size 0





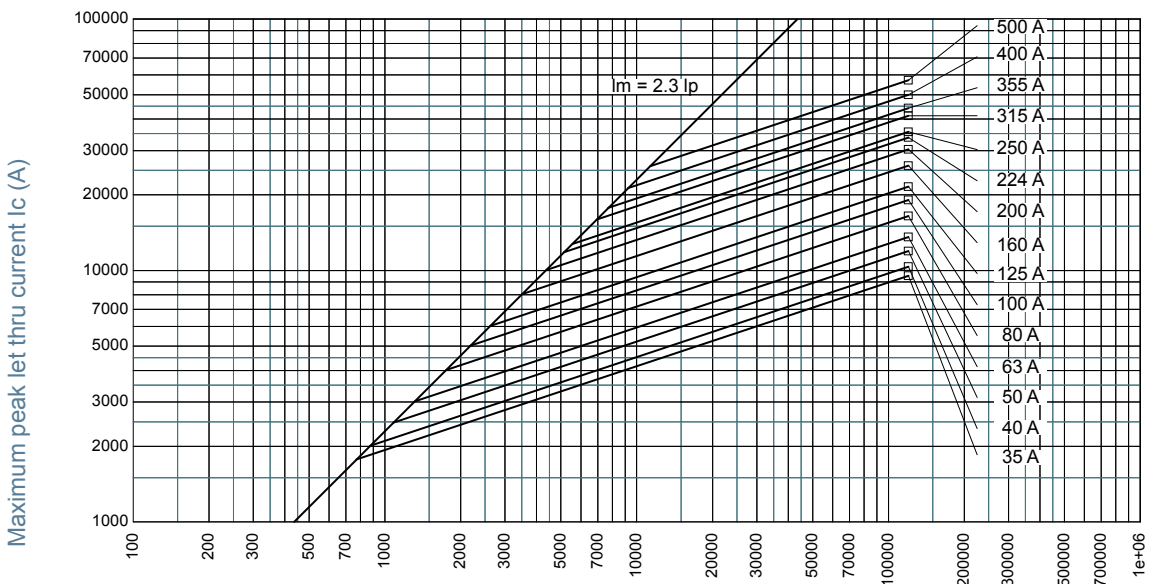
Current limiting diagram

Size 1



50 Hz RMS symmetrical prospective current I_p (A)

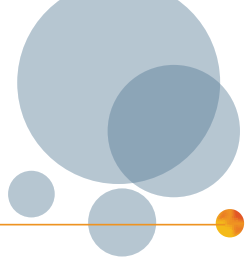
Size 2



50 Hz RMS symmetrical prospective current I_p (A)

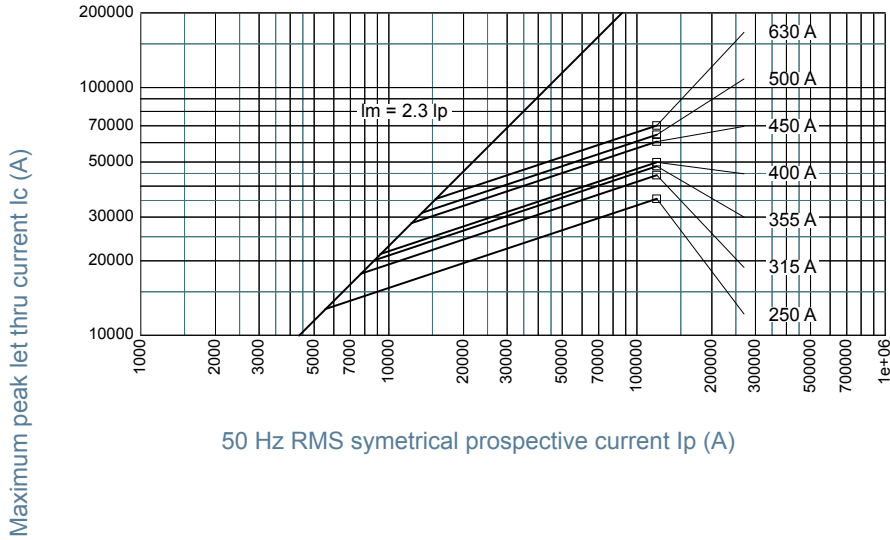
NH fuse-links aM 500VAC

double indicator/live tags size 000, 00, 0, 1, 2, 3



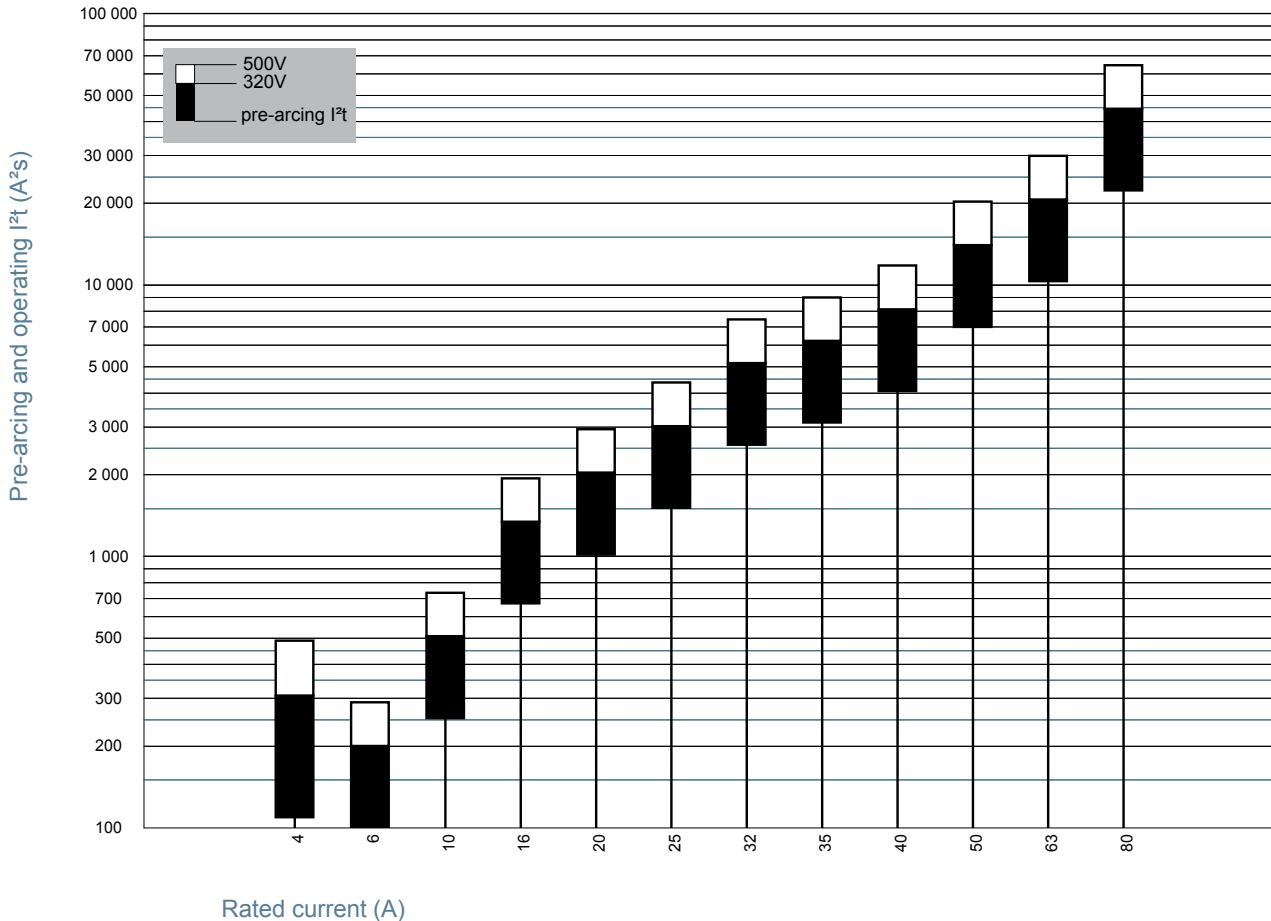
Current limiting diagram

Size 3



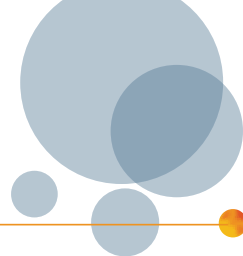
Pre-arcing and operating I²t characteristics

Size 000



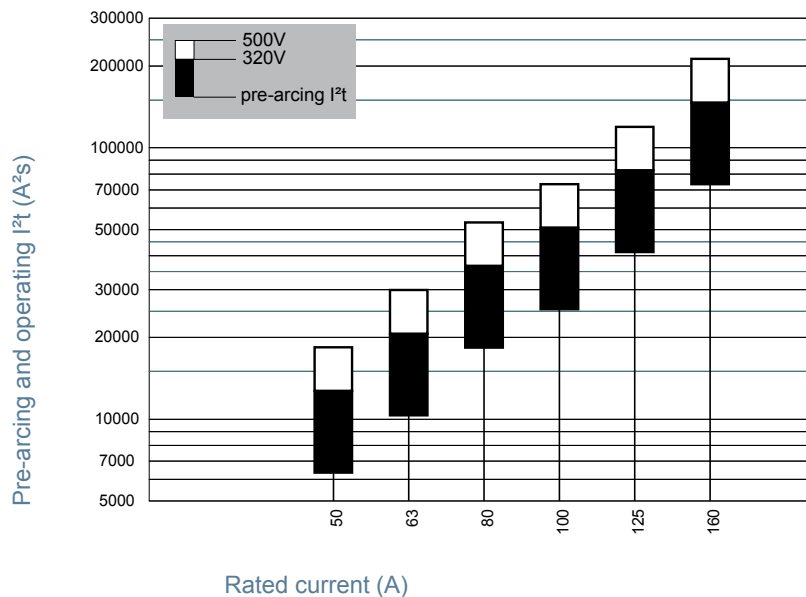
NH fuse-links aM 500VAC

double indicator/live tags size 000, 00, 0, 1, 2, 3



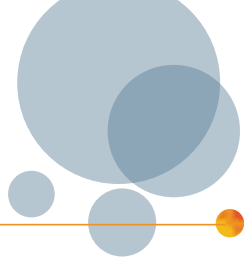
Pre-arcing and operating I²t characteristics

Size 00



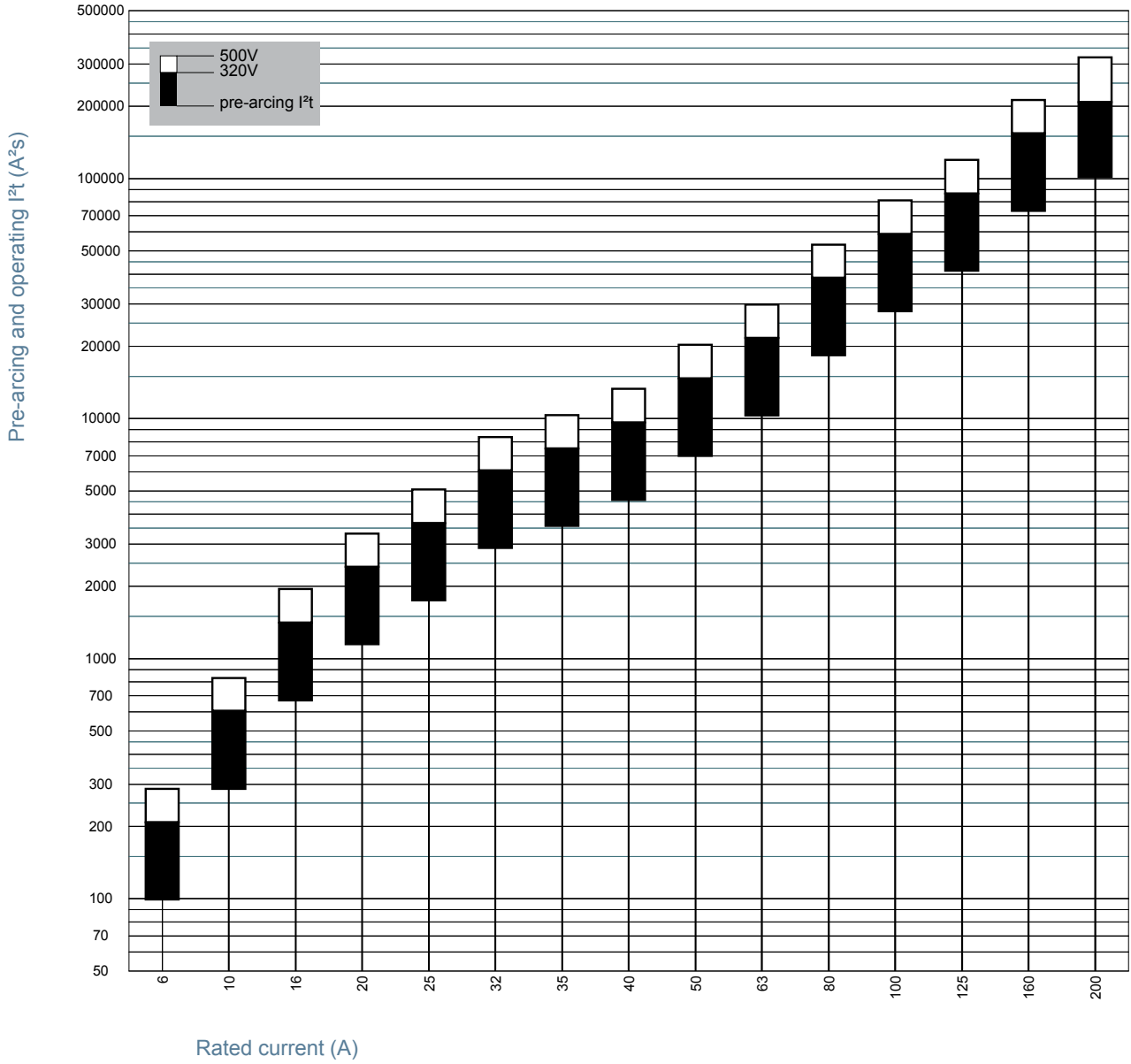
NH fuse-links aM 500VAC

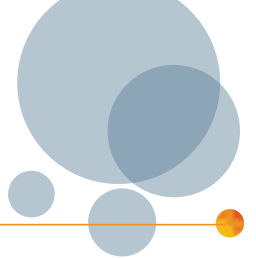
double indicator/live tags size 000, 00, 0, 1, 2, 3



Pre-arcing and operating I²t characteristics

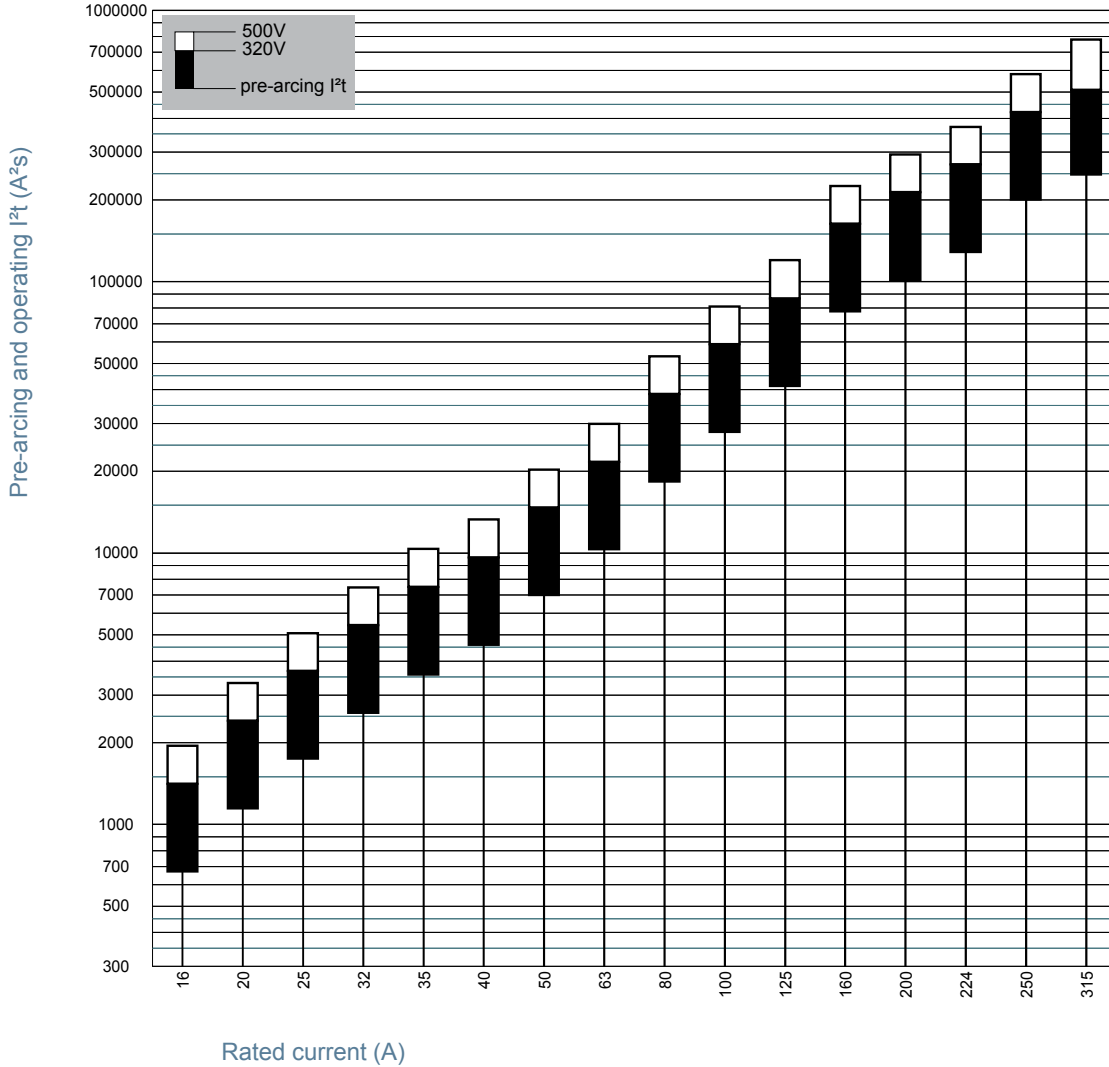
Size 0

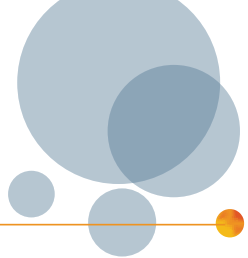




Pre-arcing and operating I²t characteristics

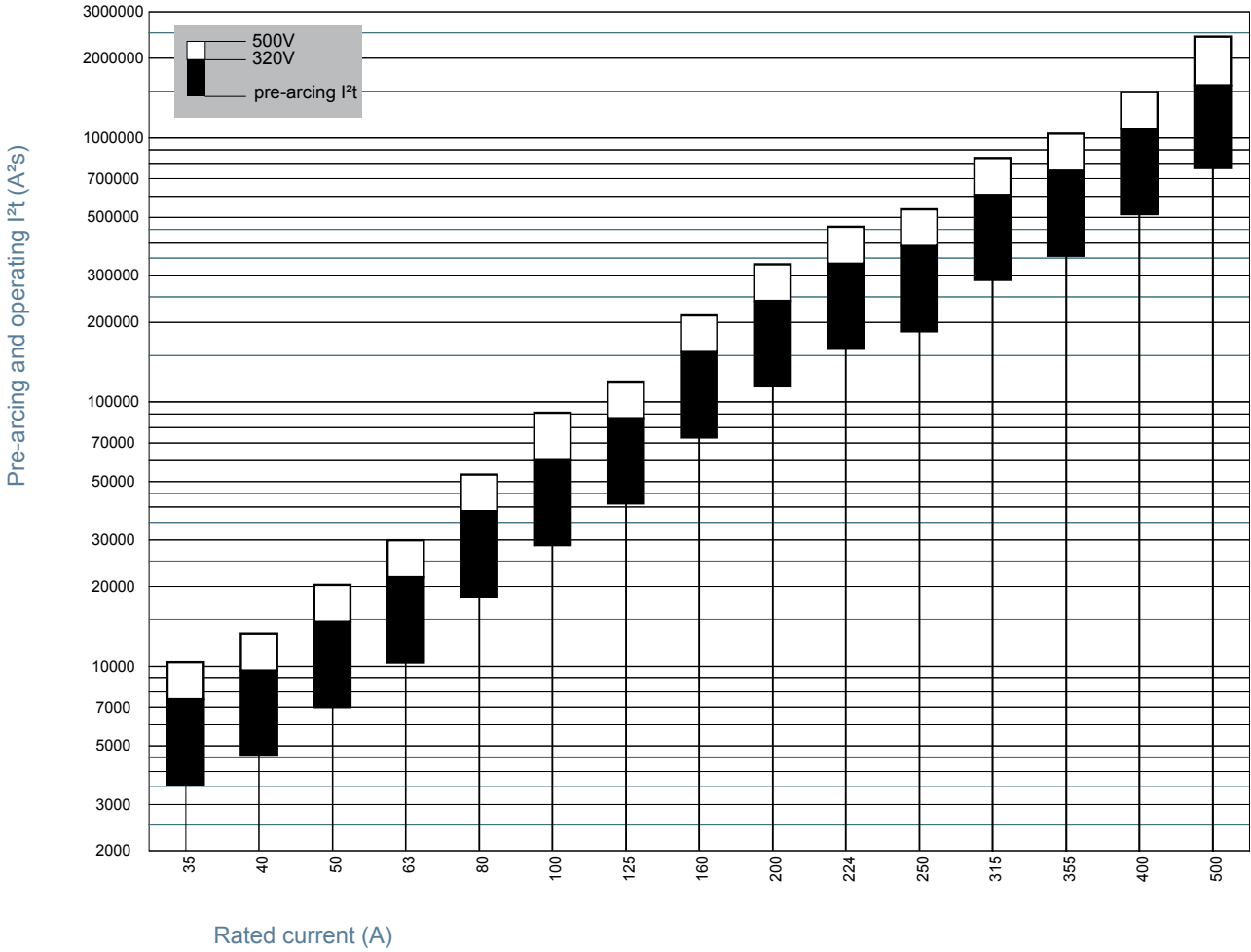
Size 1



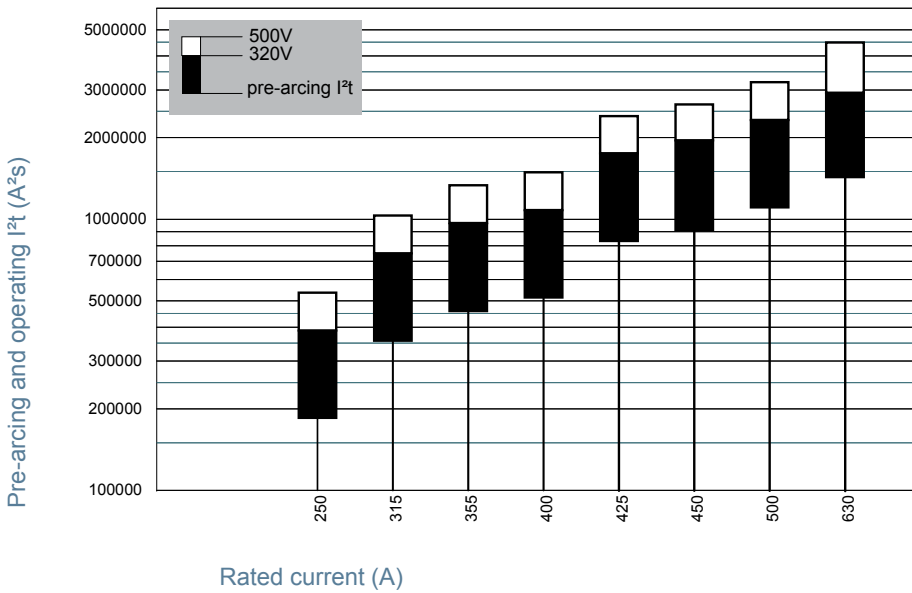


Pre-arcing and operating I²t characteristics

Size 2



Size 3

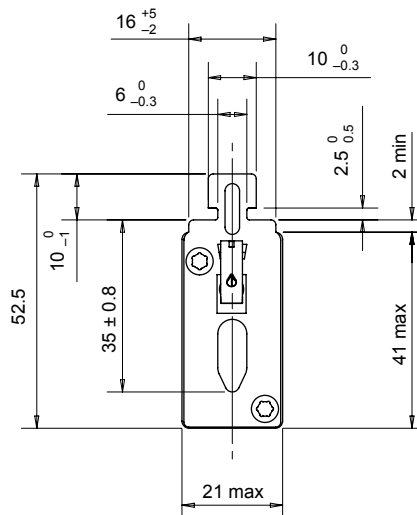
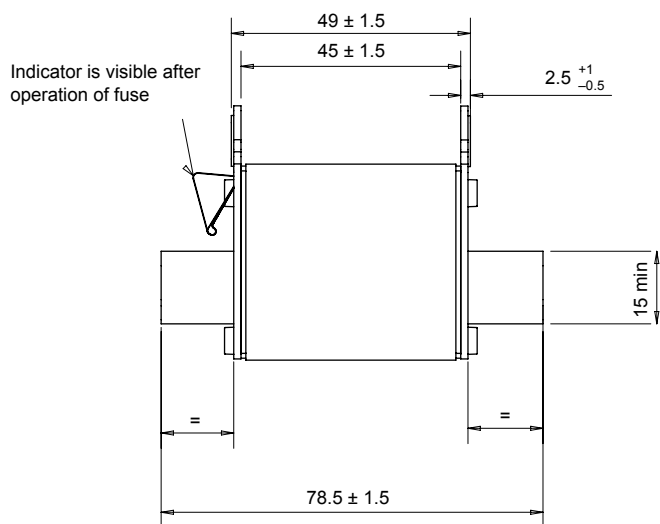


NH fuse-links aM 500VAC

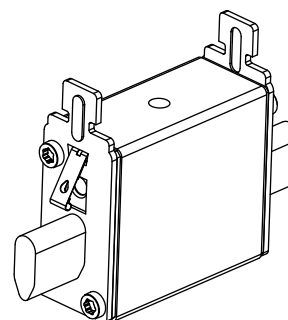
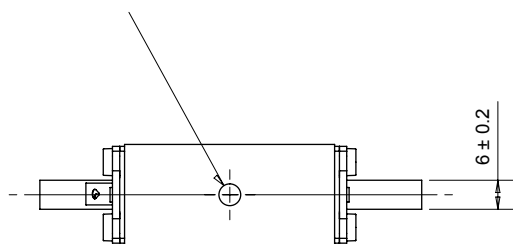
double indicator/live tags size 000, 00, 0, 1, 2, 3

Dimensions

size 000 with double indicator



Visibility of red indicator signals conduction of the fuse-link. After operation the red indicator is no longer visible.



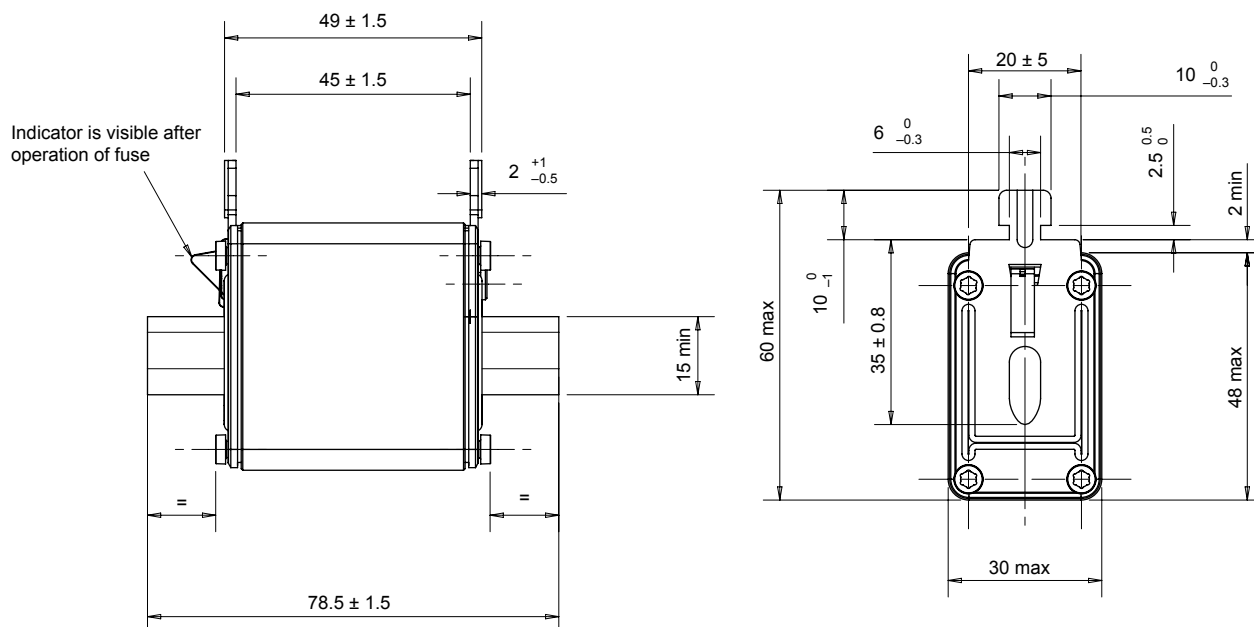
Dimensions in mm

NH fuse-links aM 500VAC

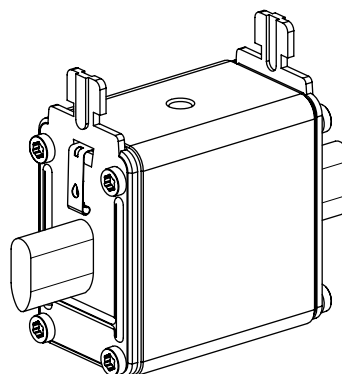
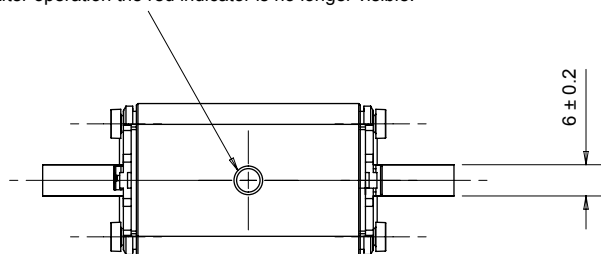
double indicator/live tags size 000, 00, 0, 1, 2, 3

Dimensions

size 00 with double indicator



- Visibility of red indicator signals conduction of the fuse-link. After operation the red indicator is no longer visible.



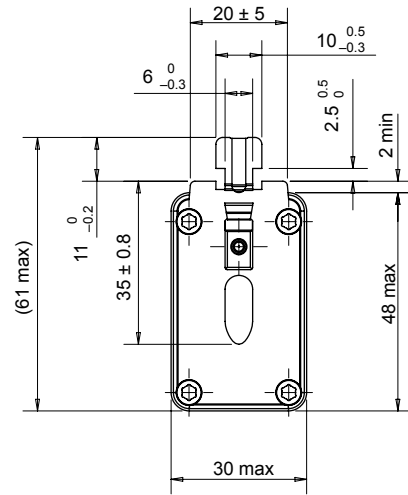
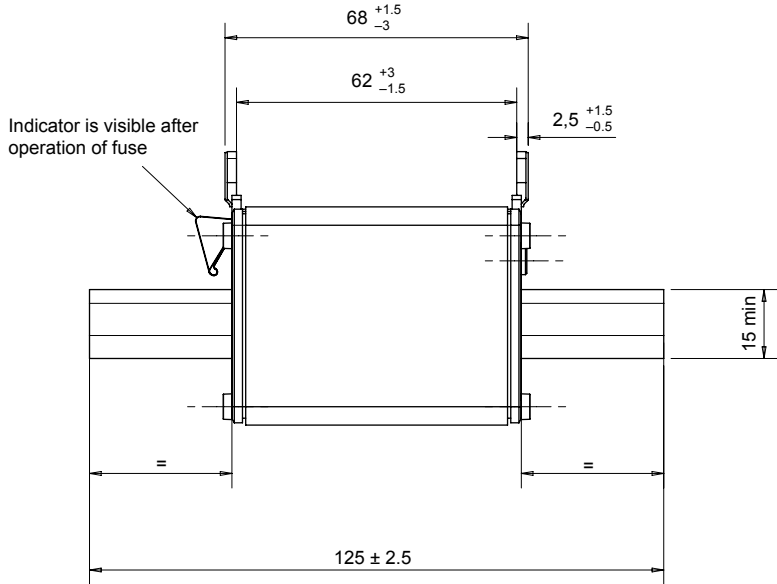
Dimensions in mm

NH fuse-links aM 500VAC

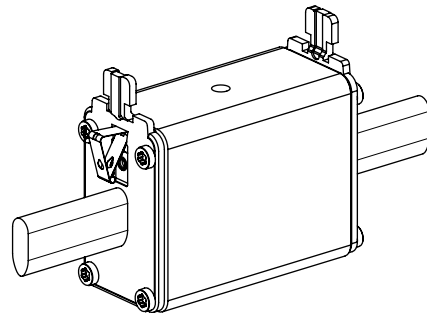
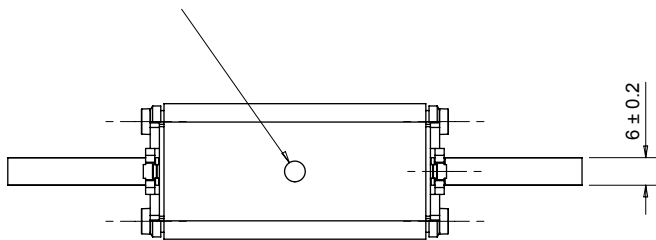
double indicator/live tags size 000, 00, 0, 1, 2, 3

Dimensions

size 0 with double indicator



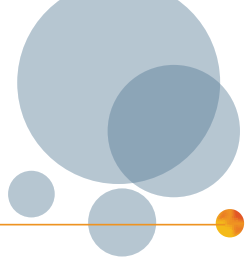
Visibility of red indicator signals conduction of the fuse-link. After operation the red indicator is no longer visible.



Dimensions in mm

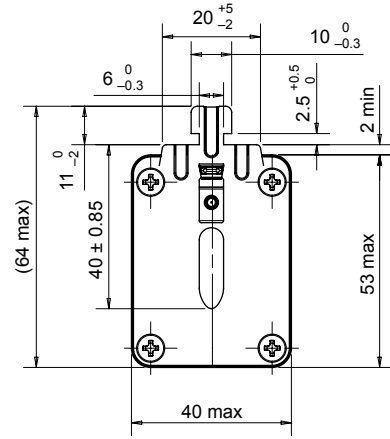
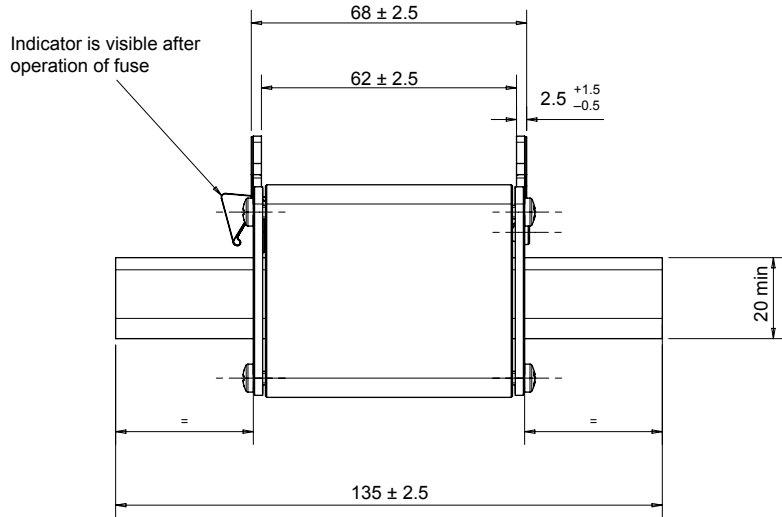
NH fuse-links aM 500VAC

double indicator/live tags size 000, 00, 0, 1, 2, 3

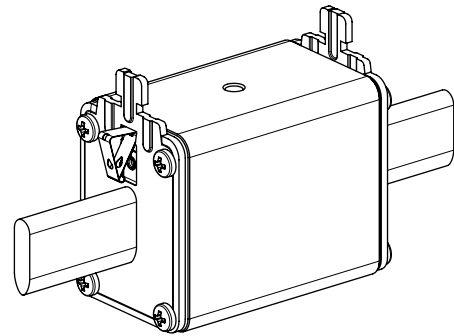
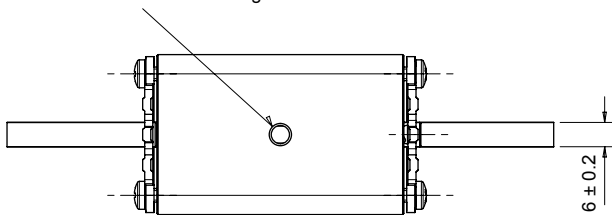


Dimensions

size 1 with double indicator



Visibility of red indicator signals conduction of the fuse-link. After operation the red indicator is no longer visible.



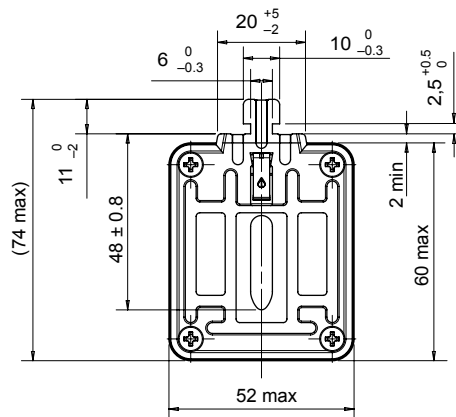
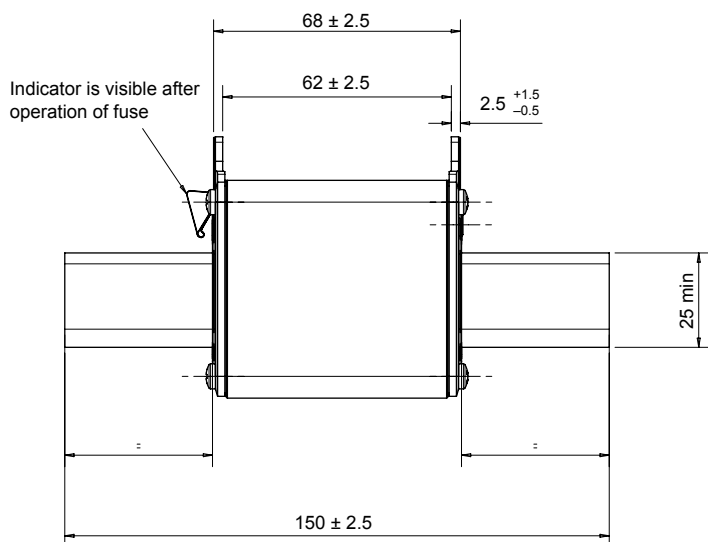
Dimensions in mm

NH fuse-links aM 500VAC

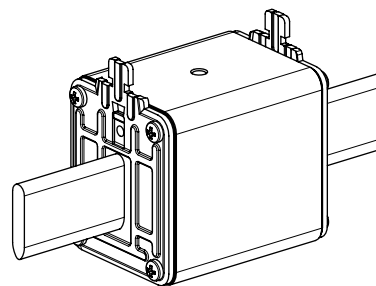
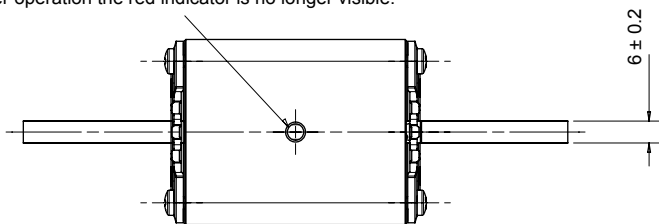
double indicator/live tags size 000, 00, 0, 1, 2, 3

Dimensions

size 2 with double indicator



Visibility of red indicator signals conduction of the fuse-link. After operation the red indicator is no longer visible.



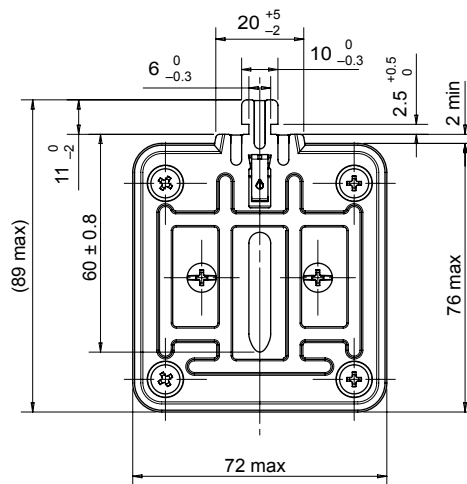
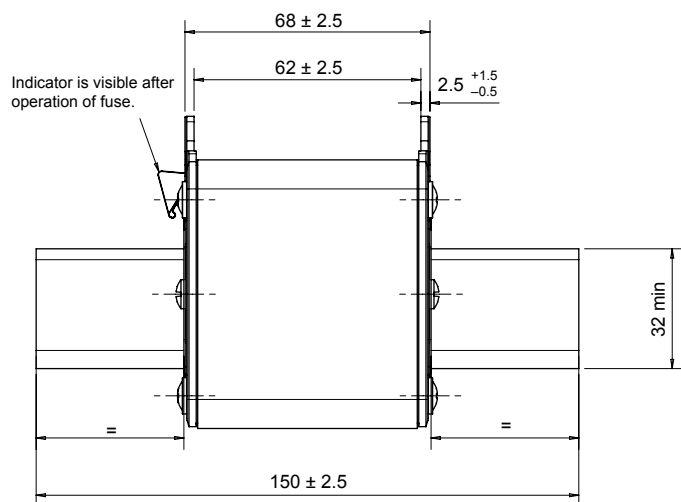
Dimensions in mm

NH fuse-links aM 500VAC

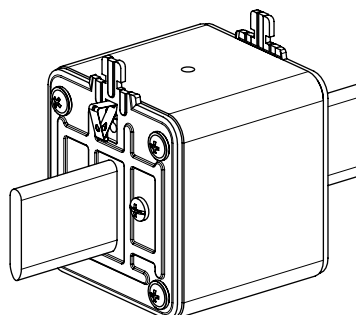
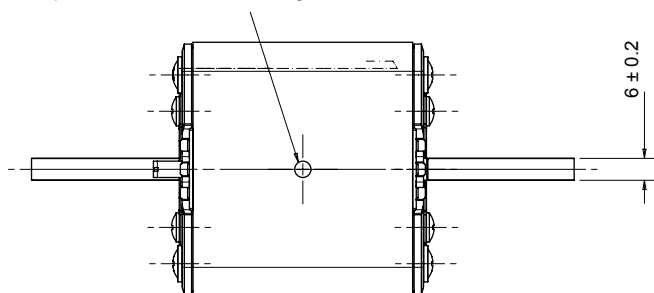
double indicator/live tags size 000, 00, 0, 1, 2, 3

Dimensions

size 3 with double indicator



Visibility of red indicator signals conduction of the fuse-link.
After operation the red indicator is no longer visible.



Dimensions in mm