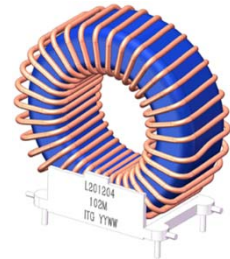




L201204 Series



1. Features of L201204 Series:

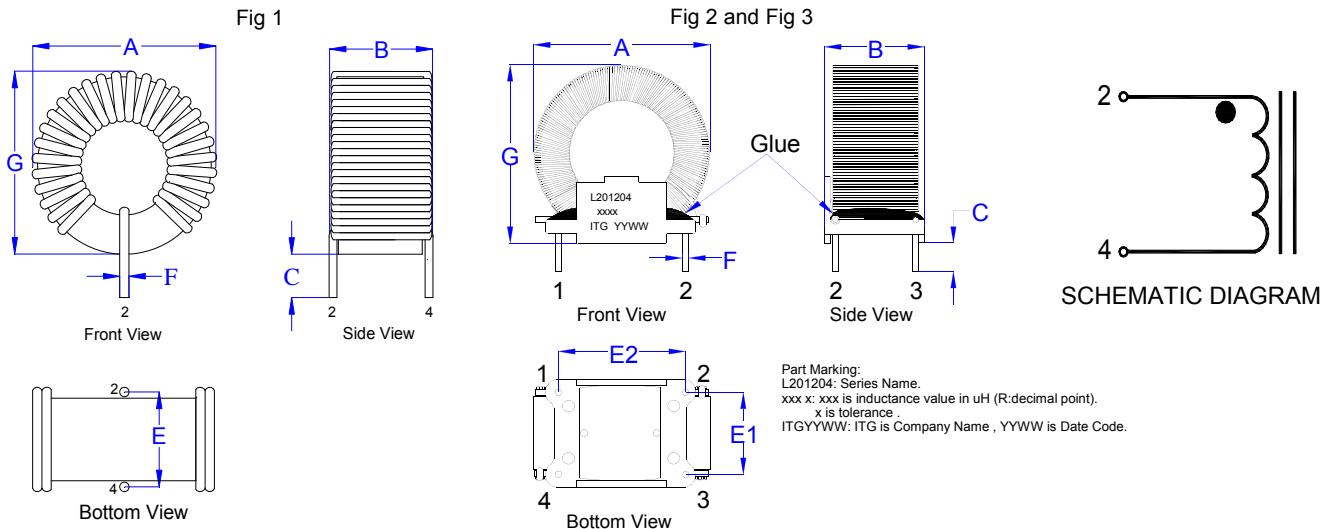
- Alloy Powder based DIP Inductor with lower core loss.
- Inductance Range:0.106mH to 33.75mH. Custom values are welcomed.
- Lower core loss, lower distributed capacitance.
- Coil mount on UL94-V0 rated plastic header.
- Fixed pin spacing allow easy PCB insertion.
- Operating temperature range of -55° C to + 130° C.
- Storage conditions: -40°C~85°C , 75% RH (Max). RoHS & HF compliant.

2. Electrical Characteristics of L201204 Series:

| ITG Part Number | OCL ¹ (mH) ± 20% | DCR (mΩ) Typ. | DCR ² (mΩ) Max. | Isat ³ (A) @25°C | L@Isat (mH) Typ. | Irms ⁴ (A) @25°C | L@Irms (mH) Typ. | Dimension |
|-----------------|-----------------------------------|---------------------|----------------------------------|-----------------------------------|------------------------|-----------------------------------|------------------------|-----------|
| L201204-101MHF | 0.106 | 10.15 | 12.50 | 16.00 | 0.0726 | 24.00 | 0.0558 | 1 |
| L201204-161MHF | 0.165 | 19.32 | 23.50 | 13.00 | 0.1130 | 17.00 | 0.0959 | 2 |
| L201204-102MHF | 1.000 | 72.90 | 88.00 | 5.40 | 0.6913 | 8.20 | 0.5010 | 3 |
| L201204-162MHF | 1.634 | 154.30 | 186.00 | 4.20 | 1.1289 | 5.60 | 0.9210 | 2 |
| L201204-452MHF | 4.500 | 530.00 | 640.00 | 2.50 | 3.0335 | 2.50 | 3.3650 | 2 |
| L201204-333MHF | 33.750 | 2900.00 | 3480.00 | 0.95 | 23.3250 | 1.30 | 18.4541 | 3 |

3. Mechanical Dimension of L201204 Series:

| Dim. | A Max. | B Max. | C ± 1.00 | E ± 0.80 | E1 ± 0.40 | E2 ± 0.40 | F ± 0.10 | G Max. |
|------|-----------|-----------|-------------|-------------|--------------|--------------|-------------|-----------|
| 1 | 54.50 | 25.50 | 5.00 | 21.50 | | | Φ2.00 | 52.50 |
| 2 | 53.50 | 26.50 | 5.00 | | 17.78 | 30.48 | Φ1.27 | 55.00 |
| 3 | 54.00 | 28.20 | 5.00 | | 22.86 | 38.10 | Φ1.27 | 55.70 |



Notes:

1. Open Circuit Inductance (OCL) test condition: 10KHz,0.25Vrms,0Adc.
2. The nominal DCR is measured from PIN2 to PIN4 , as shown above on the mechanical drawing (Ta=25°C).
3. Isat: DC current that will cause inductance to drop approximately by 35% (Ta=25°C).
4. Irms: DC current for temperature rise of 40°C(Typ.) without core loss.

● New York 1 914 347 2474 ● Taipei 886 2 2698 8669 ● Kaohsiung 886 7 350 2275
 ● Japan 81 568 85 2830 ● Shenzhen 86 755 8418 6263 ● Shanghai 86 21 5424 5141 ● Hong Kong 852 9688 9767
 ● sales@ITG-Electronics.com ● www.ITG-Electronics.com Revision A: October 28, 2016

*Due to continuous product improvement, all specifications are subject to change without prior notice. Kindly contact an ITG field application engineer or a sales representative prior to purchase.