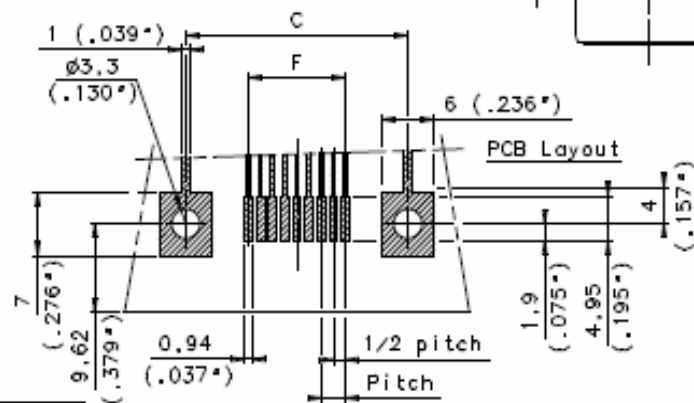
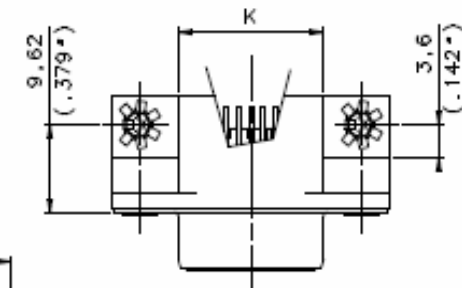
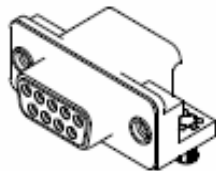
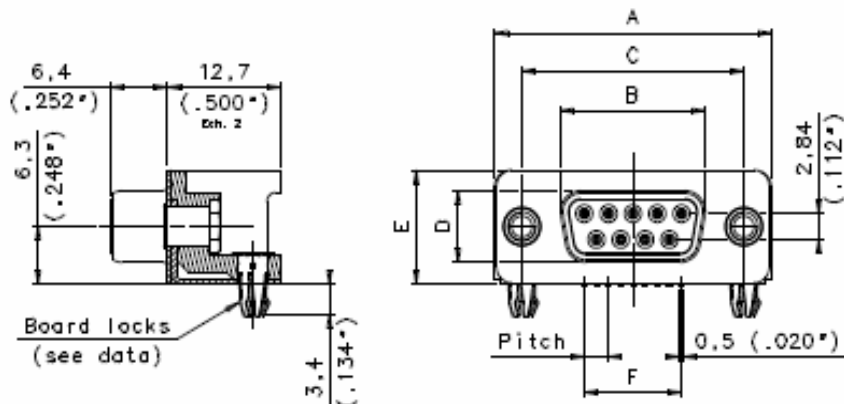


IDEAS-PLAN REALISE EN 2D UNIQUEMENT  
NE PEUT ETRE MIS A JOUR QUE SUR CAO

IN CLIENT

IN OUTIL

IN DETUDE

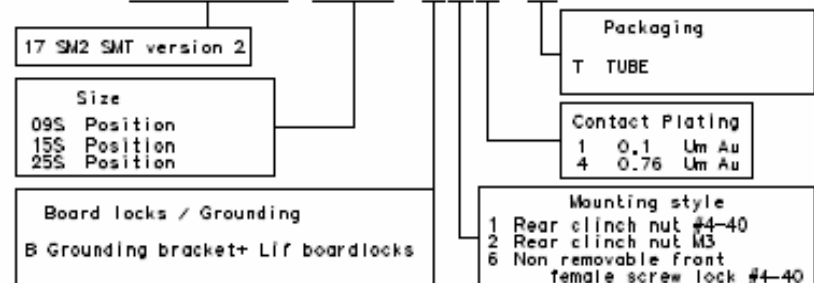


mm	Inch		mm		Inch		mm		Inch		mm		Inch	
Taille Boîtier	A	B	C	D	E	PITCH	F	K	A	B	C	D	E	F
SHELL SIZE	+0.03 -0.10 -0.004	0.2 -0.008	±0.1 ±0.004	0.25 -0.01	±0.2 ±0.008									
E	31.15 1.226	16.4 .645	25 .984	8.03 .316	12.4 .488	2.74 .1078	10.97 .432	16.3 .642						
A	39.4 1.551	24.8 .976	33.3 1.311	8.03 .316	12.4 .488	2.74 .1078	19.2 .756	24.6 .968						
B	53.3 2.098	38.5 1.515	47 1.850	8.03 .316	12.4 .488	2.78 .1086	33.12 1.304	38.3 1.508						

## SUBMINIATURE 'D' CONNECTOR

<b>SHELL BODY</b>	Steel with tin plating Glass filled thermoplastic, flame retardant to UL 94 V0 (resist to short term temperature 500°F (260°C) Color : black									
<b>CONTACTS</b>	Stamped and formed brass Finish of contact on mating area : gold Reminder : .100 u inch (2.5 Um) tin-lead (60/40) Brass with tin plating									
<b>SCREENLOCKS</b>										
<b>BOARD LOCKS</b>	Tin-lead plating Insertion force: < 800 grams per connector									
<b>GROUNDING</b>	Grounding strap: brass with tin-lead plating									
<b>ELECTRICAL</b>	Voltage rating 300 VAC rms at 50 Hz Current rating 3 A Test voltage > 1000 VAC at 50 Hz Contact resistance < 10 M Ohms max. at rated current (measured at the two extreme opposite parts of the contact) Insulation resistance > 5000 M Ohms									
<b>CLIMATIC</b>	Temperature range 85°C (peak 105°C) Damp heat 56 days (105°F -95% RH) Other climatic specifications in accordance with NF C 93-425 sheet HE 501 and MIL C 24-308									
<b>MECHANICAL</b>	Insertion force per contact 1.2 < F < 2.5 N Extraction force per contact 0.4 mini Mating and unmating force <table border="0"> <tr> <td>Size E</td> <td>Mating 30 N Max</td> <td>Unmating 3.5 N mini</td> </tr> <tr> <td>Size A</td> <td>50 N Max</td> <td>4.5 N mini</td> </tr> <tr> <td>Size B</td> <td>83 N Max</td> <td>8.0 N mini</td> </tr> </table>	Size E	Mating 30 N Max	Unmating 3.5 N mini	Size A	50 N Max	4.5 N mini	Size B	83 N Max	8.0 N mini
Size E	Mating 30 N Max	Unmating 3.5 N mini								
Size A	50 N Max	4.5 N mini								
Size B	83 N Max	8.0 N mini								
<b>MARKING</b>	Amphenol ... (Series Number) Commercial reference Manufacturing Date									

L17 SM2 09S B14 T



TOL. GEN.														
VOLUME PIECE														
SURFACE PIECE														
PROTECT ION														
TRAITEMENT														
DATE DE CREATION	PLAN	QUELLE	28/03/2009	DATE	Approb									
IND. MODIFICATIONS														
DATE DU TRIMESTRE														

L17 SM2 09S B14 T

PROBATION DE L'UTILISATION DE LA VERSION CAO