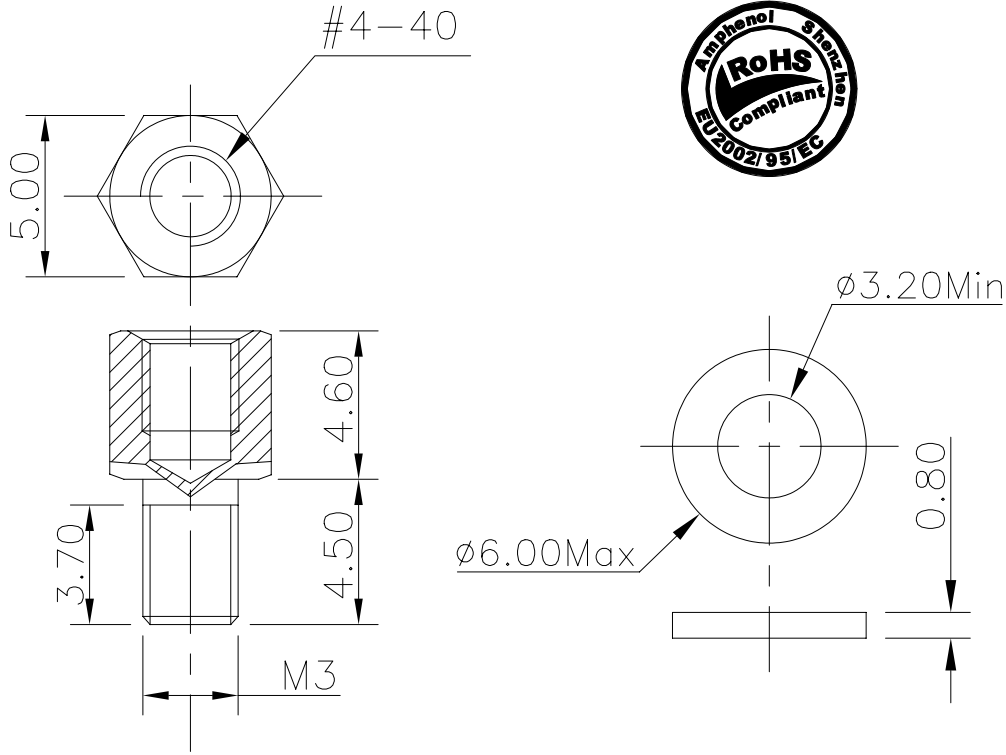


This document is the property of Amphenol Corporation and is delivered on the express condition that it is not to be disclosed, reproduced or used, in whole or in part, for manufacture or sale by anyone other than Amphenol Corporation without its prior consent, & that no right is granted to disclose or to use any information in this document.



SCREW 1Pcs

SCREW 2Pcs

# Customer drawing

## D-SUB TECHNICAL DATA

### MATERIAL:

Screwlock: steel,100u" min tin over 50u" min nickel.

Washer: steel,100u" min tin over 50u" min nickel.

### PACKAGE:

Delivered separately

1 P/N = 1 set

### MARKING:

Amphenol-...(Series No.) Commercial reference

Manufacturing date

REVISIONS				
SYM	ECN	DESCRIPTION	DATE	APPROVED
2			03/28/08	

UNLESS OTHERWISE SPECIFIED TOLERANCES		APPROVAL	DATE	Amphenol
.X	+/-	DRAWN	Christine.cui 03/28/08	
.XX	+/-	CHECKED	lik.wang 03/28/08	
.XXX	+/-	CHECKED		TITLE
FRACTIONS	+/-			Accessory, screwlock with nut and washers
ANGLES	+/-			
FOR MATERIALS AND FINISHES SEE NOTES		DRAWING FILE :		SIZE
REMOVE SHARP EDGES		ANGLE OF PROJECTION		DRAWING NO.
DIMENSIONS				REV.
U.S.	INCHES			A4
METRIC	MM			C L17D4M68711
				SCALE
				NONE
				SHEET 1 OF 1