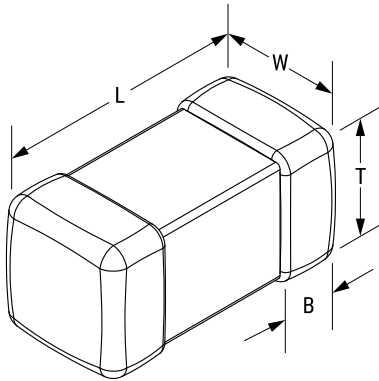


KEMET Part Number: L1210R3R3MDWIT
(L1210R3R3MDWIT)

KEMET, L-DWI, Power, 3.3 uH, 20%



| Dimensions | |
|------------|----------------|
| Chip Size | 1210 |
| L | 3.2mm +/-0.2mm |
| W | 2.5mm +/-0.2mm |
| T | 2.5mm +/-0.2mm |
| LL | 0.6mm +/-0.3mm |
| B | 0.6mm +/-0.3mm |

| Packaging Specifications | |
|--------------------------|------|
| Packaging: | T&R |
| Packaging Quantity: | 1000 |

| General Information | |
|---------------------|------------------------|
| Series: | L-DWI |
| Style: | SMD Chip |
| Description: | Surface Mount Inductor |
| Features: | High Current Type |
| RoHS: | Yes |

| Specifications | |
|--------------------------|--|
| Inductance: | 3.3 uH (0.1 MHz) |
| Inductance Tolerance: | 20% |
| Temperature Range: | -40/+105°C |
| Current: | 1800 mAmps (Isat, 30% Drop In Inductance), 1040 mAmps (Irms, 40C Rise By Self Heating) |
| DC Resistance: | 0.095 Ohms |
| Self-Resonant Frequency: | 160 MHz |