

SD

KTH-2246

REVISIONS

ISSUE	CHANGES
-------	---------

0	ER 37375 KH 08/15/97
---	-------------------------

KTH2246

SCALE 2:1

APPROX SURFACE AREA

WAS: E-19463-15

USED ON

REF:

CRIMP DIE

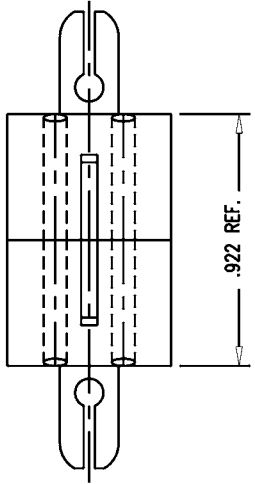
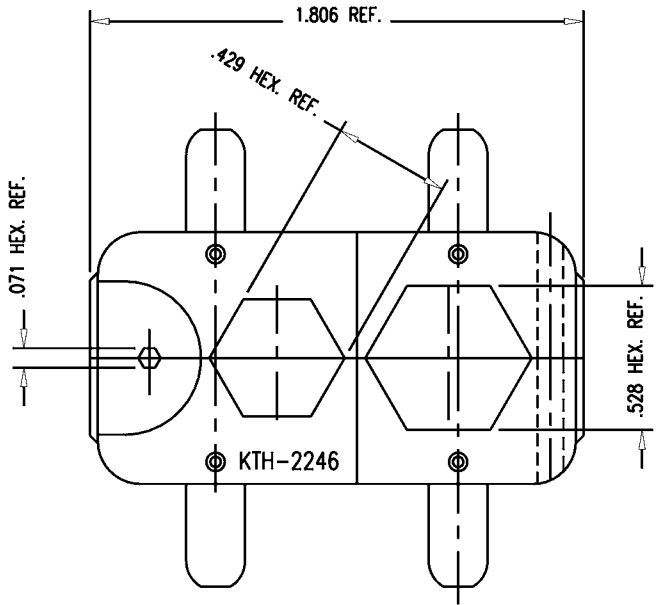
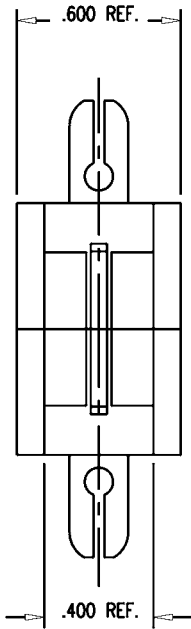
DRAWN KH DATE 08/7/97

DESIGN LJ DATE 08/08/97

APPR. DATE

**KINGS**  
ELECTRONICS CO., INC.  
TUCKAHOE, NEW YORK 10707

KTH-2246



NOTES:

1. MATERIAL: ALLOY STEEL
2. FINISH: BLACK OXIDE (AFTER HEAT TREATING).
3. FOR USE WITH GEPCO/COMMSCOPE 7826 MOHAWK M52479 & BELDEN 9232 CABLE.

SD