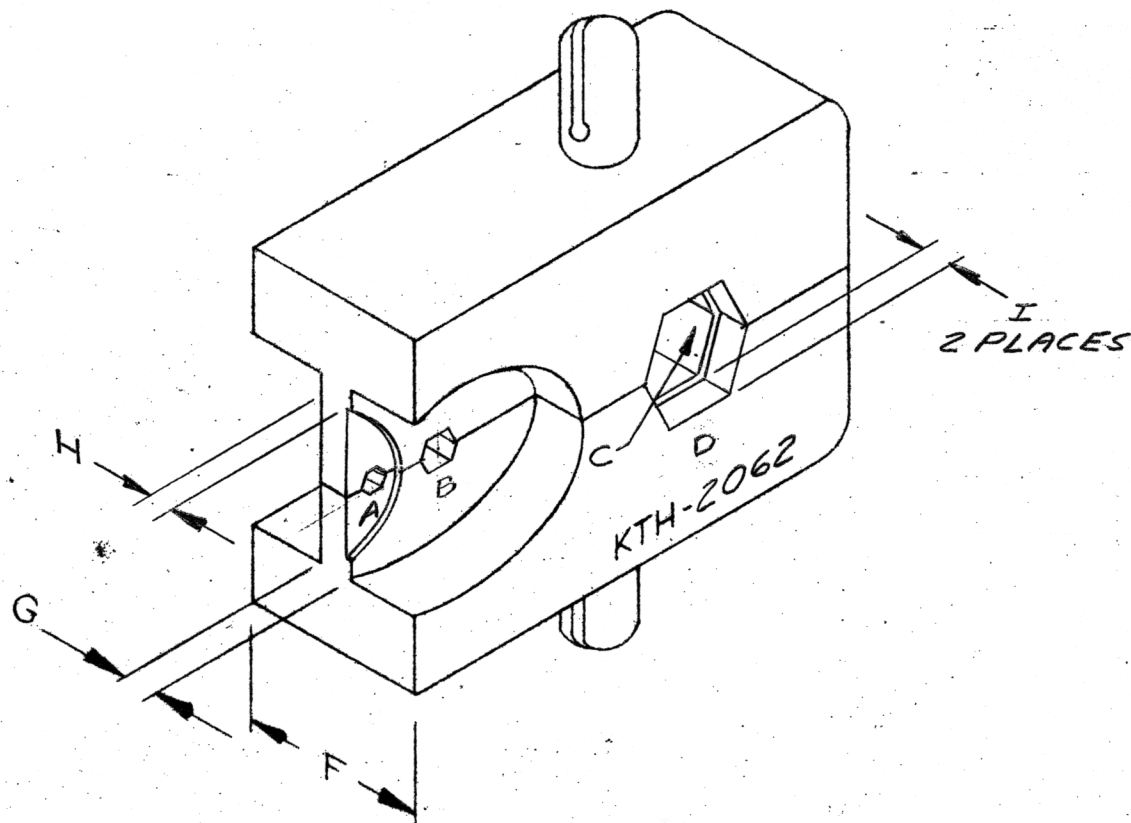




Kings Part	Military Part	Gender	Dimensions (in inches)				Cable Group	Cross Reference To:	Cable Procedure	
			A	B	C	D				
<a href="#">KTH-2062</a>			0.069	0.100	0.255		<a href="#">Connector</a>	NONE		



**NOTES:**

1. FOR USE WITH RG-59, 62, 71 & 210/U CABLE GROUPS.
2. MATERIAL: ALLOY STEEL; FINISH: BLACK OXIDE

HEX SIZES (ACROSS FLATS)				DIE WIDTH	WEB WIDTH		
A	B	C	D	F	G	H	I
.069	.100	.255	.290	.500	.093	.080	.083

**UNLESS OTHERWISE SPECIFIED:**

1. TOLERANCES: FRACTIONS & 2 PLACE DECIMALS  $\pm .010$   
3 PLACE DECIMALS  $\pm .004$   
ANGLES  $\pm 0^{\circ} 30'$
2. REMOVE ALL BURRS, BREAK SHARP EDGES .005 MAX.
3. NO FILLETS PERMITTED.
4. SURFACE ROUGHNESS 63 MICROINCHES RMS MAX.
5. ALL DIMENSIONS PRIOR TO PLATING.

**REVISIONS**

ISSUE	CHANGES
2	CN 27547 C AJ 3 DEC 85

REF:

FINISH

SPEC.

MATL.

SPEC.

**CRIMP DIE**

DRAWN *BG.* DATE *12 OCT 72*

APPR. DATE

**KINGS ELECTRONICS**  
40 MARBLEDALE ROAD  
TUCKAHOE, N. Y. 10707

*KTH-2062*

*S.D.*