

DASH NO

M CODE

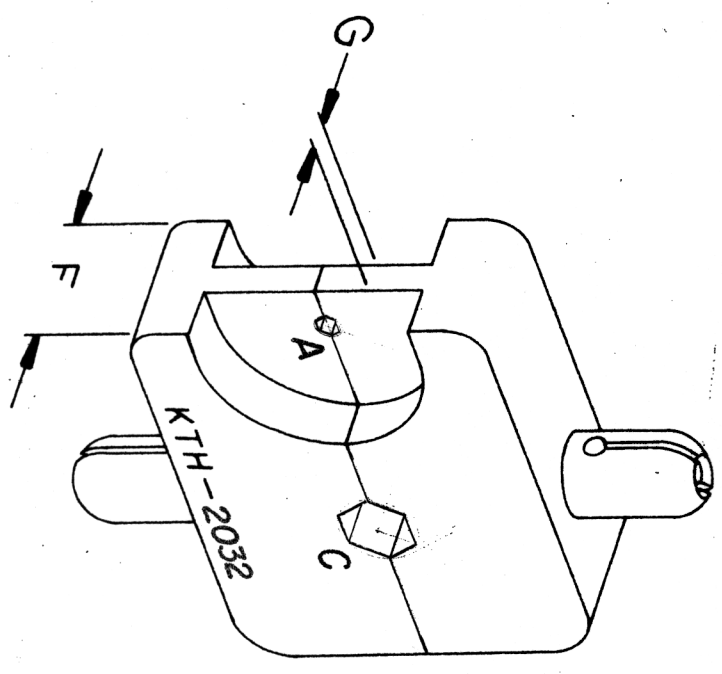
MADE FROM

S-D

KTH-2032

REVISIONS

ISSUE	CHANGES
2	CN 27545C SD 7NOV 85



NOTES:
 1. FOR USE WITH RG-174, 179, 179B, 181, 181A, 188 & 188A CABLE GROUPS.

HEX SIZES (ACROSS FLATS)		DIE WIDTH		DIE WIDTH			
A	B	C	D	F	G	H	I
.042		.151		.375	.080		

UNLESS OTHERWISE SPECIFIED:

1. TOLERANCES: FRACTIONS & 2 PLACE DECIMALS ± .010
3 PLACE DECIMALS ± .004
T. I. R. CONCENTRICITY OF ANY 2 DIAMETERS MAY NOT EXCEED HALF THE SUM OF THEIR TOLERANCES.
2. REMOVE ALL BURRS, BREAK SHARP EDGES .005 MAX.
3. NO FILLETS PERMITTED.
4. SURFACE ROUGHNESS 63 MICROINCHES RMS MAX.
5. ALL DIMENSIONS PRIOR TO PLATING.
6. ALL PLATING IN ACCORDANCE WITH KER 10004.

S-D

SCALE: 2:1

USED ON:

REF:

CRIMP DIE

DRAWN	JL	DATE	6 JUN 75
APPR		DATE	

S-D
EKINGS
 ELECTRONICS CO., INC
 TROY, N.Y. 12180

KTH-2032