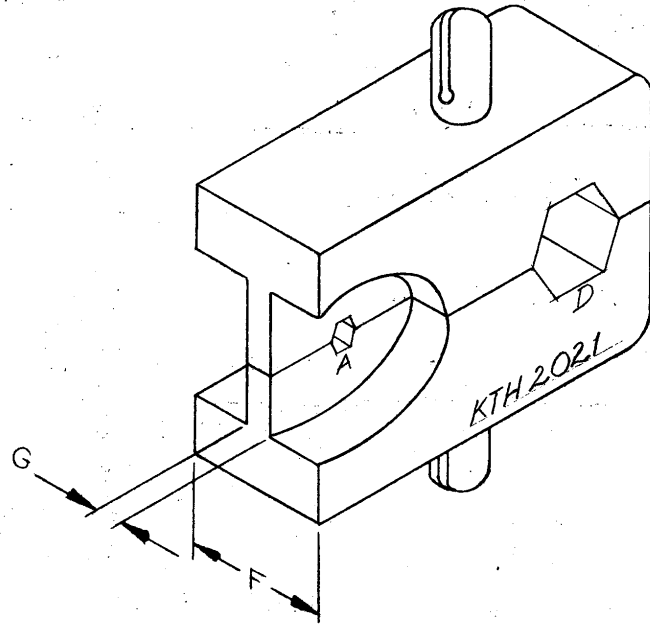


KTH-2021



NOTES:
 1. FOR USE WITH 114, 119, 181, 188, RAYCHEM 5024A-1312, 5026A-1018 & 5026A-1318 CABLE.

HEX SIZES (ACROSS FLATS)				DIE WIDTH	WEB WIDTH			
A	B	C	D	F	G	H	I	
.042	—	—	.128	.315	.080	—	—	

- UNLESS OTHERWISE SPECIFIED:
1. TOLERANCES: FRACTIONS & 2 PLACE DECIMALS ± .010
 3 PLACE DECIMALS ± .004
 T. I. R. CONCENTRICITY OF ANY 2 DIAMETERS MAY NOT EXCEED HALF THE SUM OF THEIR TOLERANCES.
 2. REMOVE ALL BURRS, BREAK SHARP EDGES .005 MAX.
 3. NO FILLETS PERMITTED.
 4. SURFACE ROUGHNESS 63 MICROINCHES RMS MAX.
 5. ALL DIMENSIONS PRIOR TO PLATING.

REVISIONS	
ISSUE	CHANGES
2	CN 27545 C SD 8 NOV 85

REF:
 FINISH:
 SPEC:
 MATL:
 SPEC:

CRIMP DIE

DRAWN IDE DATE 21 NOV 72
 APPR. L1 DATE 21 NOV 72

KINGS ELECTRONICS
 40 MARBLEDALE ROAD
 TUCKAHOE N. Y. 10707

KTH-2021