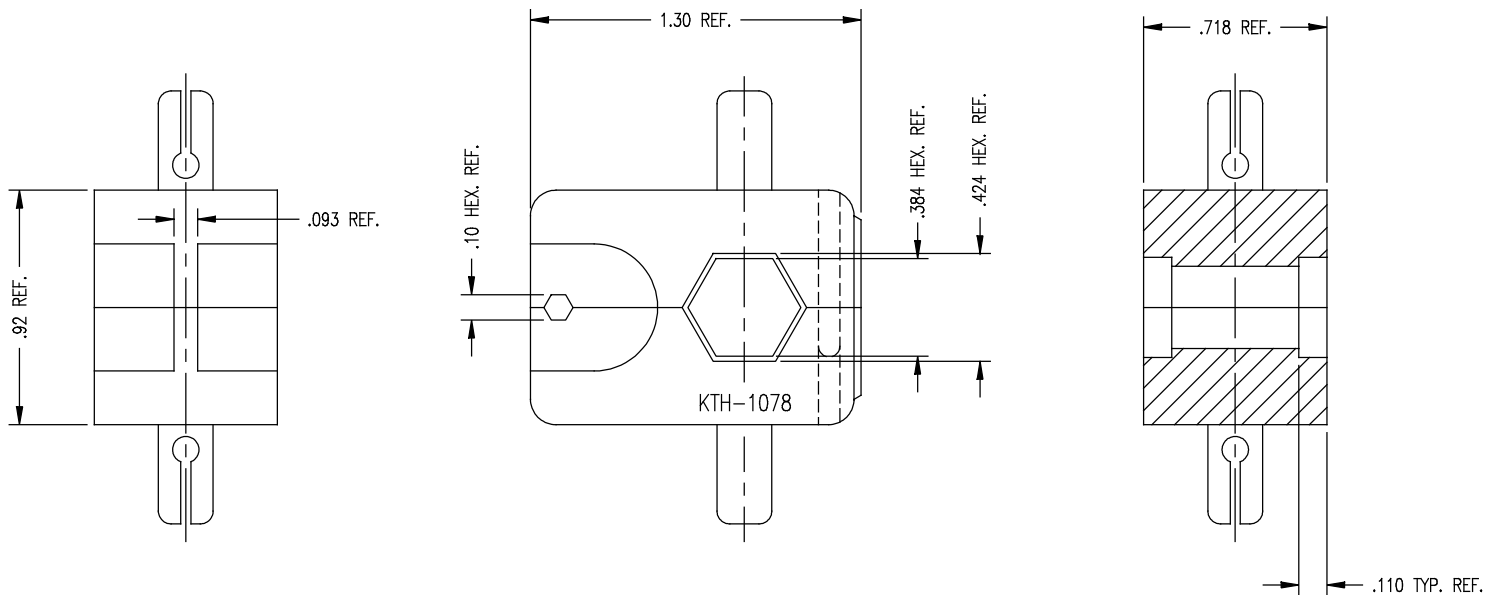


GSD

KTH-1078

REVISIONS

ISSUE	CHANGES
3	CN 35879 E REDRAWN KH 11/14/94
4	CN 35967 C KH 12/08/94



KAM5033

SCALE 2:1

APPROX SURFACE AREA

USED ON

REF:

CRIMP DIE

DRAWN KH DATE 11/14/94

DESIGN GA DATE 11/15/94

APPR. DATE

**KINGS**  
ELECTRONICS CO., INC.  
TUCKAHOE, NEW YORK 10707

KTH-1078

NOTES:

1. FOR USE WITH RG-8, 11, 213/U & 115A/JTM CABLE.
2. FINISH: BLACK OXIDE

GSD