

Delay On Make (Operate) KSDU Digi-Timer Timing Module



- 3 Universal Voltage Ranges from 24 ... 277 V AC/DC
- Digital Integrated Circuitry
- Fixed Time Delay from 0.1 s ... 10,230 s
- +/-0.5% Repeat Accuracy
- 1 A Steady, 10 A Inrush
- Totally Solid State and Encapsulated

Description

The KSDU Series combines digital timing circuitry with universal voltage operation: 24 to 277 V are available in three ranges. The KSDU Series offers factory fixed time delays ranging from 100 ms to 2.8 h. Its 1 A rated output, series connection, and ability to operate on multiple voltages make the KSDU Series an excellent choice for process control systems and OEM equipment.

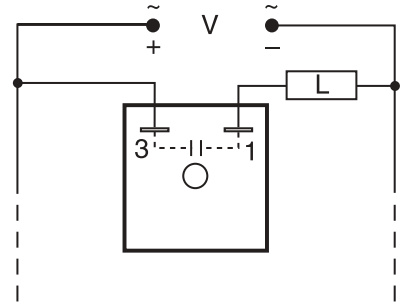
Operation

Upon application of input voltage, the time delay begins. The output is de-energized before and during the time delay. At the end of the time delay, the output is energized and remains energized until input voltage is removed.

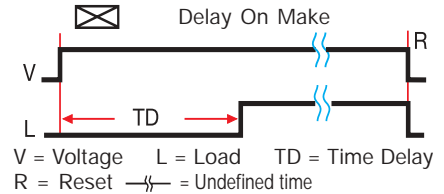
Reset: Removing input voltage resets the time delay and the output.



(UL/CSA Pending 120 ... 277 V Model)



Load may be connected to either terminal 3 or 1.



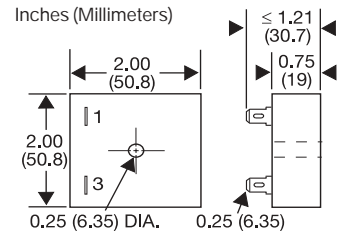
Ordering Table

KSDU Series	X Input	X Adjustment	X Time Delay (Seconds)
-7	120 ... 277 V AC or DC	-1 - Fixed	Specify fixed delay in seconds 0.1 ... 10230
-8	24 ... 120 V AC or DC		
-9	100 ... 240 V AC or DC		

Example P/N: **KSDU81300**

Technical Data

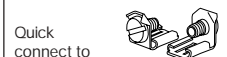
Time Delay	
Type	Digital integrated circuitry
Range	Fixed 0.1 s ... 10,230 s
Repeat Accuracy	+/-0.5%
Tolerance (Factory Calibration)	≤ +/-10%
Recycle Time	150 ms
Time Delay vs. Temperature & Voltage	+/-5%
Input	
Voltage	24 ... 120 V AC or DC 100 ... 240 V AC or DC 120 ... 277 V AC or DC
Line Frequency	50 ... 60 Hz
Tolerance	+/-20%
Output	
Type	Solid state
Form	Normally Open, open during timing
Maximum Load Current	1 A steady state, 10 A inrush at 60°C
Minimum Holding Current	40 mA for 24 ... 120 V & 100 ... 240 V models; 20 mA for 120 ... 277 V models
Voltage Drop	≅ 2.5 V at 1 A
Protection	
Circuitry	Encapsulated
Dielectric Breakdown	≥ 2000 V RMS terminals to mounting surface
Insulation Resistance	≥ 100 MΩ
Mechanical	
Mounting	Surface mount with one #10 (M5 x 0.8) screw
Package	2 x 2 x 1.21 in. (50.8 x 50.8 x 30.7 mm)
Termination	0.25 in. (6.35 mm) male quick connect terminals
Environmental	
Operating Temperature	-40°C ... +60°C
Storage Temperature	-40°C ... +85°C
Humidity	95% relative, non-condensing
Weight	≅ 2.4 oz (68 g)



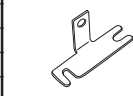
Accessories



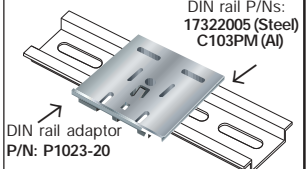
P/N: P1015-64 (AWG14/16)



P/N: P1015-18



P/N: P1023-6



DIN rail P/Ns: 17322005 (Steel) C103PM (Al)

See accessory pages at the end of this section.