



RoHS

## KPPX/KPJX Series

### Snap and Lock PCB and Cable Mount

Features 

- Laptop Computers, Power Supplies and Other Portable Digital Equipment Applications
- Snap and Lock Feature Helps to Prevent Accidental Disconnects
- 3 or 4 Pins Transmit Power, or One Pin Can be Used For Signal Transmission
- For Signal and DC Power Applications
- Plugs Supplied in Kits Ready for Assembly
- CSA/NRTL Certified File No. LR78160

## Performance Specifications

### Materials and Finish

Jack

**Shield:** Tin Plated

**Body:** PBT UL94 V-0 Rated

**HT Body:** High Temperature Thermoplastic, UL94 V-0 Rated

Plug

**Body:** ABS, UL 94HB Rated

**Insert:** Nylon, UL 94HB Rated

### Electrical Characteristics

#### Contact Rating

**3 Position:** Pin 1 and 2, 20V DC at 7.5A Max.,  
Pin 3, 20V DC 1.0A Max.

**4 Position:** 20V DC 7.5A Max. for all Pins

**Insulation Resistance:** 50 Megohms Min. at 250V DC

**Dielectric Withstanding Voltage:** 500V AC for 1 Minute

**Contact Resistance:** 30 milliohms Max.

### Mechanical Characteristics

**Durability Test:** 1000 Cycles

**Suggested Wire Awg.:** #18 for Power Wires, #24 for Signal Wire

## DC POWER CONNECTORS

### KPJX / KPPX Series

#### Documentation & Ordering Information


Kycon Part #

#### Part Number Builder

Series	Mounting Option	No of Contacts	Contact Type	Shield Option
--------	-----------------	----------------	--------------	---------------

#### Series

KPJX - Right Angle Receptacle

KPJX-CM - Receptacle, Cable Mount

KPJX-PM - Receptacle, Panel Mount

KPJXHT - High Temp Right Angle Receptacle

KPPX - Snap and Lock DC Power Plug Cable Mount

#### Number of Contacts

3 Pin

4 Pin

#### Contact Type

S - Socket (KPJX Only)

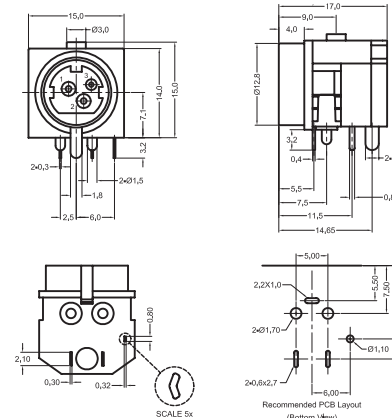
P - Plug (KPPX Only)

#### Shield Option

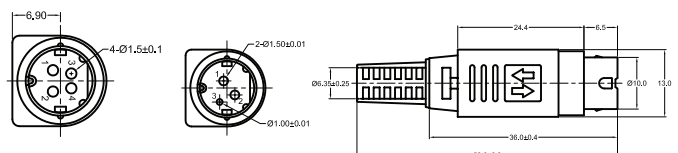
Blank - Non-Shielded

S - Shielded (KPJX, KPJX-PM and KPJXHT only)

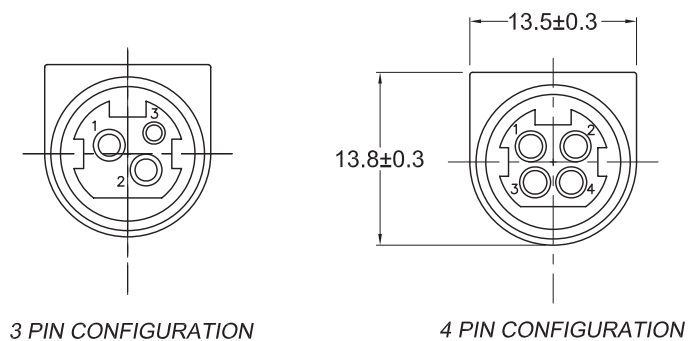
#### KPJX-3S



#### KPPX-xP

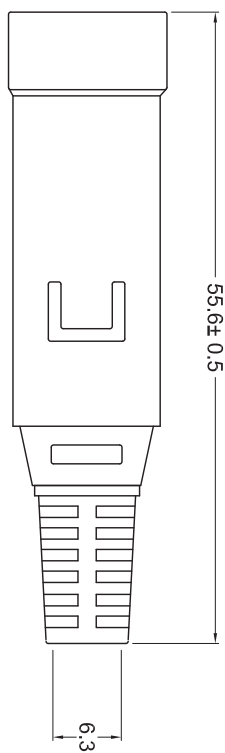


**KPJX-CM-xS**

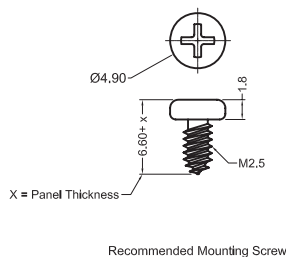
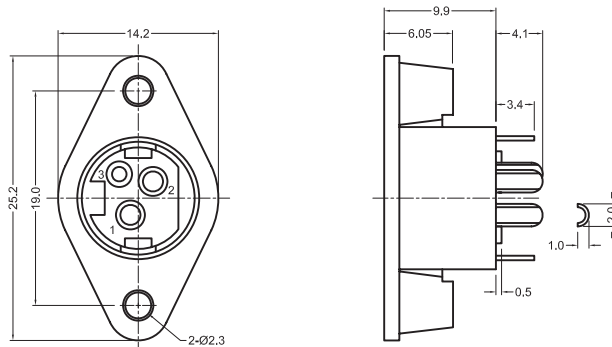


3 PIN CONFIGURATION

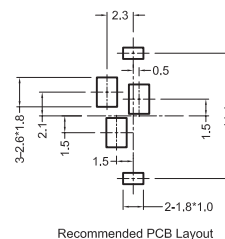
4 PIN CONFIGURATION



**KPJX-PM-3S**

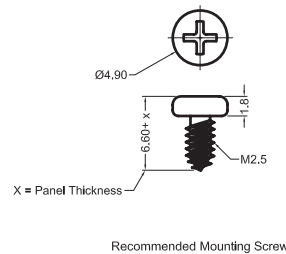
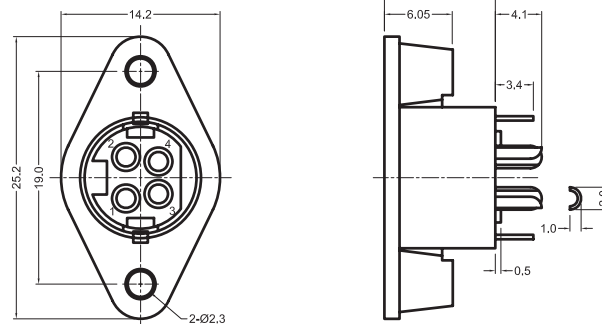


Recommended Mounting Screw

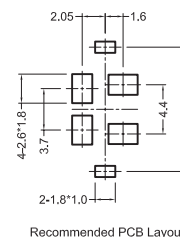


Recommended PCB Layout

**KPJX-PM-4S**



Recommended Mounting Screw



Recommended PCB Layout