



KPP/KPJ Series Snap and Lock PCB and Cable Mount

Features



- Laptop Computers, Power Supplies and Other Portable Digital Equipment Applications
- Snap and Lock Feature Helps to Prevent Accidental Disconnects
- Two or Four Pins Transmit Power, or One Pin Can be Used For Signal Transmission
- For Signal and DC Power Applications
- Plugs Supplied in Kits Ready for Assembly
- CSA/NRTL Certified File No. LR78160

Performance Specifications Materials and Finish

Jack

Shield: Tin Plated
Body: PBT UL 94V-0 Rated
7.5 Amp Power Contact: Brass, Tin Plated 0.000010
1.0 Amp Signal Contact: Phosphor Bronze, Tin Plated 0.000010



Plug

Shield: Nickel Plated
Pins: Copper Alloy, Silver Plated
Plastics: UL 94V-0 Rated



Electrical Characteristics

Contact Rating

3 Positions: Pin 1 and 2, 20V DC at 7.5A Max., Pin 3, 20V DC 1.0A Max.

4 Positions: 20V DC 7.5A Max. for all Pins

Insulation Resistance: 50 Megohms Min. at 250V DC

Dielectric Strength: 250V AC for 1 Minute

Contact Resistance: 50 Milliohms Max.

DC POWER CONNECTORS

KPJ / KPP Series

Mechanical Characteristics

- Durability Test: 1000 Cycles
- Suggested Wire Awg. #18 for Power Wires, #24 for Signal Wire

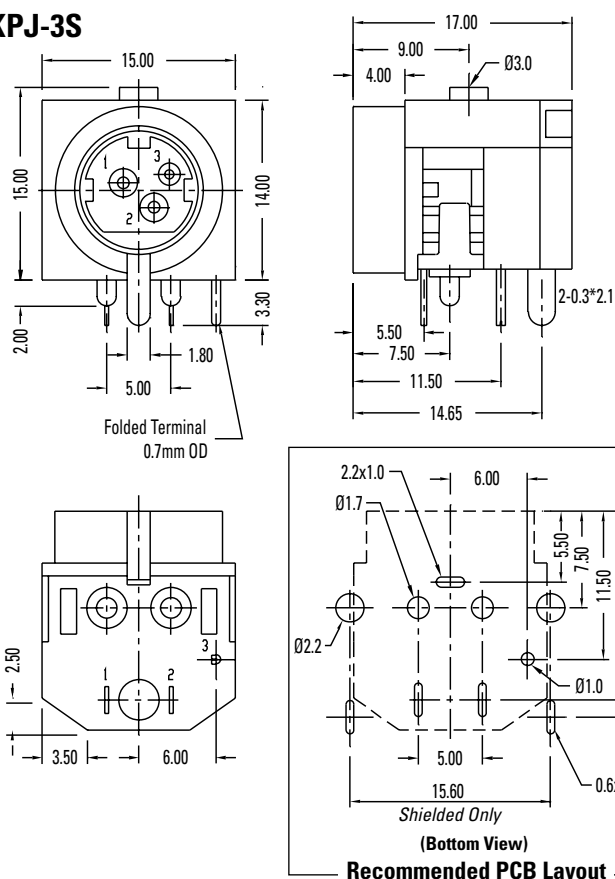
Ordering Information

KPJ	-	3	S	-
Series		Number of Contacts	Contact Type	Shield Option
Series				
KPJ - Kycon Snap and Lock DC Power Jack, Right Angle PCB Mount Receptacle				
KPP - Kycon Snap and Lock DC Power Plug Cable Mount				
Number of Contacts				
3,4				
Contact Type				
S - Socket (KPJ Only)				
P - Plug (KPP Only)				
Shield Option				
Blank - Non-Shielded				
S - Shielded (KPJ only)				

KPJ Series Dimensions

Dimensions in mm

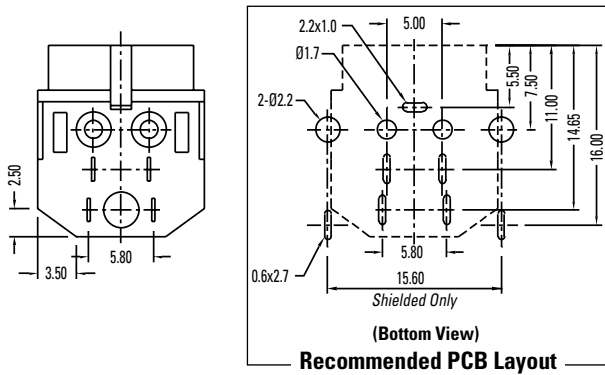
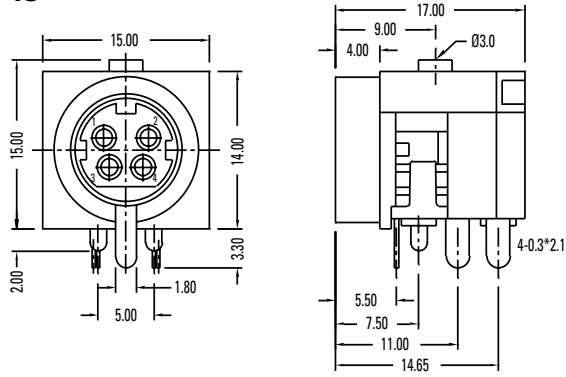
KPJ-3S



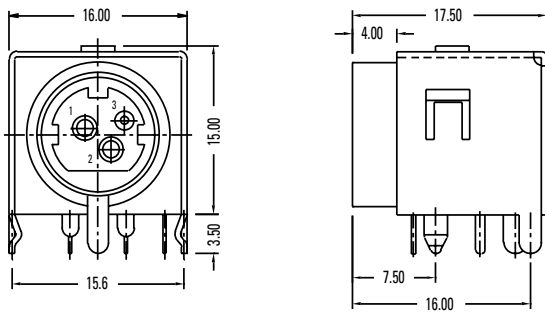
KPJ Series Dimensions

Dimensions in mm

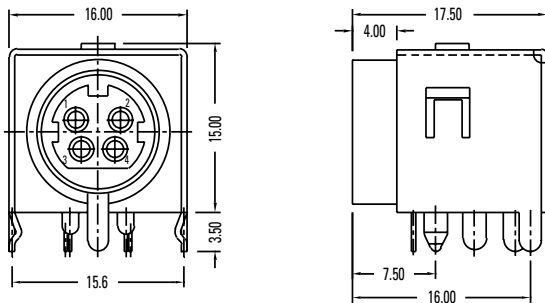
KPJ-4S



KPJ-3S-S

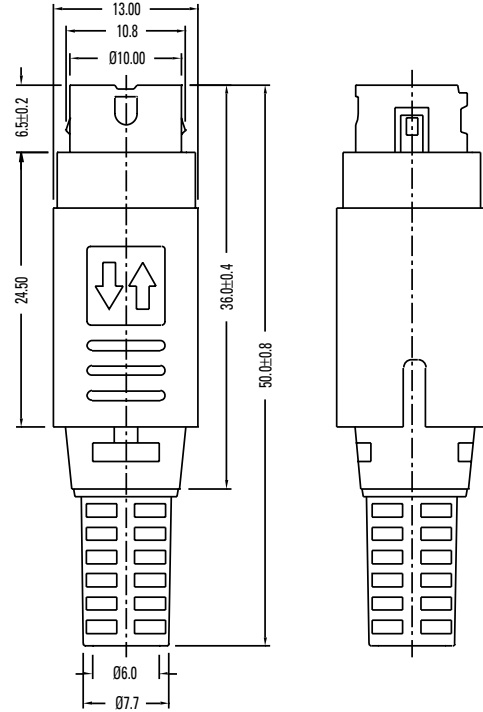
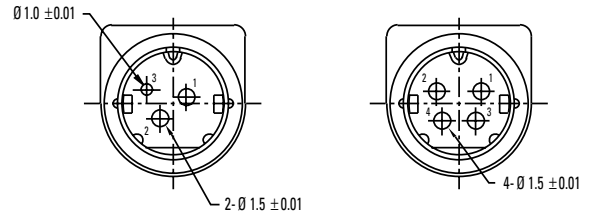


KPJ-4S-S



KPP Series Dimensions

Dimensions in mm



Assembly instructions available on the KYCON website