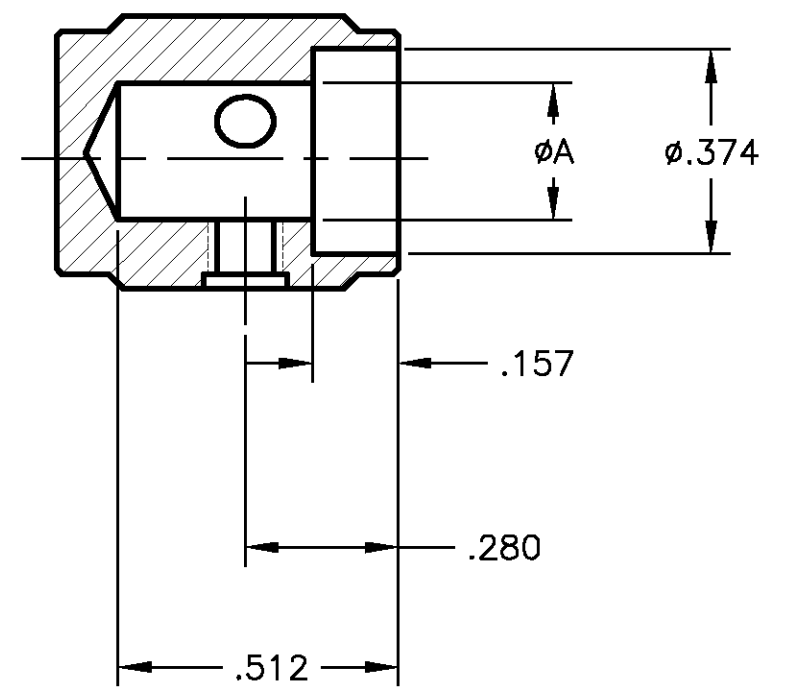
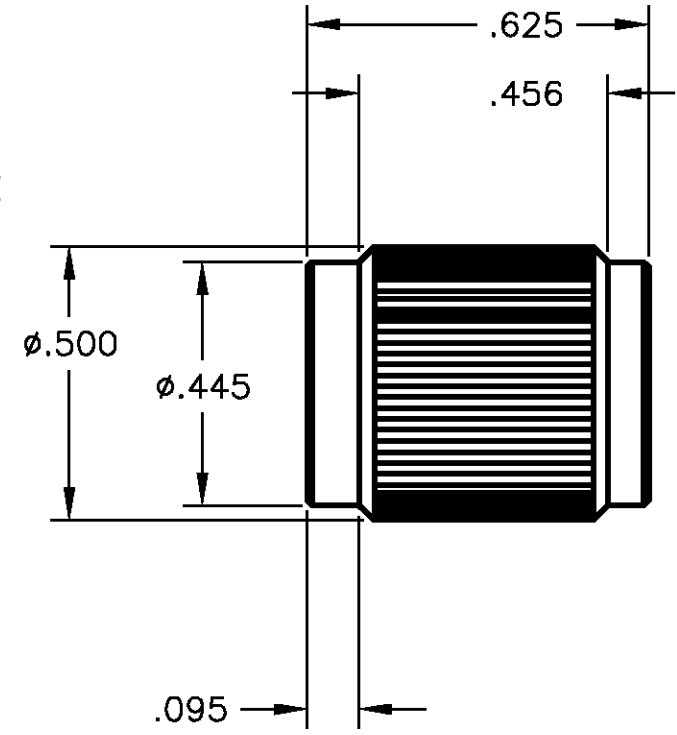
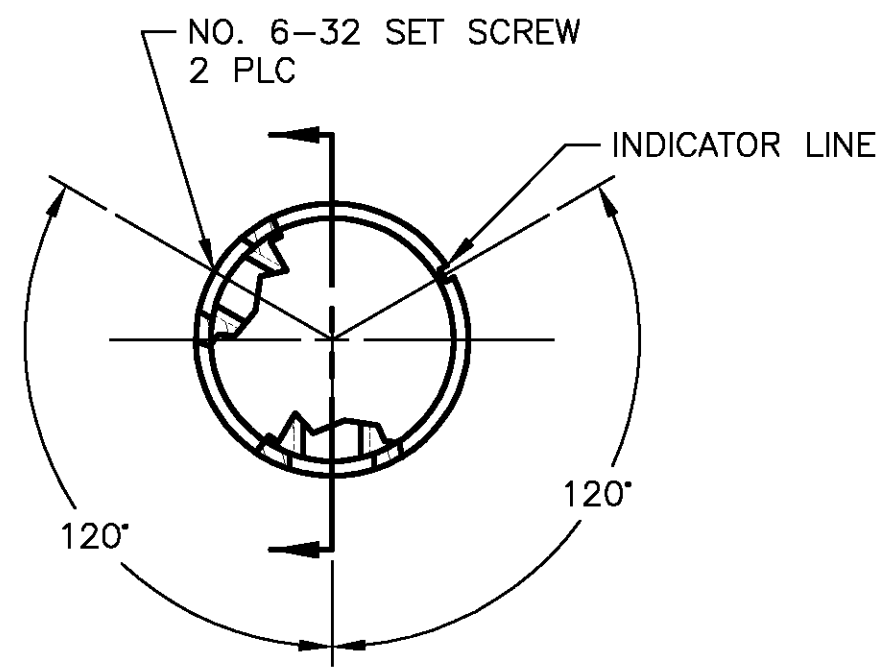


THIS DRAWING IS UNPUBLISHED. RELEASED FOR PUBLICATION
 © COPYRIGHT BY TYCO ELECTRONICS CORPORATION. ALL RIGHTS RESERVED.

LOC	DIST	REVISIONS				
P	LTR	DESCRIPTION	DATE	DWN	APVD	
AD	00					
	A	REV PER EC OG3C-425-02	03DEC02	MB	MZ	



- 1 KNOB: ALUMINUM; SET SCREWS: STAINLESS STEEL
- 2 FINISH: ANODIZED - SEE TABLE
- 3. WAS DRAWING NUMBER 80253

.251	NONE	BLACK	BLACK	KN500B1/4NL	1571193-1
	WHITE	NATURAL	BLACK	KN500BA1/4	4-1437622-8
	BLACK	BLACK	NATURAL	KN500AB1/4	4-1437622-4
	WHITE	BLACK	BLACK	KN500B1/4	4-1437622-6
.126	BLACK	NATURAL	NATURAL	KN500A1/4	4-1437622-2
	WHITE	NATURAL	BLACK	KN500BA1/8	4-1437622-9
	BLACK	BLACK	NATURAL	KN500AB1/8	4-1437622-5
	WHITE	BLACK	BLACK	KN500B1/8	4-1437622-7
A	BLACK	NATURAL	NATURAL	KN500A1/8	4-1437622-3
	INDICATOR LINE	TOP COLOR	BODY	MODEL NUMBER	PART NUMBER

THIS DRAWING IS A CONTROLLED DOCUMENT.		DWN M.BINNER	03DEC02	Tyco Electronics Corporation Harrisburg, PA 17105	
DIMENSIONS: INCHES		CHK M.ZITTO	-	NAME	
		APVD M.ZITTO	-	KNOB, STRAIGHT KNURL HAIRLINE INDICATOR (KN-500)	
TOLERANCES UNLESS OTHERWISE SPECIFIED:		PRODUCT SPEC	-	SIZE	CAGE CODE
0 PLC ± - 1 PLC ± - 2 PLC ± - 3 PLC ± .020 4 PLC ± - ANGLES ± -		APPLICATION SPEC	-	DRAWING NO	RESTRICTED TO
MATERIAL		WEIGHT	-	A3 00779	-
FINISH		CUSTOMER DRAWING		4-1437622-6	-
		SCALE	3:1	SHEET	1 OF 1
		REV	A		