

RoHS



KMDGX Series Stacked Mini-DIN Gold Plated

Features

- Audio, Video, Computer and Digital Equipment Applications
- Mates with Standard and Snap and Lock Plugs
- Space Saving Stacked Design
- Shielded Options Available for Good Conductivity, Grounding and EMI/RFI Protection
- Visual and Mechanical Polarization for Plug Insertion
- Gold Plated Contacts
- Reflow Compatible Design Available

Performance Specifications

Materials and Finish

Body: PBT Thermoplastic, Black Color, UL 94V-0 Rated

Contacts: Copper Alloy

Shield: Brass, Nickel Plated

Mechanical Characteristics

Insertion Force: 4.5 kg Max

Extraction Force: 0.4 kg - 3.5 kg

Durability: 500 Cycles Minimum

Electrical Characteristics

Rated Voltage: 12V DC

Rated Current: 2A

Insulation Resistance: 500 Megohms Min.

Contact Resistance:

Before Durability Test: Plug to Terminals: 30 milliohms Max.

After Durability Test: Plug to Terminals: 60 milliohms Max.

Dielectric Withstanding Voltage: 500V AC RMS for 1 Minute

Operating Temperature: -25°C to +85°C

MINI-DINs / CIRCULAR DINs

KMDGX-*S / *S Series

Documentation & Ordering Information

Kycon Part #

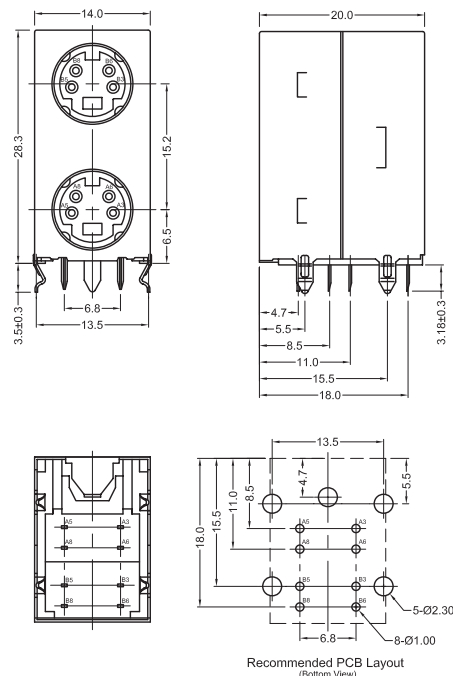
Part Number Builder

Series	Configuration	Shield Option	Plating Option
Series KMDGX - Stacked PCB Mount Mini-DIN	Configuration 4S/4S - 4 Contacts over 4 Contacts 4S/8S - 4 Contacts over 8 Contacts* 6S/6S - 6 Contacts over 6 Contacts 6S/8S - 6 Contacts over 8 Contacts* 8S/8S - 8 Contacts over 8 Contacts*	Shield Option S4N - Fully Shielded S4N1 - Fully Shielded with Mounting Hole	Plating Option Standard : Gold flash over nickel on contacts. Tin over nickel on soldertails.

KMDGX Series Dimensions

Dimensions in mm

KMDGX-4S/4S-S4N



* Minimum Quantities May Apply, Contact Factory for Specifications