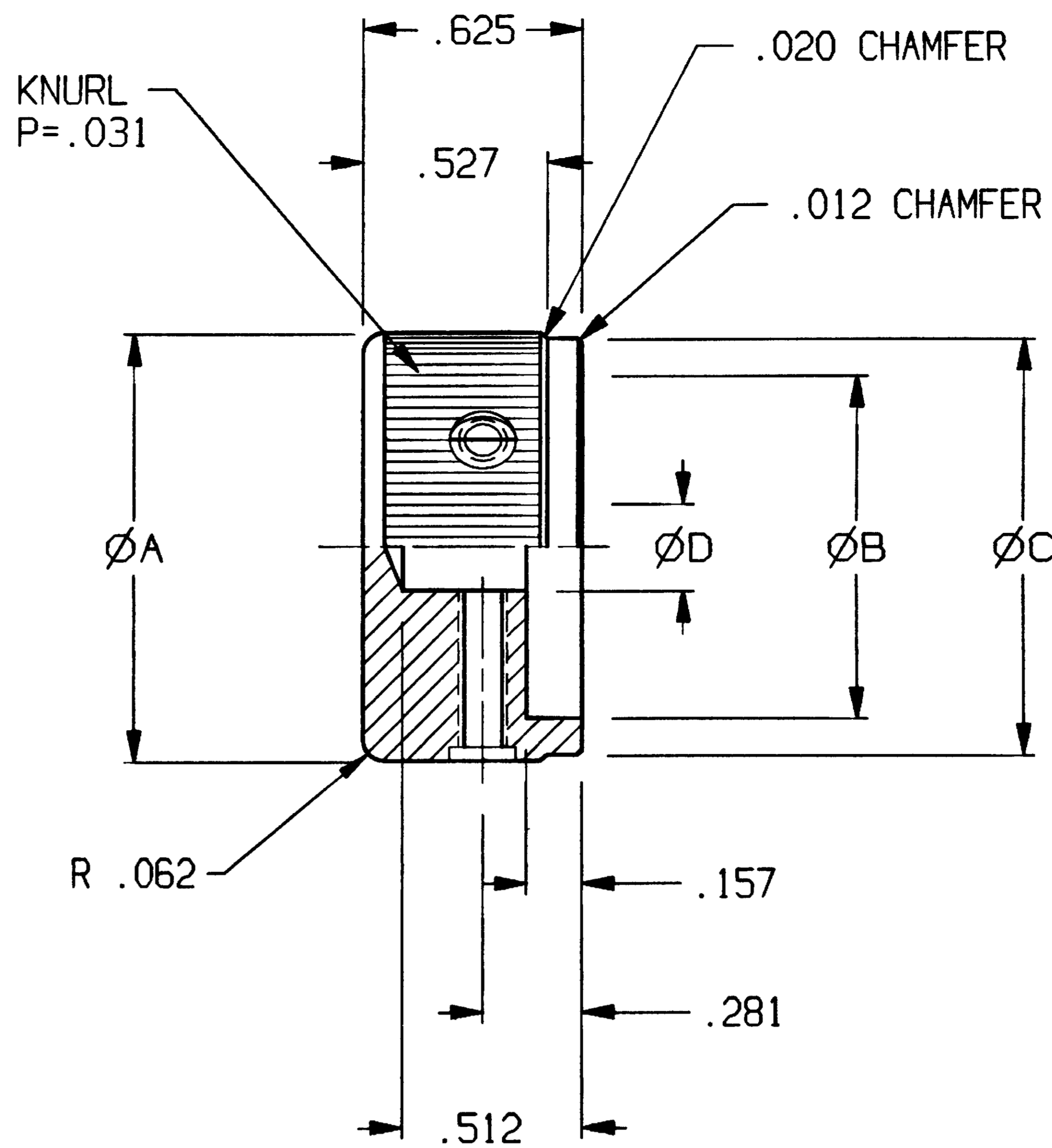
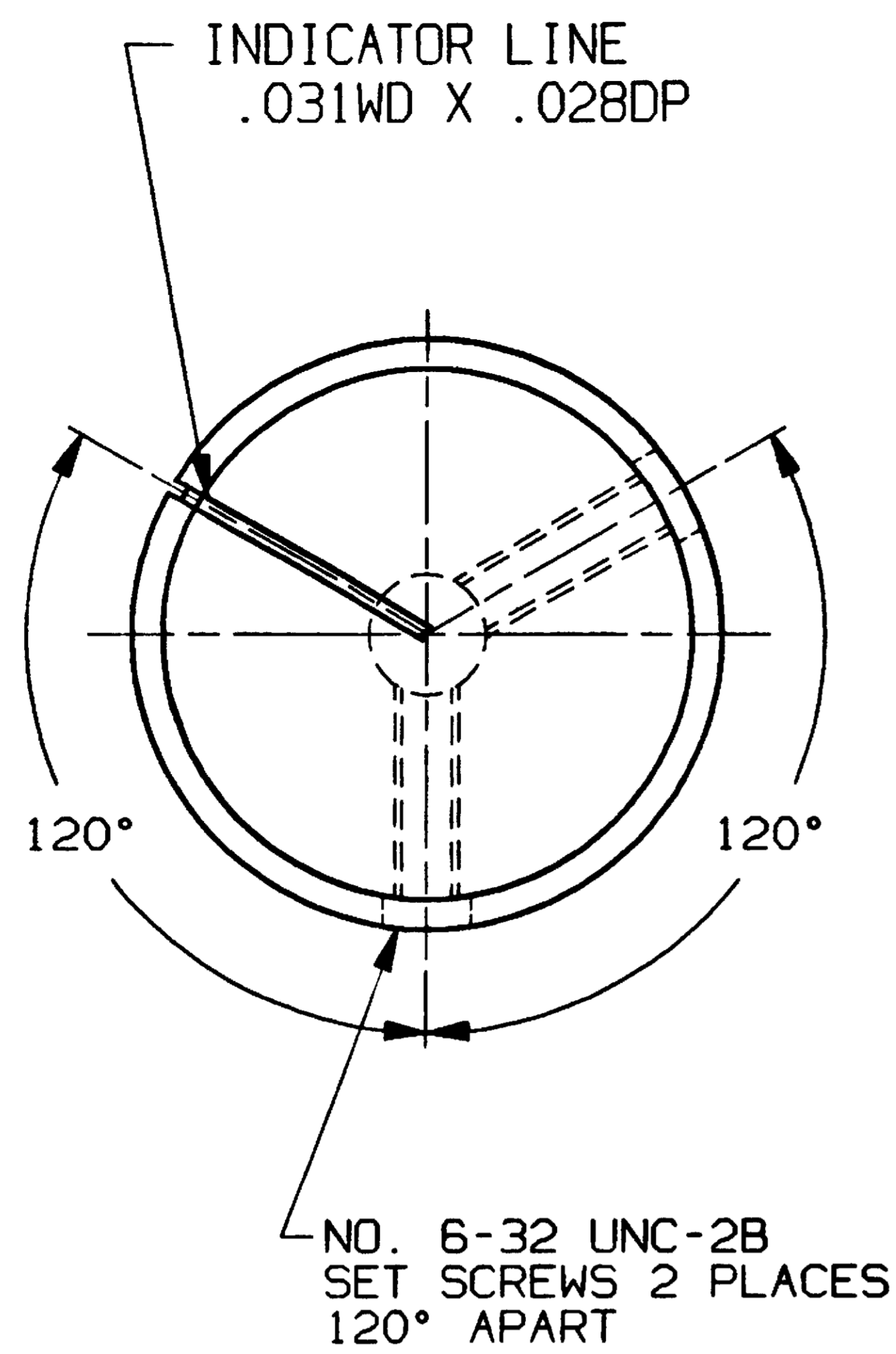


CONVERSION CHART		CONVERSION CHART	
INCH	MM	INCH	MM
.003	0.08	.500	12.70
.004	0.10	.512	13.00
.008	0.20	.527	13.38
.012	0.30	.591	15.00
.020	0.50	.625	15.87
.028	0.70	.685	17.40
.031	0.80	.709	18.00
.062	1.58	.740	18.80
.126	3.20	.882	22.41
.157	4.00	.937	23.81
.158	4.10	.984	25.00
.251	6.38	1.195	30.35
.281	7.14	1.252	31.80
.374	9.50		
.445	11.30		



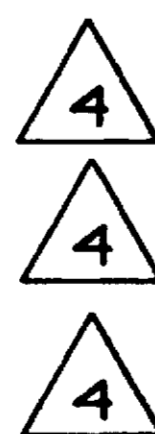
△ 6 SPECIFICATIONS:

MATERIALS:
MATERIAL: ALUMINIUM, ANODIZED
FINISH: SEE TABLE.
SET SCREW: #6-32 UNC-2A
STAINLESS STEEL.

△ 6 NOTES:

1. INTERPRET DRAWING PER ASME Y14.5M-1994.

MODEL NO.	A	B	C	ØD	ANODIZE	INDICATOR LINE
KLN500A1/8	.500	.374	.445	.126	CLEAR	BLACK
KLN500A1/4	.500	.374	.445	.251	CLEAR	BLACK
KLN500B1/8	.500	.374	.445	.126	BLACK	WHITE
KLN500B1/4	.500	.374	.445	.251	BLACK	WHITE
KLN500S1/8	.500	.374	.445	.126	SMOKE	WHITE
KLN500S1/4	.500	.374	.445	.251	SMOKE	WHITE
KLN700A1/4	.740	.591	.685	.251	CLEAR	BLACK
KLN700B1/4	.740	.591	.685	.251	BLACK	WHITE
KLN700S1/4	.740	.591	.685	.251	SMOKE	WHITE
KLN900A1/4	.937	.709	.882	.251	CLEAR	BLACK
KLN900B1/4	.937	.709	.882	.251	BLACK	WHITE
KLN900S1/4	.937	.709	.882	.251	SMOKE	WHITE
KLN1250A1/4	1.252	.984	1.195	.251	CLEAR	BLACK
KLN1250B1/4	1.252	.984	1.195	.251	BLACK	WHITE
KLN1250S1/4	1.252	.984	1.195	.251	SMOKE	WHITE



OUTLINE DRAWING			
SPECIFICATIONS ARE SUBJECT TO CHANGES WITHOUT NOTICE			
<p>THIRD ANGLE PROJECTION</p>	UNLESS OTHERWISE SPECIFIED DIMENSIONS ARE IN INCHES DO NOT SCALE PRINT		ORIGINAL DATE OF DRAWING: 9/30/91
	TOLERANCES (EXCEPT AS NOTED) ANGULAR = ±3° (NON-CUMULATIVE) DECIMAL .XX = ± DECIMAL .XXX = ±.012 DECIMAL .XXXX = ±	FILE NAME: 80251OUT DIRECTORY: HDWR/KNOBS	DRAWN: B.R. DATE: 9/30/91
AUGAT CONFIDENTIAL This document contains information which is the exclusive property of Augat Inc. Distribution, reproduction or use by others is not permitted without the expressed written consent of Augat Inc.		MATERIAL: SEE SPECIFICATIONS	APPROVED: D.S. DATE: 10/10/91
FINISH: SEE SPECIFICATIONS		CODE IDENT. NO. 91506 DWG. SIZE C	DWG. NO. 80251-SD REV. 6
		NEXT ASSY:	SCALE: SHEET 1 OF 1

THIS IS A C.A.D. GENERATED DRAWING. DO NOT MAKE MANUAL REVISIONS TO MASTER.

AUGAT 452 JOHN DIETSCH BLVD. ATTLEBORO FALLS, MASS. 02763 INC.

TITLE: **OUTLINE DRAWING**
KNOB
(KLN SERIES)

DWG. NO. 80251-SD
REV. 6
SCALE: SHEET 1 OF 1

REV	3	4	5
REVISIONS			
REVISED	ECO# 4106 CMM 9/26/91 APP'D: D.S.	REVISED ECO# 4202 M.M. 2/21/91 APP'D: D.S.	REVISED ECO# 549-92 B.E.N. 6/3/92 APP'D: D.SARKISIAN 6-5
		REVISED & REDRAWN ECO# 392-95 K.W. 6-10-95 APP'D: <i>[Signature]</i>	