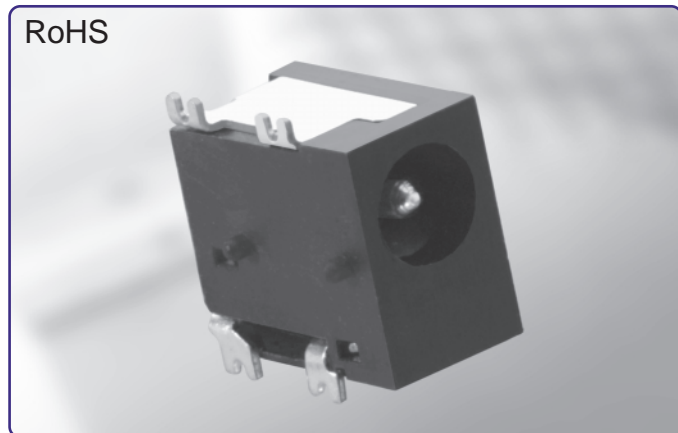


RoHS



KLDX-SMT Series Surface Mount Mini DC Power Jack

Features



- 1.0mm and 1.3mm
- Built in DC On/Off Switch
- Laptop and Palmtop Computers, Portable Modems, Radar Detectors, and Other Portable Device Applications
- High Temperature Material For Reflow Compatibility
- Packaged in Tape & Reel for Automated Assembly
- CSA/NRTL Certified File No. LR78160

Performance Specifications

Materials and Finish

Plastic Housing: High Temperature Thermoplastic, UL94V-0 Rated, Black Color

Center Pin : Copper Alloy, Nickel Plated

Contact : Copper Alloy, Silver Plated

Mechanical Characteristics

Durability Test : 5000 Cycles

Insertion Force : 0.3kg - 2.0kg

Extraction Force : 0.3kg - 2.0kg

Operating Temperature: -25°C to +85°C

Electrical Characteristics

**Contact Resistance
Before Durability Test**

Between Terminals : 30 milliohms Max.

Plug to Contacts: 50 milliohms Max.

After Durability Test

Between Terminals : 60 milliohms Max.

Plug to Contacts : 100 milliohms Max.

Rated Voltage: 24V DC

Rated Current: 3.0 Amps

Insulation Resistance : 100 Megohms Min.

Dielectric Withstanding Voltage : 500V AC RMS for 1 Minute

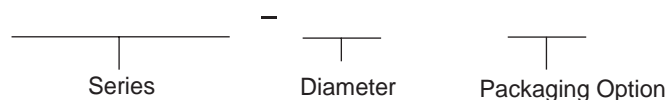
DC POWER CONNECTORS

KLDX-SMT Series

Documentation & Ordering Information

Kycon Part #

Part Number Builder



Series

KLDX-SMT-0201L - Surface Mount Mini DC Power Jack

Diameter

A - 1.0mm Center Pin Diameter

B - 1.3mm Center Pin Diameter

Packaging Option

TR - Tape and Reel

KLDX Series Dimensions

Dimensions in mm

KLDX-SMT-0201L

