

KLDX Series PCB Mount Mini DC Power Jack

Features

- 1.0mm and 1.3mm
- Built in DC On/Off Switch
- CSA/NRTL Certified File No. LR78160



Performance Specifications

Materials and Finish

- Plastic Housing:** UL 94V-0 Rated, Black Color
- Center Pin:** Copper Alloy, Nickel Plated
- Contact #1 and #3:** Brass, Tin Plated
- Contact #2:** Phosphor Bronze, Tin Plated

Electrical Characteristics

- Contact Resistance Before Durability Test**
- Between Terminals:** 30 milliohms Max.
- Plug to Contacts:** 50 milliohms Max.
- After Durability Test**
- Between Terminals:** 60 milliohms Max.
- Plug to Contacts:** 100 milliohms Max.
- Rated Voltage:** 24V DC
- Rated Current:** 2.5 Amps
- Insulation Resistance:** 100 Megohms Min. at 500V DC

Mechanical Characteristics

- Durability Test:** 5000 Cycles
- Insertion Force:** 0.3kg - 2.0kg
- Extraction Force:** 0.3kg - 2.0kg
- Operating Temperature:** -25°C to + 85°C

DC POWER CONNECTORS

KLDX Series

Documentation & Ordering Information

Kycon Part #

Part Number Builder



Series

KLDX-0201 - PCB Mount Mini DC Power Jack

Diameter

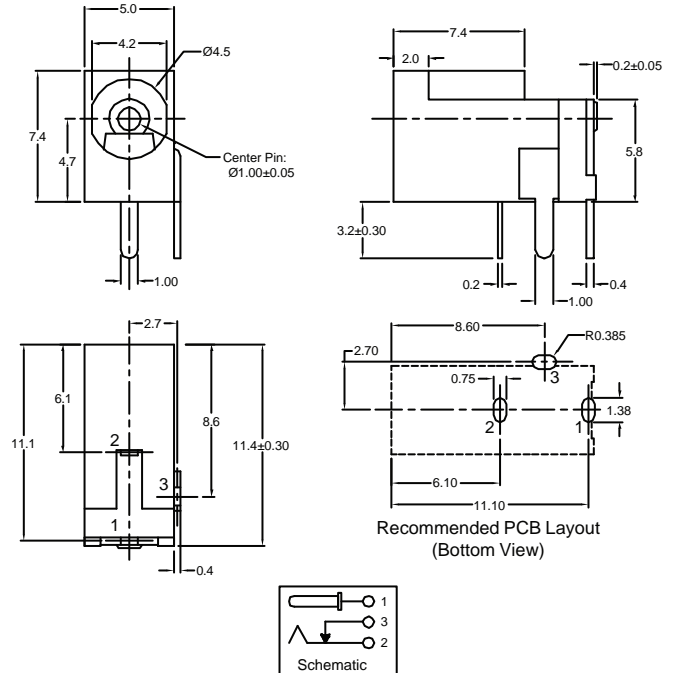
- A - 1.0mm Center Pin Diameter
- B - 1.3mm Center Pin Diameter

Lead Style

- Blank - Standard Straight
- C - Crimped

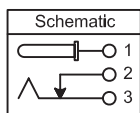
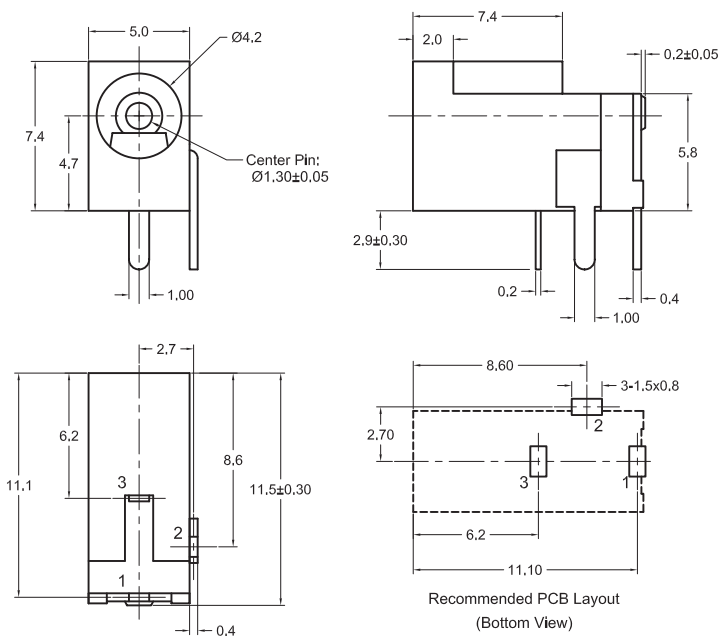
Contact Kycon for TR and other options

KLDX-0201-A Dimensions in mm



KLDX-0201-B

Dimensions in mm



KLDX-0201-xC

Dimensions in mm

