

## KLDHCX Series

*High Current PCB Mount DC Locking Type Power Jack*

### Features

- 2.0mm and 2.5mm
- Built in DC On/Off Switch
- To Be Used with Locking/Non-locking Tuning Fork Style Plug
- Laptop and Palm Computers, Portable Modems, Radar Detectors, and Other Portable Device Applications

### Performance Specifications

#### Materials and Finish

**Plastic Housing:** PBT Thermoplastic, UL 94V-0 Rated, Color Black

**Center Pin:** Brass, Nickel Plated

**Contact #1:** Brass, Tin Plated

**Contact #2:** Phosphor Bronze, Tin Plated

**Contact #3:** Brass, Tin Plated

#### Electrical Characteristics

**Rated Current:** 5A

**Rated Voltage:** 24V RMS

**Insulation Resistance:** 50 Megohms Min. at 100 or 200V DC for 1 Minute

**Contact Resistance:** 30 milliohms Max.

**Dielectric Withstanding Voltage:** 250V AC Min. for 1 Minute

#### Mechanical Characteristics

**Durability Test:** 5000 Cycles

**Insertion Force:** 3.0kg Max.

**Extraction Force:** 0.3kg Min.

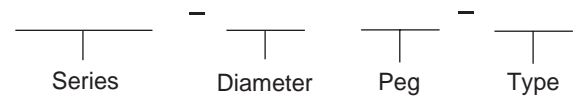
## DC POWER CONNECTORS

### KLDHCX Series

#### Documentation & Ordering Information


Kycon Part #

#### Part Number Builder



#### Series

KLDHCX-0202 - High Current PCB Mount DC Power Jack

#### Diameter

A - 2.0mm Center Pin Diameter

B - 2.5mm Center Pin Diameter

#### Peg

Blank - without Peg

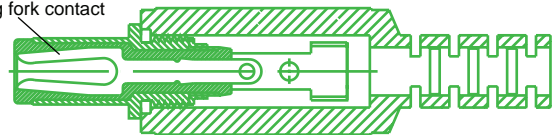
P - with Peg

**Recommended to be used with Kycon locking plug (tuning fork design):**

**KLDX-PA-0202-A-LT, KLDX-PA-0202-B-LT**

**If used with non-locking plug, tuning fork design is required. See picture.**

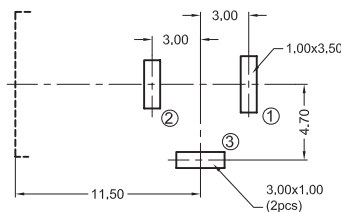
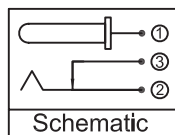
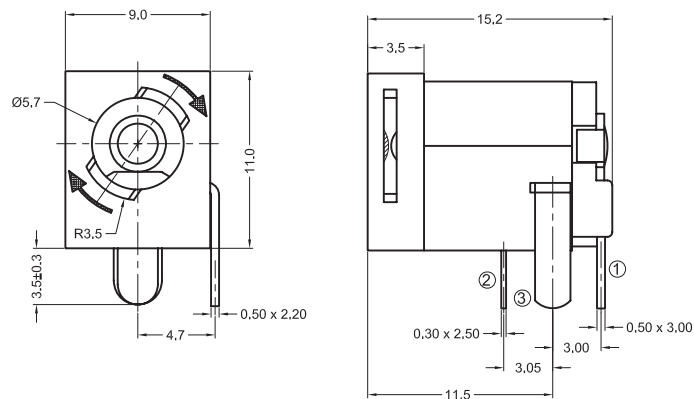
Tuning fork contact



**\*See next page for dimensions**

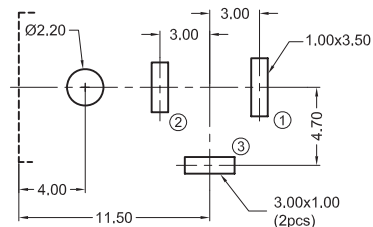
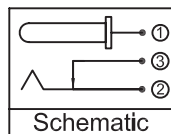
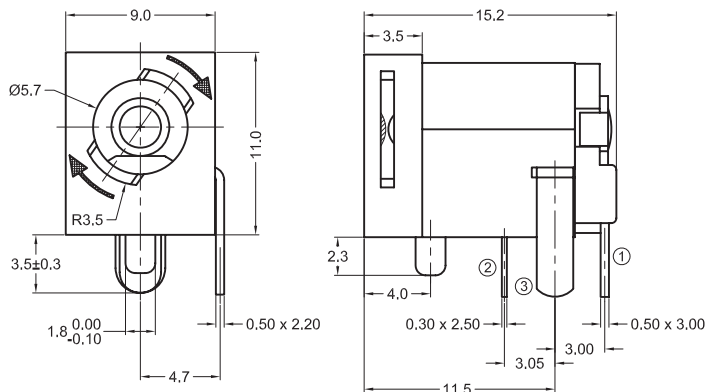
KLDHCX Series Dimensions

KLDHCX-0202-x-LT



Recommended PCB Layout

KLDHCX-0202-xP-LT



Recommended PCB Layout