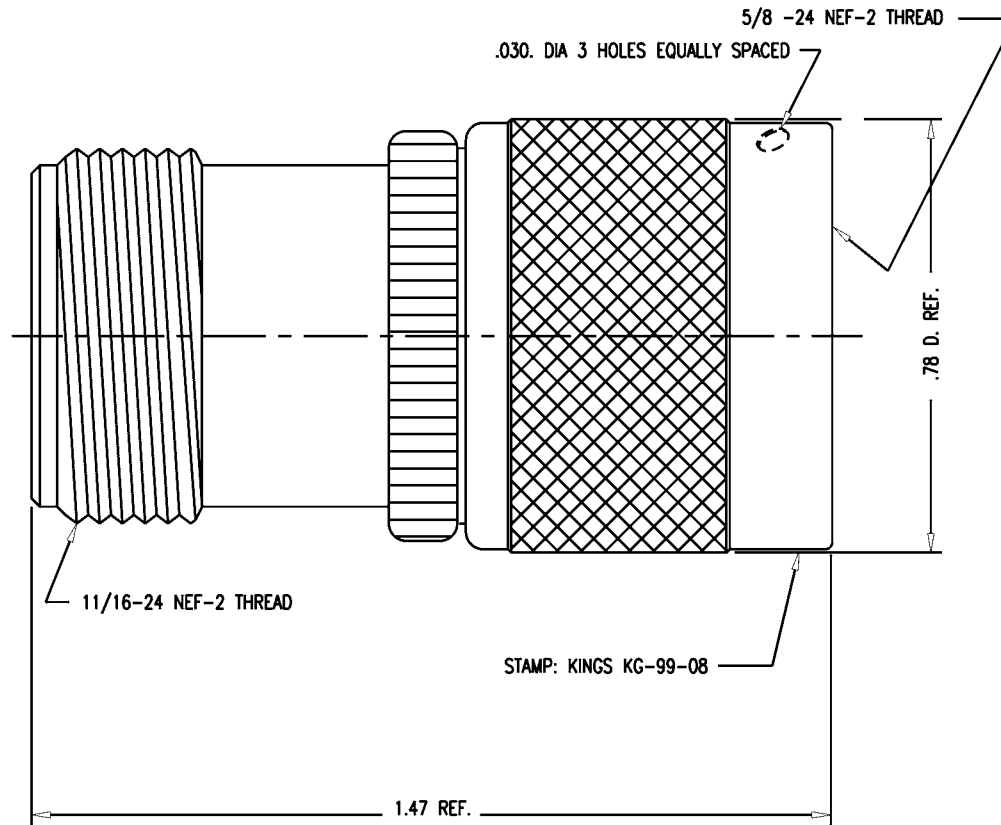


SD



NOTES:

1. MARK PACKAGE: KINGS KG-99-08  
YRWK (DATE CODE)
2. MATERIALS:  
INSULATOR-TEFLON, ASTM-D-1457  
CENTER CONTACT-BER. COP., ASTM-B-196  
ALL OTHER METAL PARTS-BRASS, ASTM-B16
3. FINISHES:  
CENTER CONTACT-SILVER PLATE PER QQ-S-365  
ALL OTHER METAL PARTS-KINGS TARNISH RESISTANT FINISH (TR-5)
4. ELECTRICAL CHARACTERISTICS:  
NOMINAL IMPEDANCE-50 OHMS  
FREQUENCY RANGE-DC TO 11 GHZ  
WORKING VOLTAGE-1000 VRMS

80-99-08

REVISIONS	
ISSUE	CHANGES
1	CN 28404 C CT 10/13/86
2	CN 37583 C REDRAWN MK 03/02/99
SCALE 4:1	
APPROX SURFACE AREA	
USED ON	
REF:	
SC(F) - N(M) ADAPTER	
DRAWN MAC	DATE 05/10/61
DESIGN RW	DATE 05/10/61
APPR.	DATE
 ELECTRONICS CO., INC. TUCKAHOE, NEW YORK 10707	
KG-99-08	

SD