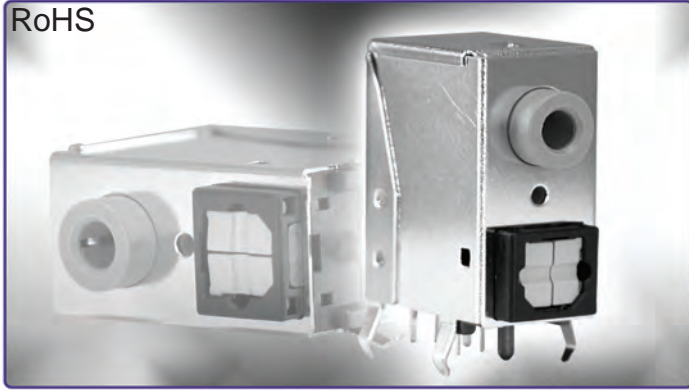


OPTICAL JACK

KFO42X Series

RoHS



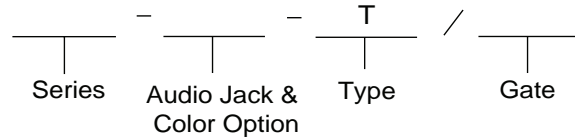
KFO42X Series
Stacked 3.5mm Audio Jack over Optical

Documentation & Ordering Information

| | | |
|--|--|--|
| | | |
| | | |

Kycon Part #

Part Number Builder



Series

KFO42X - Stacked Optical Audio Jack

Audio Jack

35 - 3.5 Audio Jack

PC 99 Color Option (Audio Jack)

BL - Blue

BK - Black

GR - Green

Type

T - Transmitter (Lime Green)

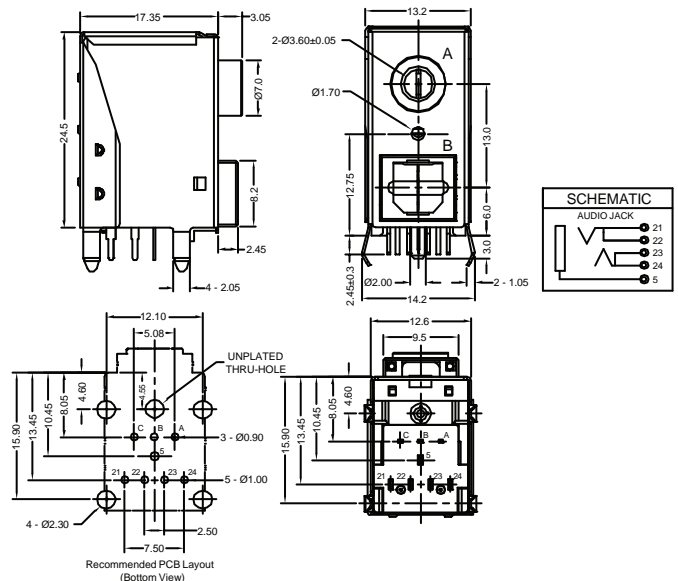
R - Receiver (Pink)

Gate

G2 - Split Gate

Contact Kycon for Other Options, Minimum Order May Apply

KFO42X-35XX-T/G2 Series Dimensions
Dimensions in mm



Features



- Stacked Options Save Board Space and Improves Assembling Efficiency
- Optical Split Gate Version
- Available as Either a Transmitter or Receiver
- Conforms to JEITA Standard EIAJ RC - 5720
- CSA/NRTL Certified File No. LR78160

Performance Specifications

Material and Finish

Housing: Thermoplastic, 30% Glass Filled, UL 94V-0 Rated

Gate: PA66

Contact: Phosphor Bronze, Gold Flash on Contact End

Pins: Copper Alloy, Tin Plated

Front Shield: Copper Alloy, Tin Plated

Back Shield: Copper Alloy, Nickel Plated

Electrical Characteristics

(Audio Jack)

Contact Resistance:

Before Test: 50 milliohms Max.

After Durability Test: 100 milliohms Max.

Insulation Resistance: More than 100 Megohms at 500V DC

Dielectric Strength: 500V AC RMS For 1 Minute

Operating Temperature: -25°C to +70°C

Voltage Rating: 16V DC

Current Rating: 0.3A

Mechanical Characteristics

Insertion Force: Audio Jack: 0.4 - 3.0 kg
Optical Jack: 3.5 kg Max.

Extraction Force: Audio Jack: 0.4 - 3.0 kg
Optical Jack: 0.4 kg Min.

Durability: 5000 Mating Cycles