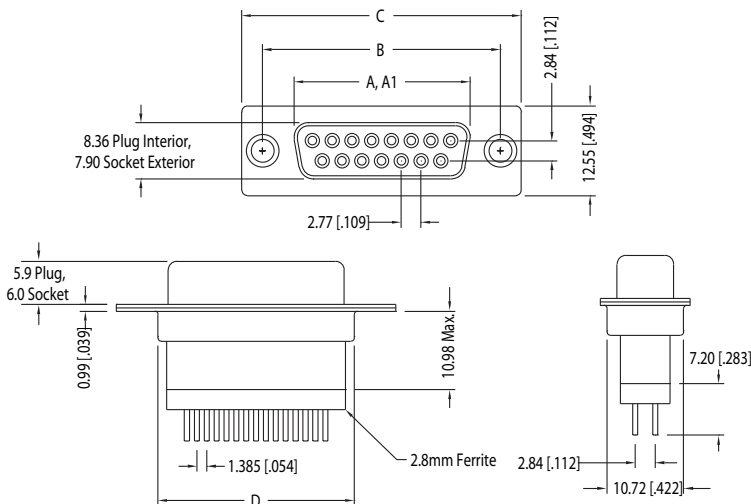


KF88X Series Vertical PCB Mount High Profile with Ferrite High Frequency EMI/RFI Suppression

Dimensions



Number of Contacts (Shell Size)	Dimensions (Inch/mm)				
	A	A1	B	C	D
9 (E)	.643 16.33	.666 16.92	.984 24.99	1.213 30.81	.755 19.18
15 (A)	.971 24.66	.994 25.25	1.312 33.32	1.541 39.14	1.083 27.51
25 (B)	1.511 38.38	1.534 38.96	1.852 47.04	2.088 53.04	1.614 41.00
37 (C)	2.159 54.84	2.182 55.42	2.500 63.50	2.729 69.32	2.272 57.71

Ferrite Specifications

Test Frequency	Edge Hole	Inner Hole
30 Mhz	17-27 Ohms	22-30 Ohms
50 Mhz	22-30 Ohms	29-37 Ohms
100 Mhz	29-34 Ohms	35-40 Ohms

A = Exterior of Female Shell (S) A1 = Interior of Male Shell (P)

FERRITE D-SUBMINIATURE

KF88X Series

Documentation & Ordering Information

Kycon Part #

Part Number Builder

KF88X	- B	F	- 25	S	- BRBJ	30
Series	Shell Type	Pin Length	Contact Option	Contact Type	Mounting Option	Plating Option

Series

KF88X - D-Subminiature Connector Vertical PCB Termination, High Profile with Ferrite

Contact Shell Size Option

- E - 9 Contacts
- A - 15 Contacts
- B - 25 Contacts
- C - 37 Contacts

Contact Construction

- C - Precision Machined
- D - Precision Formed

Contact Option

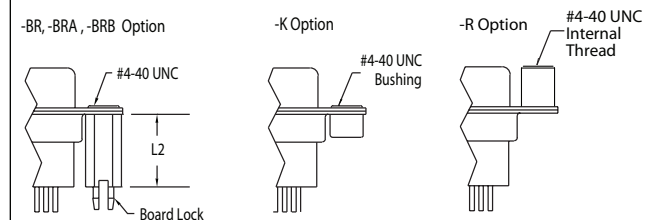
- 9, 15, 25, 37

Contact Type

- P - Pin Contact (Plug)
- S - Socket Contact (Receptacle)

Mounting Option

- Blank - Without Riveted Option
- K - with (4-40) Bushings
- KJ - with (4-40) Bushings and (4-40) Hex Jack Screws
- BR - with (4-40) Tin Plated 11.00mm long Boardlocks and (4-40) Hex Jack Screws
- R - with Round Riveted Jack Screws



Plating Option

- Blank - Gold Flash
- 15 - 15µ" Gold
- 30 - 30µ" Gold