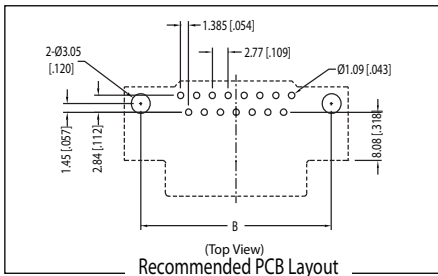
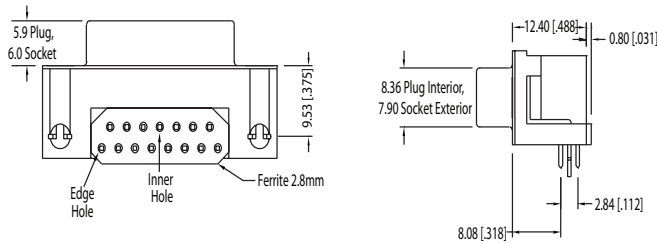
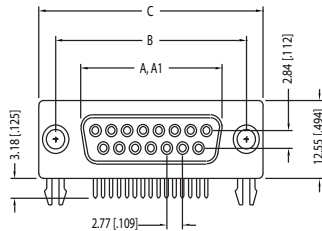




## KF22X Series Right Angle PCB Mount .318" Footprint with Ferrite

Pictured with Board Lock Option, Dimensions in mm [In]



Shell Size	In mm			
	A	A1	B	C
9 (E)	±.010 ±.025	±.010 ±.025	±.005 ±.013	±.015 ±.038
9 (E)	.643	.666	.984	1.213
15 (A)	16.33	16.92	24.99	30.81
15 (A)	.971	.994	1.312	1.541
25 (B)	24.66	25.25	33.32	39.14
25 (B)	1.511	1.534	1.852	2.088
30 (C)	38.38	38.96	47.04	53.04
37 (C)	2.159	2.182	2.500	2.729
37 (C)	54.84	55.42	63.50	69.32

A = Exterior of Female Shell (S) A1 = Interior of Male Shell (P)

# FERRITE D-SUBMINIATURE

## KF22X Series

### Documentation & Ordering Information


### Kycon Part #

### Part Number Builder

KF22X	-	B	S	-	
Series	Shell Size	Contact Type	PCB Mounting Options	Front Panel Mounting Options	Plating Option

#### Series

KF22X - D-Subminiature Connector, .318" Footprint with Ferrite

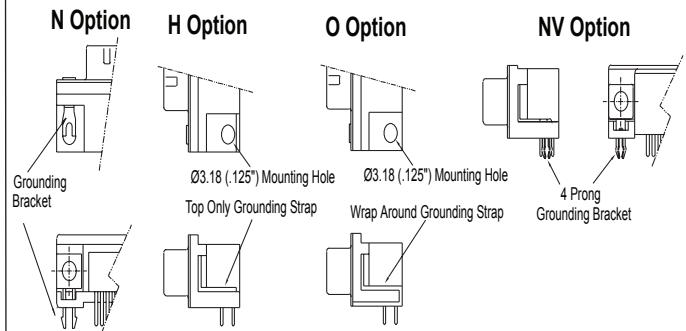
#### Shell Size-Contact Option

- E - 9 Contacts
- A - 15 Contacts
- B - 25 Contacts
- C - 37 Contacts

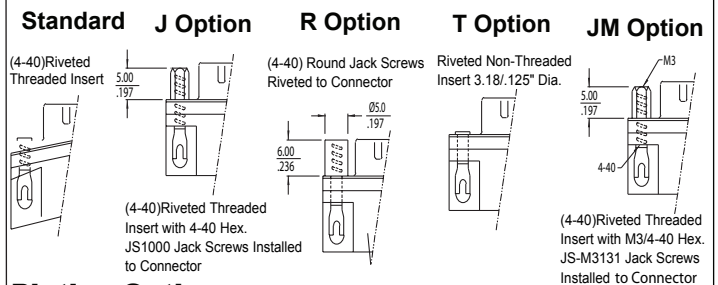
#### Contact Type

- P - Pin Contact (Plug)
- S - Socket Contact (Receptacle)

#### PC Board Mounting Option



#### Front Panel Mounting Option



#### Plating Option

- Blank - Gold Flash
- 15 - 15µ" Gold
- 30 - 30µ" Gold

Contact Kycon for other Options