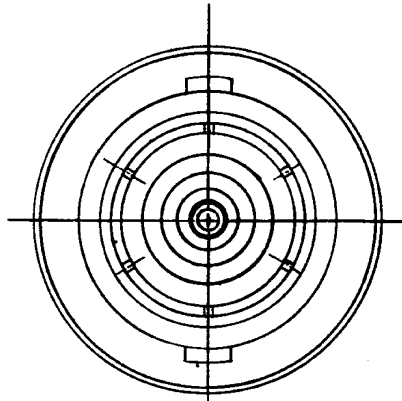
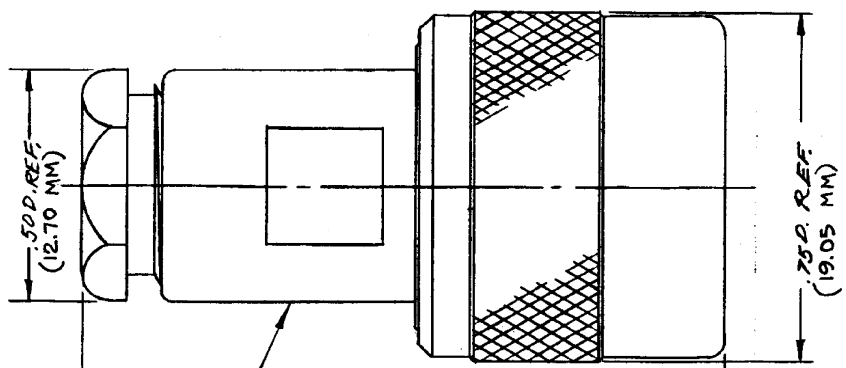


S-D

M39012/15-0002

S-D



STAMP:
91836 M39012/15-0002, KD-59-130 XXXX

.134 REF.
(34.03 MM)

DATE CODE

NOTES:
FOR USE WITH RG 55, 58 & 223/U CABLE GROUPS.

REVISIONS	
ISSUE	CHANGES
3	CN 23168 E GJG 25 MAR 82
4	CN 32256 A LNM 5 JUN 90
5	CN 38757 E BDH 22 JAN 03

KD-59-130	
REF SUPERSEDES UG 709 B/U	
FINISH	
SPEC.	
MATL.	
SPEC.	
C PLUG	
DRAWN CRG	DATE 13 APR 70
APPR.	DATE
KINGS ELECTRONICS 40 MARBLEDALE ROAD TUCKAHOE, N. Y. 10707	
M39012/15-0002	

UNLESS OTHERWISE SPECIFIED:

1. TOLERANCES: FRACTIONS & 2 PLACE DECIMALS ± .010
3 PLACE DECIMALS ± .004 ANGLES ± 0° 30'
2. REMOVE ALL BURRS, BREAK SHARP EDGES .005 MAX.
3. NO FILLETS PERMITTED.
4. SURFACE ROUGHNESS 63 MICROINCHES RMS MAX.
5. ALL DIMENSIONS PRIOR TO PLATING.

ITEM	REQ'D	DESCRIPTION	DRAWING NO.

S-D