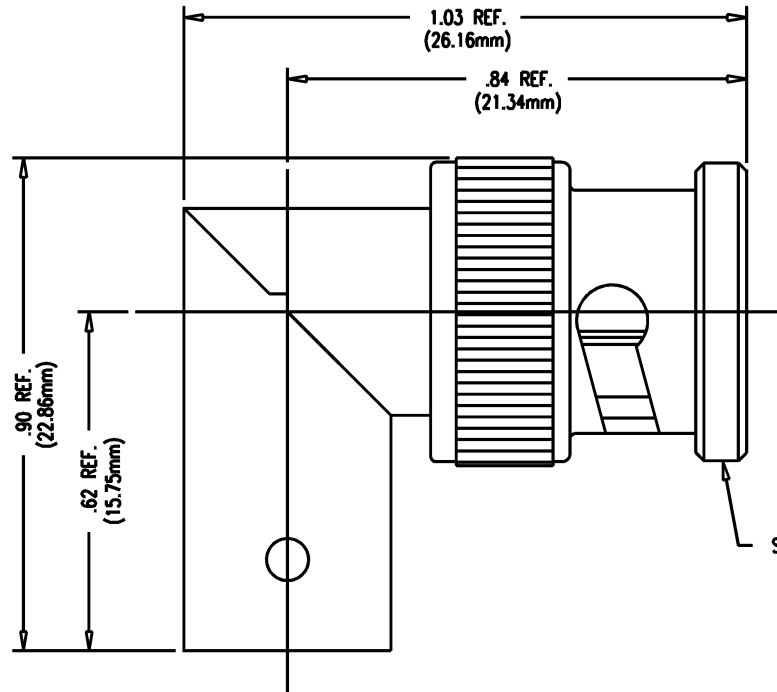
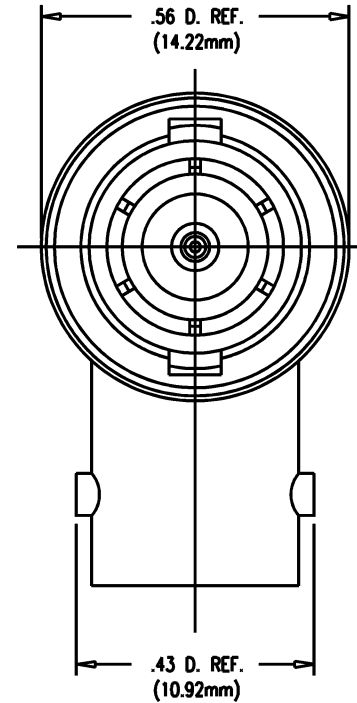


SD

KC-99-35



STAMP: KINGS KC-99-35
YRWK (DATE CODE)



NOTES:

1. INTERFACE PER MIL-STD-348, FIG. 310-1 & 310-2.
2. MATERIALS:
 - INSULATORS-TEFLON, ASTM-D-1457
 - GASKET-SILICONE RUBBER, ZZ-R-765
 - OUTER CONTACT } BER. COP., ASTM-B-196
 - CENTER CONTACT }
 - SPRING WASHER }
 - ALL OTHER METAL PARTS-BRASS, ASTM-B16
3. FINISHES:
 - CENTER CONTACTS } SILVER PLATE PER QQ-S-365
 - OUTER CONTACT }
 - SPRING WASHER }
 - ALL OTHER METAL PARTS-KINGS TARNISH RESISTANT FINISH (TR-5)
4. ELECTRICAL CHARACTERISTICS:
 - NOMINAL IMPEDANCE-50 OHMS
 - FREQUENCY RANGE-DC TO 4 GHz.
 - WORKING VOLTAGE-500 VRMS

REVISIONS

ISSUE	CHANGES
8	CN 37594 C REDRAWN TML 02/23/00

KC9935S

SCALE 4:1

APPROX SURFACE AREA

USED ON

REF:

ADAPTER, M-F, ANG, BNC

DRAWN	CHC	DATE	04/09/79
DESIGN		DATE	
APPR.	MJB	DATE	04/09/79

KINGS
ELECTRONICS CO., INC.
ROCK HILL, SOUTH CAROLINA 29730

KC-99-35

SD