

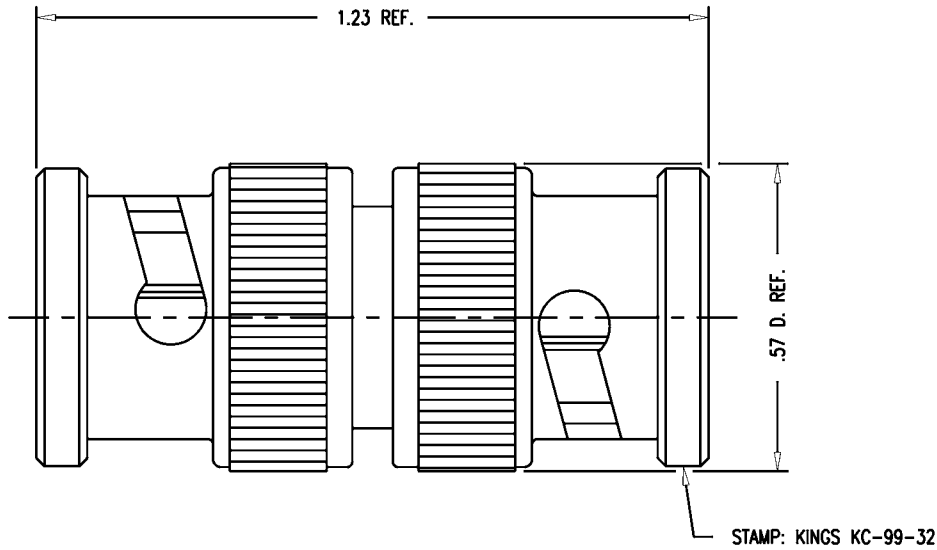
DASH NO.	M CODE	MADE FROM
----------	--------	-----------

GSD

KC-99-32

REVISIONS

ISSUE	CHANGES
6	CN 32500 C REDRAWN WJM 12/03/90
7	CN 33888 C KH 06/09/92



NOTES:

- INTERFACE PER MIL-STD-348, FIG. 301-1.
- MATERIALS:
 - GASKETS: SILICONE RUBBER, ZZ-R-765
 - INSULATOR: TEFLON, ASTM-D-1457
 - OUTER CONTACTS } BER. COPPER, ASTM-B-196
 - SPRING WASHERS }
 - ALL OTHER METAL PARTS: BRASS, ASTM-B16
- FINISHES:
 - SPRING WASHERS } SILVER PLATE, QQ-S-365
 - CENTER CONTACT }
 - ALL OTHER METAL PARTS: KINGS TARNISH RESISTANT FINISH (TR-5).
- ELECTRICAL CHARACTERISTICS:
 - NOMINAL IMPEDANCE: 50 OHMS
 - FREQUENCY RANGE: DC TO 4 GHz.
 - WORKING VOLTAGE: 500 VRMS

WJM0628

SCALE 4:1

APPROX SURFACE AREA

USED ON

REF:

ADAPTER, M-M, BNC-BNC

DRAWN WJM DATE 12/03/90

DESIGN LJ DATE 01/17/91

APPR. DATE

KINGS
ELECTRONICS CO., INC.
TUCKAHOE, NEW YORK 10707

GSD

KC-99-32