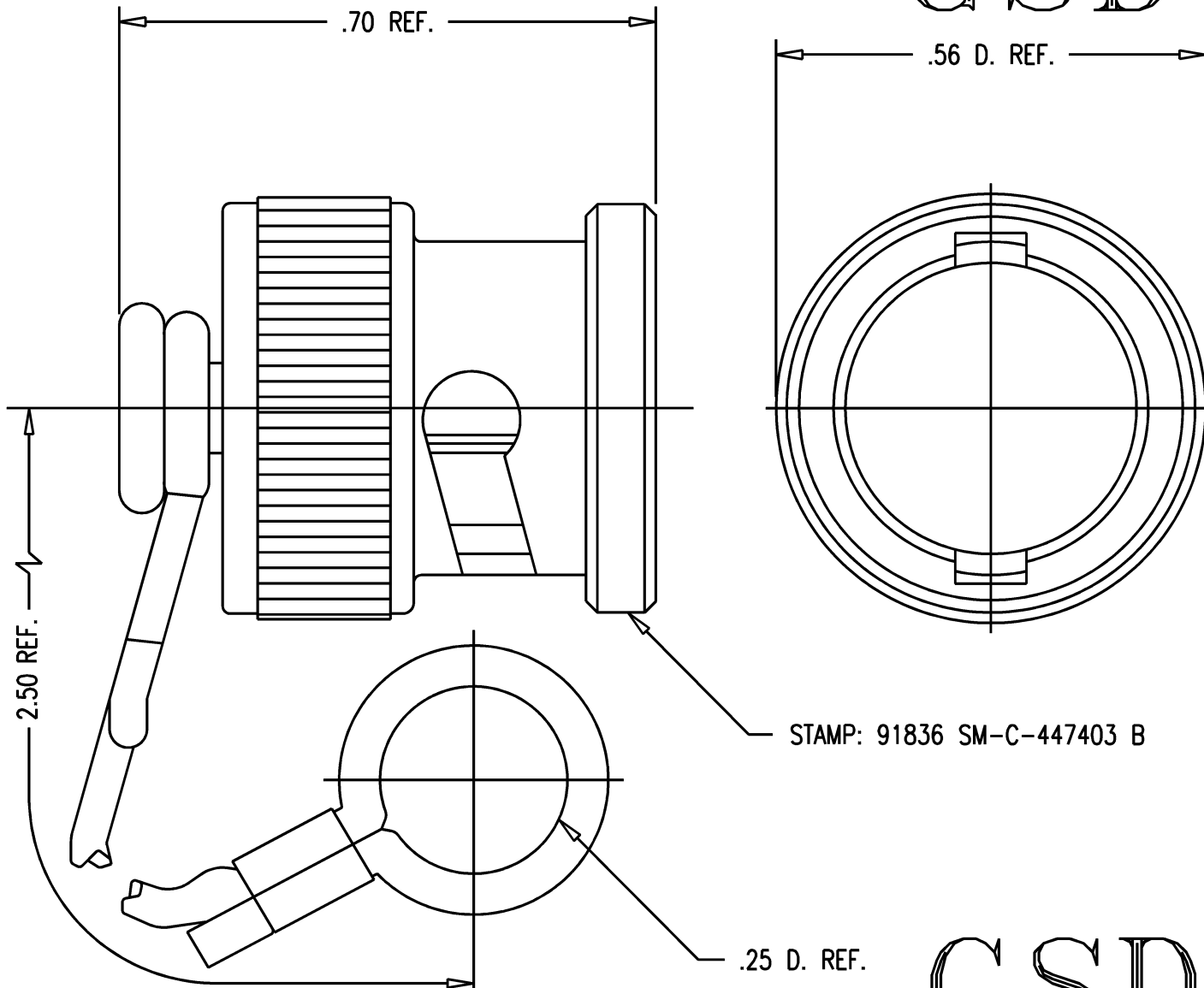


GSD



GSD

- NOTES:**
- MARK PACKAGE: KINGS KC-89-39
XX XX (DATE CODE)
91836 SM-C-447403 B
 - MATERIALS:
PAD: SILICONE RUBBER, ZZ-R-765, OLIVE GREEN.
CORD: CORELESS NYLON CORD PER MIL-C-7515
CLIP: STAINLESS STEEL BLACKNID
ALL OTHER METAL PARTS: BRASS, ASTM-B16, H02
 - FINISHES:
CAP & BAYONET SLEEVES:
OLIVE GREEN PAINT PER TT-E-529 OVER
SILVER PLATE, QQ-S-365.
ALL OTHER METAL PARTS:
KINGS TARNISH RESISTANT NICKEL FINISH (TR-5)

KC-89-39

REVISIONS

ISSUE	CHANGES
14	CN 37170 A REDRAWN PG 11/01/96

JJS101

SCALE 4:1

APPROX SURFACE AREA

USED ON

REF: RICHMOND PRODUCTS CO. Q-10
HARRIS CORP. J96-0005-001

CAP ASS'Y, BNC, M

DRAWN PG DATE 11/01/96

DESIGN LI DATE 11/04/96

APPR. DATE

KINGS

ELECTRONICS CO., INC.
TUCKAHOE, NEW YORK 10707

KC-89-39

MAY 2007 THIS DRAWING BECAME THE PROPERTY OF PROPERTY OF WINCHESFER ELECTRONICS CORPORATION, WALLINGFORD, CT 06492