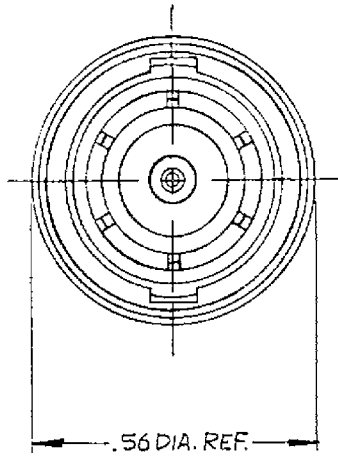
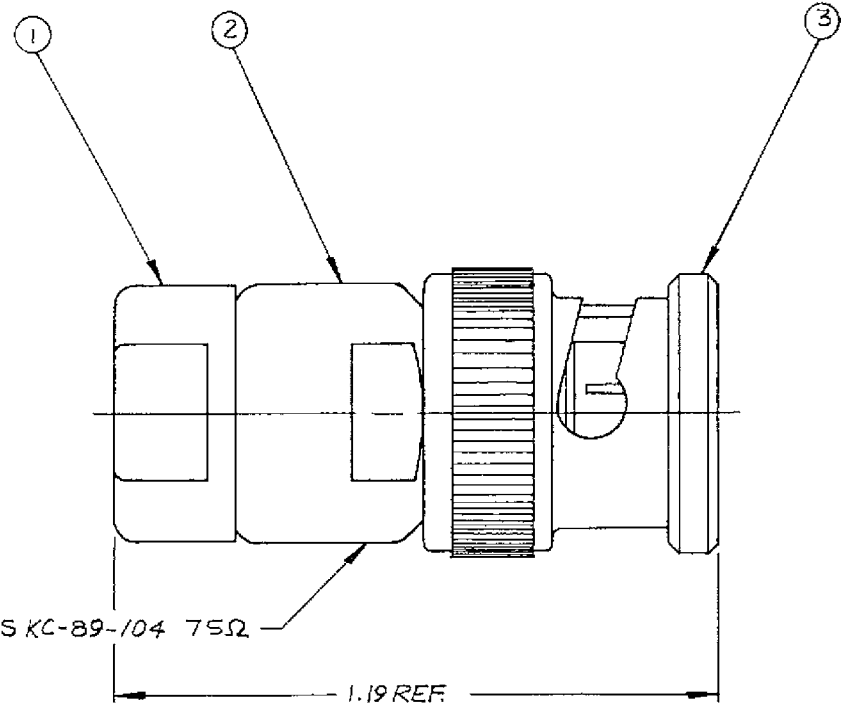


DASH NO    M CODE    MADE FROM

REVISIONS

ISSUE	CHANGES
1	CN 26872 C CT 8 FEB 85

KC-89-104



STAMP: KINGS KC-89-104 75Ω

NOTES:

1. MATERIALS:  
 INSULATOR: TEFLON, L-P-403.  
 GASKET: SILICONE RUBBER, ZZ-R-765.  
 SPRING WASHER: BERYLLIUM COPPER, QQ-C-533.  
 CAM LEVER: BRASS, QQ-B-613.  
 ALL OTHER METAL PARTS: BRASS, QQ-B-626.
2. FINISH:  
 BNC CONTACT M: } SILVER PLATE PER QQ-S-365.  
 SPRING WASHER: }  
 ALL OTHER METAL PARTS: KINGS TARNISH RESISTANT FINISH (TR-5).
3. ELECTRICAL CHARACTERISTICS:  
 NOMINAL IMPEDANCE: 75Ω ± 5%.  
 POWER RATING: 1/2 WATT.

UNLESS OTHERWISE SPECIFIED:	
1 TOLERANCES FRACTIONS & 2 PLACE DECIMALS = 0.0	2 REMOVE ALL BURRS, BREAK SHARP EDGES .005 MAX.
3 PLACE DECIMALS ± .004    ANGLES ± 0°30'	3 NO FILLETS PERMITTED
T ± R CONCENTRICITY OF ANY 2 DIAMETERS MAY NOT EXCEED HALF THE SUM OF THEIR TOLERANCES	4 SURFACE ROUGHNESS 63 MICROINCHES RMS MAX.
	5 ALL DIMENSIONS PRIOR TO PLATING
	6 ALL PLATING IN ACCORDANCE WITH KER 10004

SCALE 4:1	
APPROX SURFACE AREA	
USED CN	
REF	
BNC TERMINATION 75Ω 5% 1/2 W	
DRAWN JCA	DATE 20 APR 88
APPR MJB	DATE 22 APR 85
APPR	DATE



KC-89-104

GSD