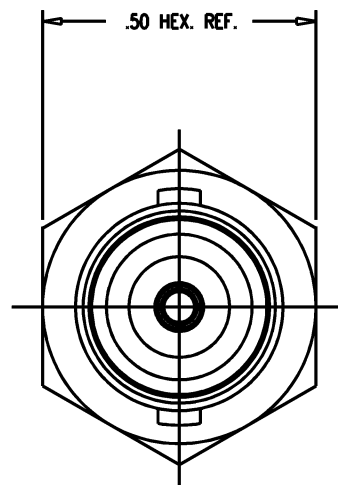
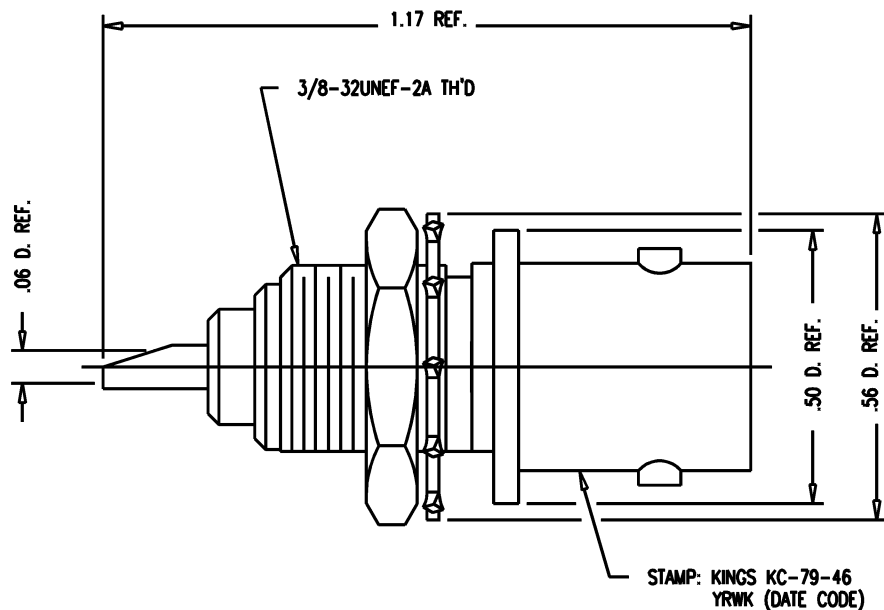


GSD

KC-79-46

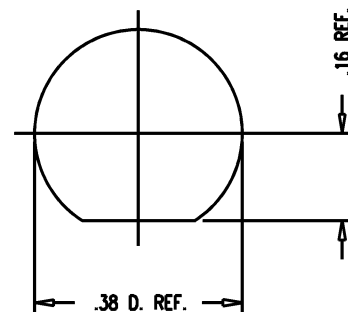
REVISIONS

ISSUE	CHANGES
4	CN 38074 E REDRAWN TML 09/22/00



NOTES:

1. INTERFACE PER MIL-STD-348, FIG. 301-2.
2. MATERIALS:
INSULATOR: TEFLON, ASTM-D-1457
LOCKWASHER: PHOSPHOR BRONZE, QQ-B-750
CENTER CONTACT: BER. COPPER, ASTM-B-196
ALL OTHER METAL PARTS: BRASS, ASTM-B16
3. FINISHES:
CENTER CONTACT: SILVER PLATE, PER QQ-S-365
ALL OTHER METAL PARTS: KINGS TARNISH RESISTANT FINISH (TR-5)
4. ELECTRICAL CHARACTERISTICS:
NOMINAL IMPEDANCE: 50 OHMS
WORKING VOLTAGE: 500 VRMS
FREQUENCY RANGE: DC TO 4 GHz.



MOUNTING HOLE

GSD

KC-79-46S

SCALE 4:1

APPROX SURFACE AREA

USED ON

REF:

RECEPTACLE, BULKHEAD, BNC

DRAWN	A.T.	DATE	08/09/65
-------	------	------	----------

DESIGN		DATE	
--------	--	------	--

APPR.	SM	DATE	08/09/65
-------	----	------	----------

KINGS
ELECTRONICS CO., INC.
ROCK HILL, SOUTH CAROLINA 29730

KC-79-46