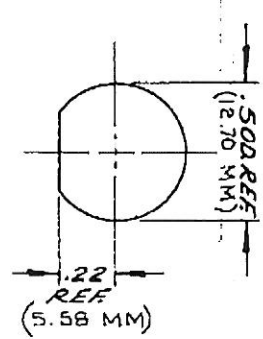
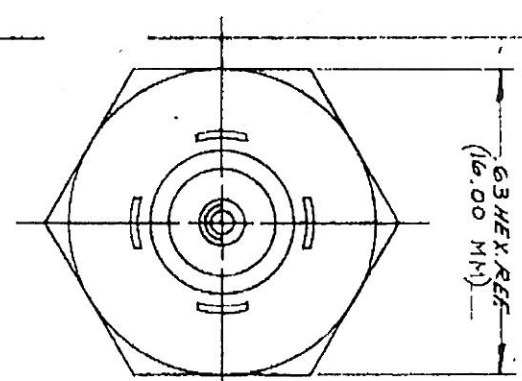
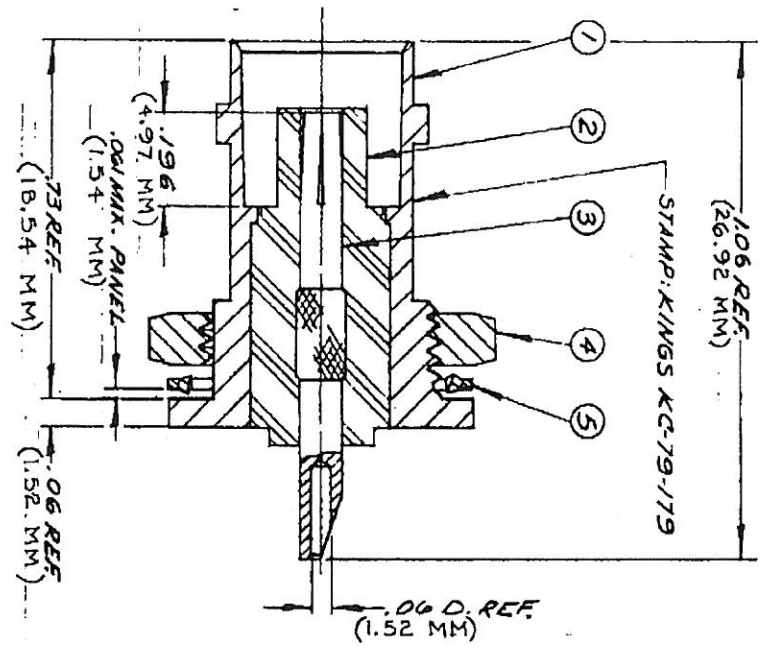


DASH NO. M CODE MADE FROM



UNLESS OTHERWISE SPECIFIED:  
 1 TOLERANCES FRACTIONS & 2 PLACE DECIMALS ± .010  
 3 PLACE DECIMALS ± .004  
 ANGLES ± 0°30'  
 T. I. R. CONCENTRICITY OF ANY 2 DIAMETERS MAY NOT EXCEED HALF THE SUM OF THEIR TOLERANCES  
 2 REMOVE ALL BURRS, BREAK SHARP EDGES .005 MAX  
 3 NO FILLETS PERMITTED.  
 4 SURFACE ROUGHNESS 63 MICROINCHES RMS MAX.  
 5 ALL DIMENSIONS PRIOR TO PLATING.  
 6 ALL PLATING IN ACCORDANCE WITH KER 10004.

(SMT 1 OF 2)

**S-D**

| REV | REVISIONS                             |
|-----|---------------------------------------|
| 2   | CN/9855C<br>M.A. 19 JAN 80<br>REDRAWN |
| 3   | CN 21964C<br>GJG 18 MAY 81            |
| 4   | CN 22827C<br>MD 7 DEC 81              |

SCALE 4:1

UNLESS OTHERWISE SPECIFIED

REV

**BNG BULKHEAD RECEPTACLE**

DATE 6 DEC 79

DATE 13 DEC 79

**WINCHESTER ELECTRONICS CORP.**

**KC-79-179**

(SMT 1 OF 2)

