

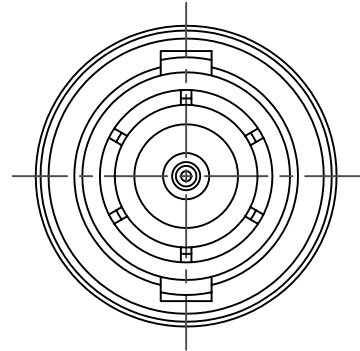
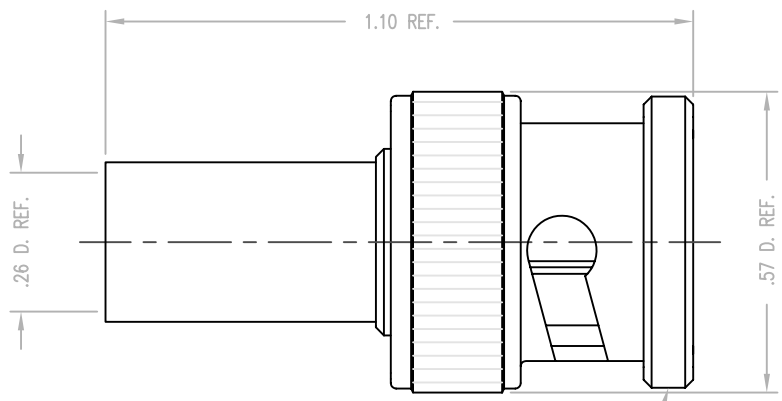
| | | |
|----------|--------|-----------|
| DASH NO. | M CODE | MADE FROM |
|----------|--------|-----------|

GSD

KC-59-482

REVISIONS

| ISSUE | CHANGES |
|-------|----------------------------|
| 3 | CN 23087 D MD 23 FEB 82 |
| 4 | CN 37034 D JJS 06/28/96 |



STAMP: KINGS KC-59-482

NOTES:

- FOR USE WITH BELDEN 9259 CABLE
- FOR CABLE TRIMMING USE KTJ-57 & KTD-26.
- FOR CRIMPING USE DIE SIZE 02.
- FOR CABLING INSTRUCTIONS SEE CP-401.
- MATERIAL:
 - INSULATOR- TEFLON, L-P-403
 - GASKET- SILICONE RUBBER, ZZ-R-765
 - K-GRIP SLEEVE- HARD DRAWN COMMERCIAL BRONZE, ALLOY 220
 - OUTER CONTACT- BERYLLIUM COPPER, QQ-C-530
 - ALL OTHER METAL PARTS- BRASS, QQ-B-626
- FINISHES:
 - CENTER CONTACT } SILVER PLT. PER QQ-S-365
 - SPRING WASHER }
 - ALL OTHER METAL PARTS- KINGS TARNISH RESISTANT FINISH (TR-5)
- ELECTRICAL CHARACTERISTICS:
 - NOMINAL IMPEDANCE- 50 OHMS
 - FREQUENCY RANGE- DC TO 4 GHz
 - WORKING VOLTAGE- 500 RMS

SCALE 4:1

APPROX SURFACE AREA

USED ON

REF:

BNC PLUG

| | |
|------------|---------------|
| DRAWN JCA | DATE 06/28/96 |
| DESIGN MJB | DATE 06/28/96 |
| APPR. | DATE |

GSD

KINGS
ELECTRONICS CO., INC.
TUCKAHOE, NEW YORK 10707

KC-59-482