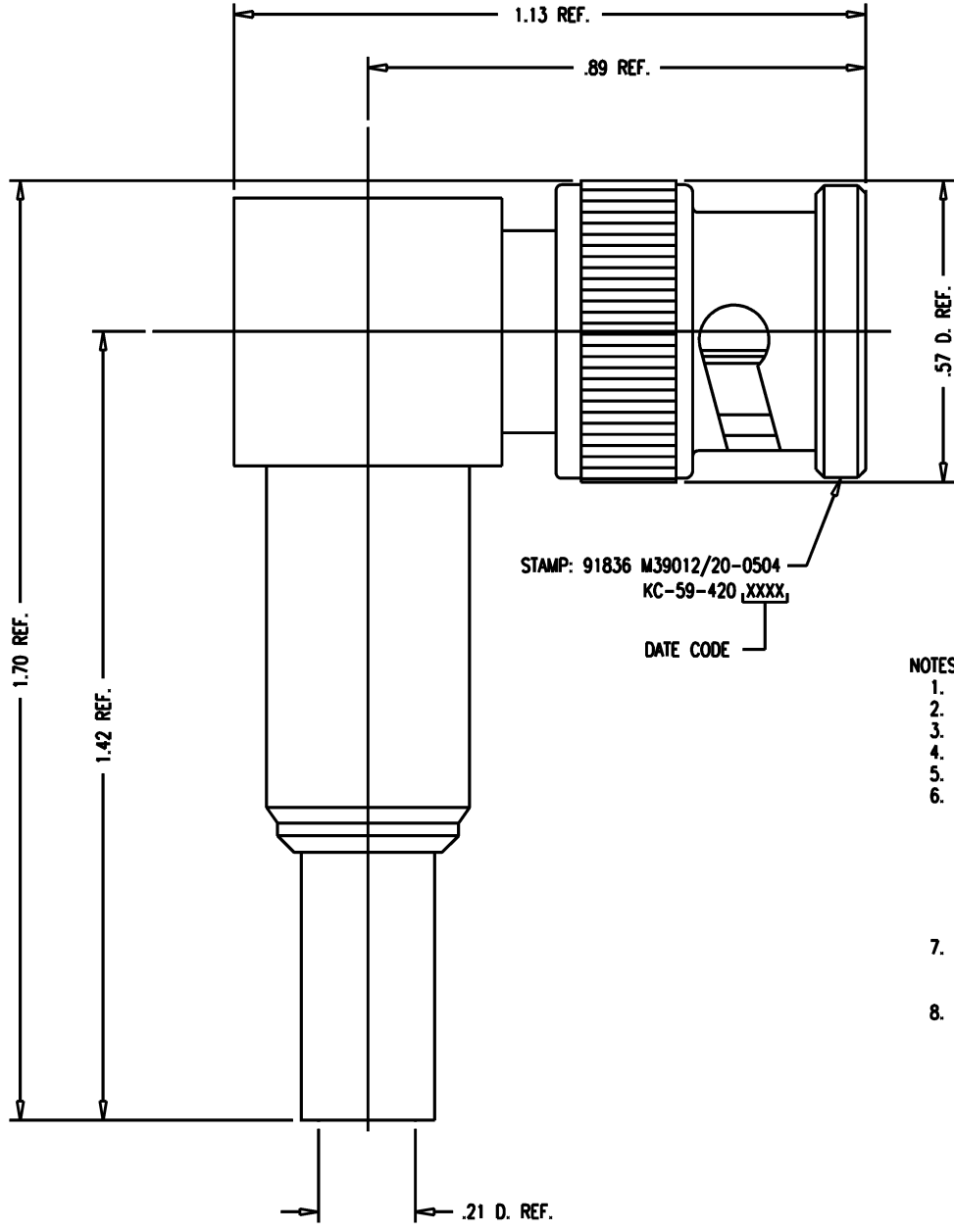


GSD



NOTES:

1. FOR USE WITH RG-58, 141 & 303/U CABLE.
2. FOR CABLING INSTRUCTIONS SEE CP-465.
3. FOR CABLE TRIMMING USE KTJ-123 & KTD-166.
4. FOR CRIMPING USE DIE KTH-2001.
5. INTERFACE PER MIL-STD-348, 301-1.
6. MATERIALS:
 INSULATORS: TEFLON, ASTM-D-1457
 GASKET: SILICONE RUBBER, ZZ-R-765
 K-GRIP SLEEVE: COM BRONZE, ALLOY 220
 OUTER CONTACT } BER. COPPER, ASTM-B-196
 BNC C/C CONTACT F }
 ALL OTHER METAL PARTS: BRASS, ASTM-B16
7. FINISHES:
 CENTER CONTACTS: HARD GOLD PLATE, PER MIL-G-45204
 ALL OTHER METAL PARTS: SILVER PLATE, QQ-S-365
8. ELECTRICAL CHARACTERISTICS:
 NOMINAL IMPEDANCE: 50 OHMS
 WORKING VOLTAGE: 500 VRMS
 FREQUENCY RANGE: DC TO 4 GHz

M39012/20-0504

REVISIONS

ISSUE	CHANGES
9	CN 34481 C REDRAWN KH 04/22/93
10	CN 35064 C JCA 11/22/93
11	CN 39781 C PMC 2/5/07

KAM2728

SCALE 4:1	
APPROX SURFACE AREA	
KC-59-420	
USED ON	
REF:	
PLUG, ANGLE, BNC	
DRAWN KH	DATE 04/22/93
DESIGN MJB	DATE 04/23/93
APPR.	DATE

KINGS
ELECTRONICS CO., INC.
ROCK HILL, SOUTH CAROLINA 29730

M39012/20-0504

GSD