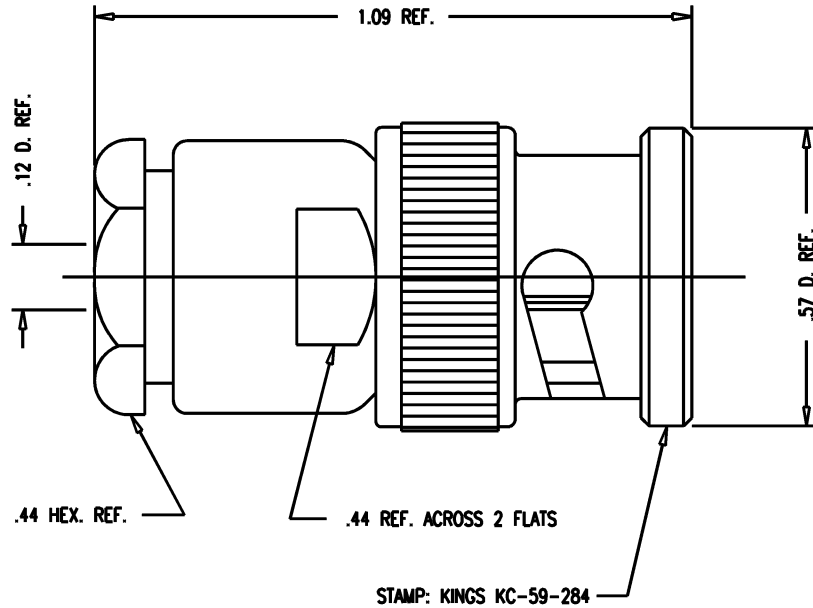


GSD

KC-59-284



NOTES:

1. FOR USE WITH RG-174, 179, 187, 188 & 316/U CABLES.
2. FOR CABLING INSTRUCTIONS SEE CP-1004.1
3. INTERFACE PER MIL-STD-348, FIG. 301-1.
4. SAME AS KC-59-89 EXCEPT FOR FINISH & MARKING.
5. MATERIALS:
 - INSULATORS: TEFLON, ASTM-D-1457
 - GASKETS: SILICONE RUBBER, ZZ-R-765
 - SPRING WASHER } BERYLLIUM COPPER, ASTM-B-196
 - OUTER CONTACT }
 - ALL OTHER METAL PARTS: BRASS, ASTM-B16
6. FINISHES:
 - CENTER CONTACT: SILVER PLATE PER QQ-S-365
 - ALL OTHER METAL PARTS: KINGS TARNISH RESISTANT FINISH (TR-5)
7. ELECTRICAL CHARACTERISTICS:
 - NOMINAL IMPEDANCE: 50 OHMS
 - FREQUENCY RANGE: DC TO 4 GHZ
 - WORKING VOLTAGE: 500 VRMS

REVISIONS

ISSUE	CHANGES
6	CN 33604 C REDRAWN JCA 12/17/91

JCA2304

SCALE 4:1

APPROX SURFACE AREA

USED ON

REF:

PLUG, BNC

DRAWN	JCA	DATE	12/17/91
DESIGN	MJB	DATE	12/18/91
APPR.		DATE	

KINGS
ELECTRONICS CO., INC.
TUCKAHOE, NEW YORK 10707

KC-59-284

GSD