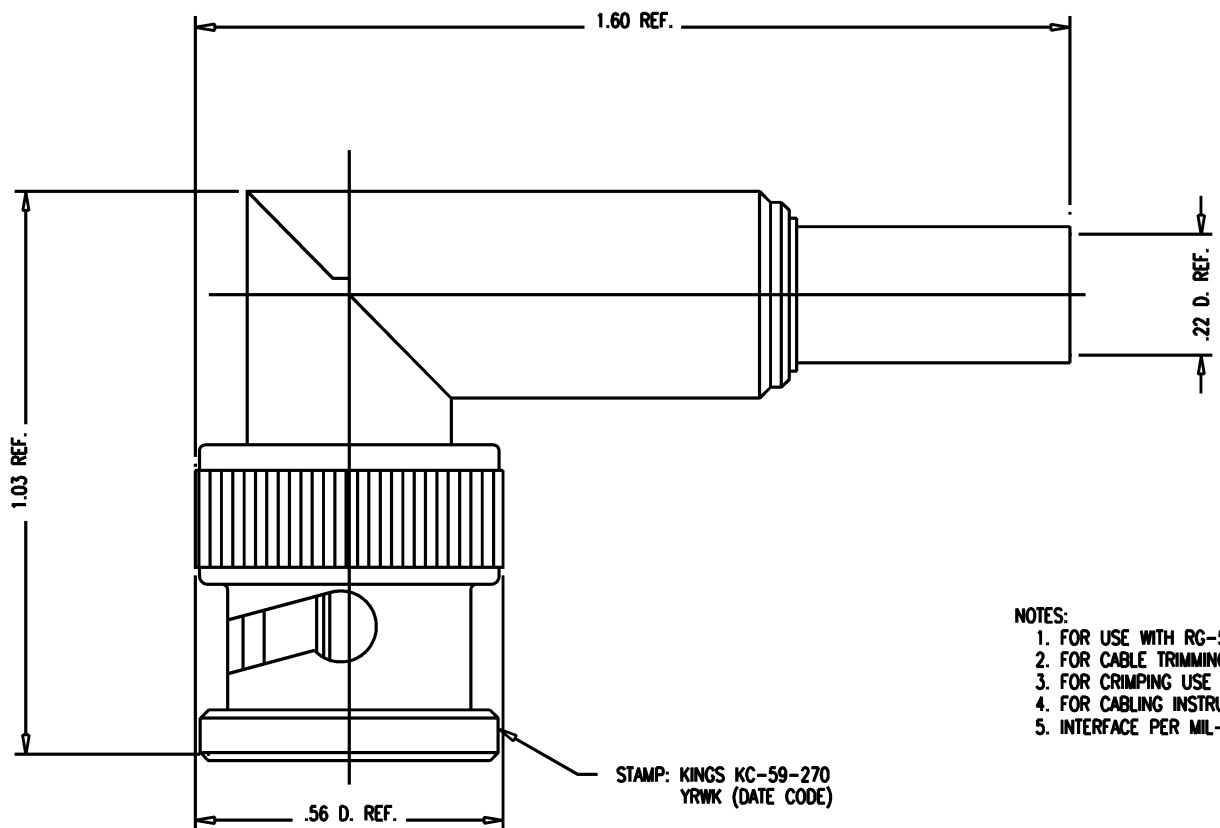


DASH NO.	M CODE	MADE FROM
----------	--------	-----------

SD

KC-59-270

REVISIONS	
ISSUE	CHANGES
7	CN 38474 E REDRAWN TML 01/21/02
8	CN 38585 C TML 06/04/02



- NOTES:
1. FOR USE WITH RG-55, 142, & 223/U CABLE GROUPS.
 2. FOR CABLE TRIMMING USE KTJ-1 & KTD-25.
 3. FOR CRIMPING USE DIE SIZE KTH-2001.
 4. FOR CABLING INSTRUCTIONS SEE CP-401.
 5. INTERFACE PER MIL-STD-348, FIG. 301-1.

KC59270S

SCALE	4:1		
APPROX SURFACE AREA			
USED ON			
REF:			
PLUG, ANG, BNC			
DRAWN	CC	DATE	08/13/71
DESIGN		DATE	
APPR.	JC	DATE	08/16/71

KINGS
ELECTRONICS CO., INC.
ROCK HILL, SOUTH CAROLINA 29730

SD

KC-59-270