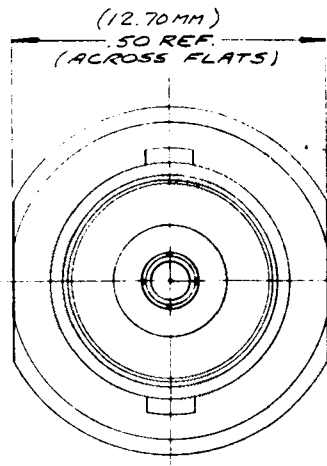
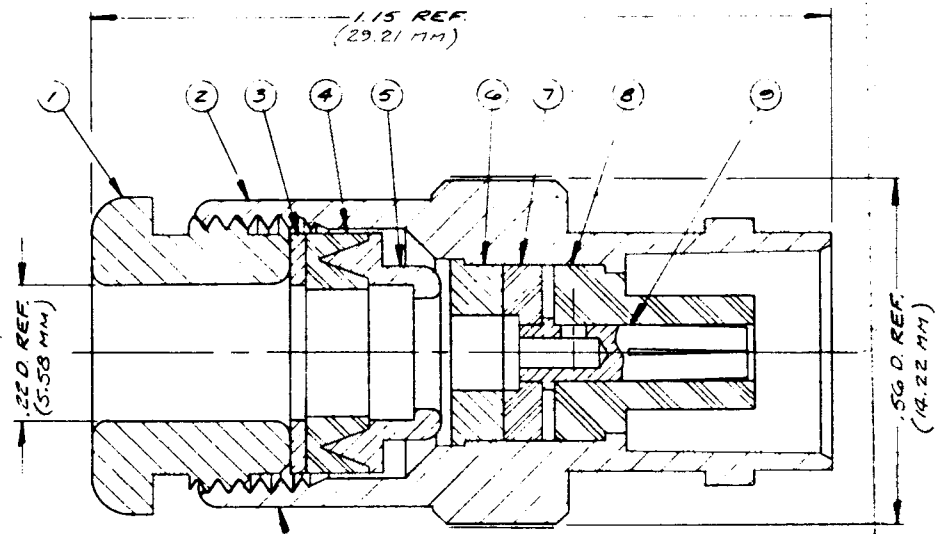


DASH NO. M CODE MADE FROM



STAMP 91836 M39012/17-0101
 KC-39-03 XXXX
 DATE CODE

NOTES:
 1. FOR USE WITH RG-58, 141, 142, 223 & 400/U CABLE.
 2. FOR CABLING INSTRUCTIONS SEE CP-1050.

UNLESS OTHERWISE SPECIFIED:

1. TOLERANCES: FRACTIONS & 2 PLACE DECIMALS ± .010
- 3 PLACE DECIMALS ± .004
- ANGLES ± 0° 30'
- T. I. R. CONCENTRICITY OF ANY 2 DIAMETERS MAY NOT EXCEED HALF THE SUM OF THEIR TOLERANCES.
2. REMOVE ALL BURRS. BREAK SHARP EDGES .005 MAX.
3. NO FILLETS PERMITTED.
4. SURFACE ROUGHNESS 63 MICROINCHES RMS MAX.
5. ALL DIMENSIONS PRIOR TO PLATING.

REVISIONS

ISSUE	CHANGES
4	CN 18666 B MJB 11 SEP 78
5	CN 23169 E GL 16 APR 82
6	CN 32278 A LNM 13 JUN 90

M39012/17-0101
(SMT 1 OF 2)
S-D

SCALE 5:1

KC-39-03

USED ON:

REF:

FINISH

SPEC. KER 10004

MATL.

SPEC.

BNC JACK

DRAWN MJB DATE 11 SEP 78

APPR *[Signature]* DATE

KINGS ELECTRONICS
 40 MARLEDALE ROAD
 TUCKAHOE, N. Y. 10707

S-D

M39012/17-0101

(SHEET 1 OF 2)