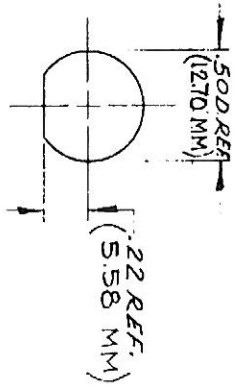
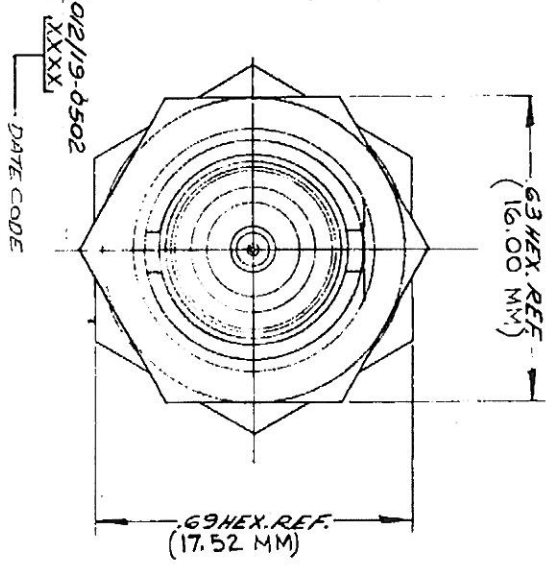


- NOTES:
1. FOR USE WITH RG 180/U CABLE.
  2. FOR CABLE TRIMMING USE KT-116 & KTD-161
  3. FOR CRIMPING USE DIE SIZE 07.
  4. FOR CABLING INSTRUCTIONS SEE CP-465.
  5. ITEM ⑧ TO BE SUPPLIED UNASSEMBLED.

UNLESS OTHERWISE SPECIFIED:

1. TOLERANCES: FRACTIONS & 2 PLACE DECIMALS ±.010
2. REMOVE ALL BURRS. BREAK SHARP EDGES .005 MAX.
3. PLUG CONCENTRICITY OF ANY 2 DIAMETERS SHALL NOT EXCEED HALF THE SUM OF THEIR TOLERANCES
4. SURFACE FINISHES: 3.2 MICRONS RMS MAX.
5. ALL DIMENSIONS PRIOR TO PLATING.



MOUNTING HOLE

M3902/19-0502 (SHEET 1 OF 2)

ISSUE	REVISIONS	CHANGES
0	ER/1951G	M.A. 18 JUL 79
1	CN 22733 C	9JG 8 JUN 81
5	CN 28237 AUG 86	CHC 18 AUG 86
6	CN 38279 A	LNH 14 JUN 90

SCALE 4:1

USED ON: KC-19-248

DATE: 18 JUL 79

APPROVED: [Signature]

DRAWN: [Signature]

DATE: 20 JUL 79

APP: [Signature]

DATE: 20 JUL 79

BY: KING ELECTRONICS

300 WALLINGFORD ROAD

WALLINGFORD, CT 06492

M3902/19-0502

(SHEET 1 OF 2)

ITEM	REQ'D	DESCRIPTION	PART NO.
1	1	K-GRIP SLEEVE	C-59-119-1-MG7
2	1	K-GRIP BODY	
3	1	GASKET	492A-10-M99
4	1	INSULATOR	
5	1	LOCKWASHER	492A-12-MG7
6	1	HEX NUT	492A-9-MG7
7	1	RETAINING RING	
8	1	BNC CRIMP CAPTIVE CONTACT	1-507-9M9D
9	1	CABLING INSTRUCTIONS	3-339-ZM88

M39012/19-0502 S-D  
(SHEET 2 OF 2)

**REVISIONS**

ISSUE	CHANGES
0	ER/95/6 M.A. 18 JUL 79
1	CN 22133C GJG 8 JUN 81
2	CN 28237C 80 GHC 18 AUG 80
3	CN 32279A LNM 14 JUN 90

USED ON: KC-19-248 **S-D**

REF:

FINISH SPEC. KER 10004

**PARTS LIST**

DRAWN G T	DATE 18 JUL
APPR.	DATE 20 JUL 79

**SEKINGS**  
ELECTRONICS CO., INC.  
TYONANNE, NEW YORK 13927

M39012/19-0502  
(SHEET 2 OF 2)