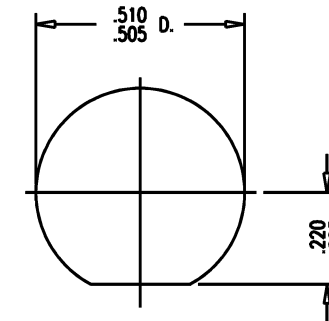
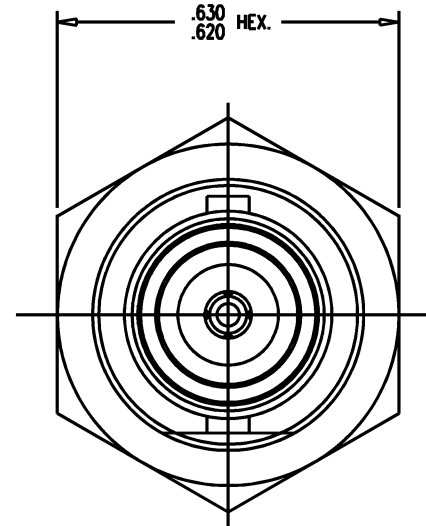
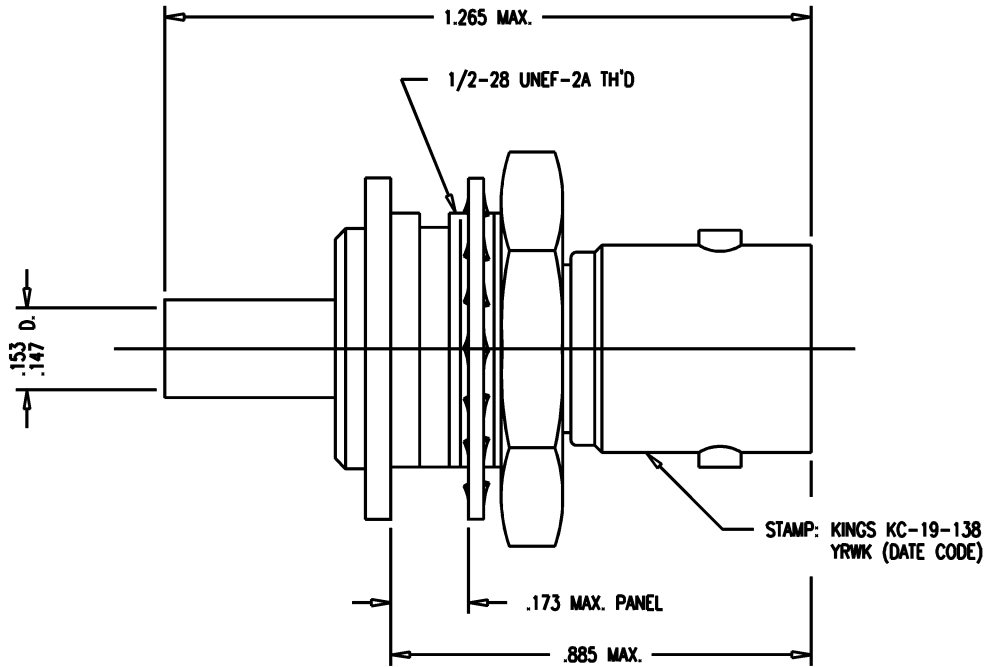


GSD



MOUNTING HOLE

GSD

KC-19-138

REVISIONS

ISSUE	CHANGES
7	CN 28714 D JCA 02 MAR 90
8	CN 38095 E TML 10/09/00
9	CN 38655 C BDH 11/15/02

WAS: JCA0373 KC19138S

SCALE 4:1	
APPROX SURFACE AREA	
USED ON	
REF:	
JACK, BULKHEAD, ISOLATED GROUND, BNC	
DRAWN JCA	DATE 03/01/90
DESIGN MJB	DATE 03/19/90
APPR.	DATE

KINGS
ELECTRONICS CO., INC.
ROCK HILL, SOUTH CAROLINA 29730

KC-19-138

NOTES:

- FOR USE WITH CABLES RG-174, 179A, 179B, 187, 187A, 188 & 188A/U.
- FOR CABLING INSTRUCTIONS SEE CP-431.
- FOR CABLE TRIMMING USE KTJ-59 & KTD-113.
- FOR CRIMPING USE DIE KTH-2032.
- MATERIALS:
INSULATORS-TEFLON, ASTM-D-1457
K-GRIP SLEEVE-COM. BRONZE TUBE, ALLOY 220
CENTER CONTACT-BER. COP., ASTM-B-196
ALL OTHER METAL PARTS-BRASS, ASTM-D16
- FINISHES:
CONTACTS-SILVER PLATE PER QQ-S-365
ALL OTHER METAL PARTS-KINGS TARNISH RESISTANT FINISH (TR-5)
- ELECTRICAL CHARACTERISTICS:
NOMINAL IMPEDANCE-50 OHMS
WORKING VOLTAGE-500 VRMS
FREQUENCY RANGE-DC TO 4 GHz