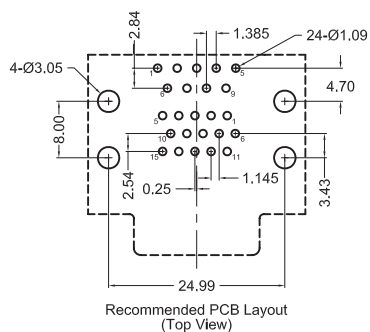
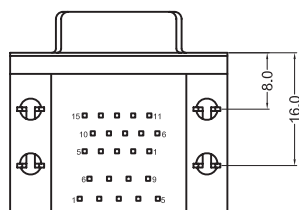
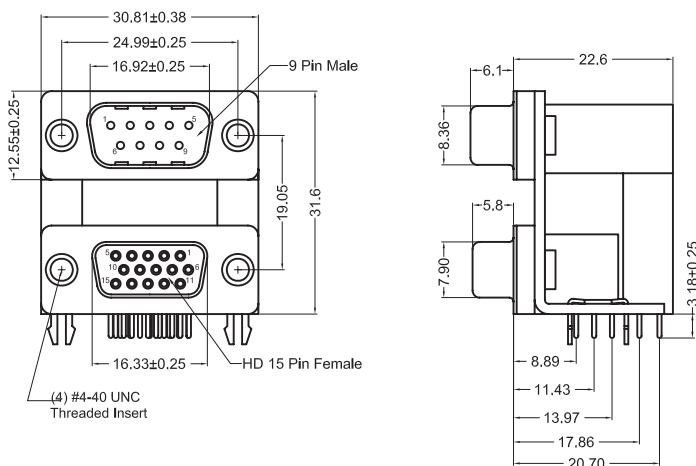




## K42X Series High Density Dual-Port D-Sub Combo

### K42X-E9P/E15S-A4N

Dimensions in mm



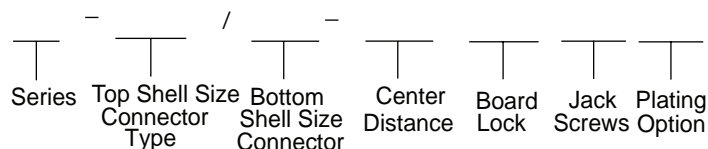
## STACKED D-SUBMINIATURE

### K42X Series

#### Documentation & Ordering Information


Kycon Part #

#### Part Builder



#### Series

K42X - High Density Dual-Port D-Subminiature Connector

#### Top/Bottom Shell Size

B25S/E15S - 25 Contact Receptacle over 15 Contact Receptacle

E9P/E15S - 9 Contact Plug over 15 Contact Receptacle

E9S/E15S - 9 Contact Receptacle over 15 Contact Receptacle

E9P/E15SV - 9 Contact Plug over 15 Contact VESA Receptacle

#### Center to Center Distance

A - .750" (Standard)

#### Board Locks Option

4N - Board Locks (Standard)

#### Jack Screws Option

Blank - No Jack Screws

J - 4-40 HEX Removable Jack Screws

R - 4-40 Round Riveted Jack Screws

#### Plating Option

Blank - Gold Flash

Contact Kycon for Gold Plating and Other Options