

MICRO SWITCH

FREEPORT ILLINOIS, U.S.A
A DIVISION OF HONEYWELL
FED. MFG. CODE 91929

ACTUATOR - SWITCH

CATALOG LISTING

JV-112

JV-112

REPLACES

RELEASE NO. PR-6790

M

DRAWING NUMBER

X 2

ISSUE

3

CHECK

REVISIONS
A CO 46407
SLB
18 AUG 79
BCO4845C
TSM
1 OCT 80

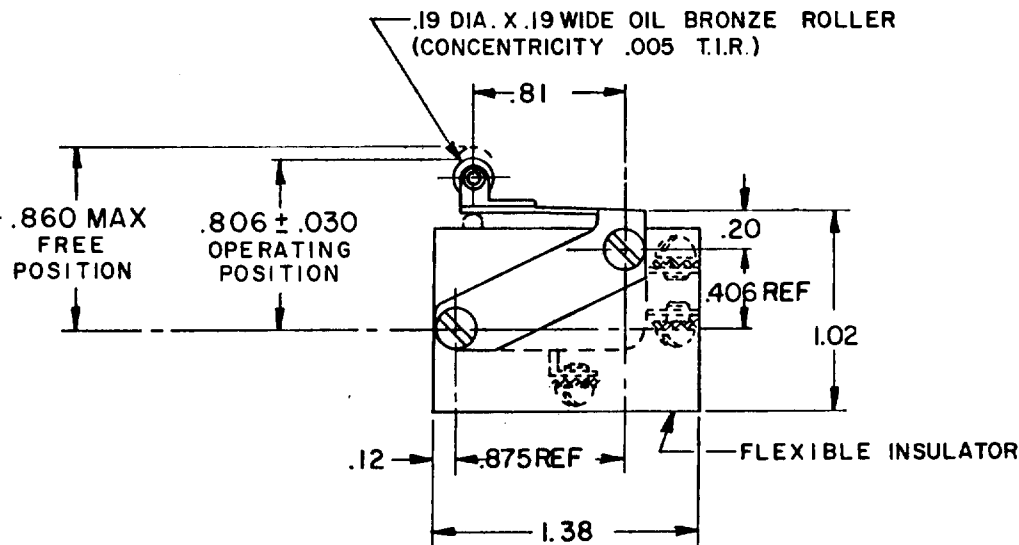
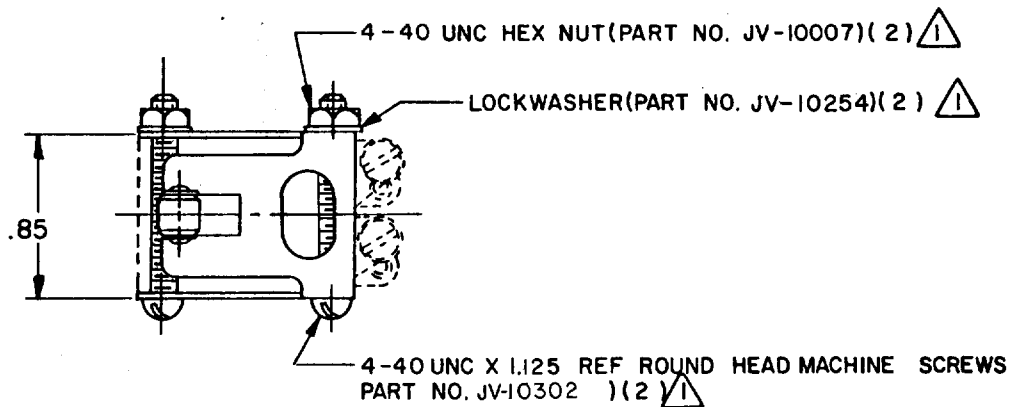
CHECK

25 OCT 77

GLH

CHECK

24 OCT 77

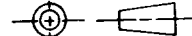


NOTE -

- ⚠ FURNISHED UNASSEMBLED
- 2 - SWITCHES DO NOT NECESSARILY OPERATE SIMULTANEOUSLY

THIS DRAWING COVERS A PROPRIETARY ITEM AND IS THE PROPERTY OF MICRO SWITCH, A DIVISION OF HONEYWELL. THIS DRAWING IS NOT TO BE COPIED OR USED WITHOUT THE APPROVAL OF MICRO SWITCH.

THIRD ANGLE PROJECTION



CHARACTERISTICS WITH (2) V3-1 BASIC SWITCH INSTALLED

OPERATING FORCE — — — 28 OZ MAX
RELEASE FORCE — — — 10 OZ MIN
OVERTRAVEL — — — .035 MIN

ELECTRICAL DATA

CONTACT ARRANGEMENT

SCALE FULL

DO NOT SCALE PRINT

TOLERANCES
APPLY TO DESIGN UNITS. CONVERSIONS ARE ONLY FOR REFERENCE. UNLESS NOTED, TOLERANCES ARE ±

DIM.	TOL.	DIM.	TOL.
mm	mm/in	in	mm/in
NO PLACES	X	17/04	
ONE PLACE	X,X	0.41/018	X X 0.87/03
TWO PLACES	X,X,X	0.157/006	X X X 0.387/015
THREE PLACES	X,X,X,X		X X X X 0.137/005

DESIGN UNITS SI METRIC US CUSTOMARY

WEIGHT

FO-52848-A

DRAWN