

SERIES JS 5208 SWITCHES

NAVIGATION SWITCHES

TACT SWITCHES

NAVIGATION SWITCHES

PUSHBUTTON SWITCHES

TOGGLE SWITCHES

ROCKER SWITCHES

SLIDE SWITCHES

SNAP-ACTION SWITCHES

DIP SWITCHES

KEYLOCK SWITCHES

ROTARY SWITCHES

DETECTOR SWITCHES

CAP OPTIONS



SPECIFICATIONS

Contact Rating:	20mA, 15VDC
Life Expectancy:	100,000 Cycles
Contact Resistance:	100m Ohms Max (initial)
Operating Force:	Tilt-280+/-100 grams Push-500 +/-150 grams
Dielectric Strength:	250VAC
Operating Temp:	-20C to +70C
Travel:	Tilt 8 degrees, Push 1.0 +/-0.2mm's

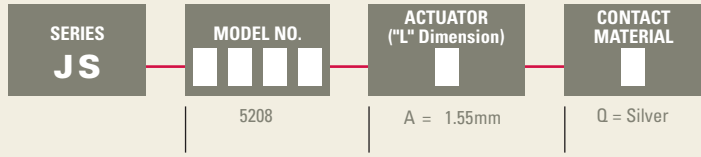
FEATURES & BENEFITS

- ▶ 5-position navigation
- ▶ Designed for SMT applications that require navigation

APPLICATIONS/MARKETS

- ▶ Consumer electronics where user interface is needed
- ▶ Handheld instrumentation
- ▶ Navigation
- ▶ Telecommunication

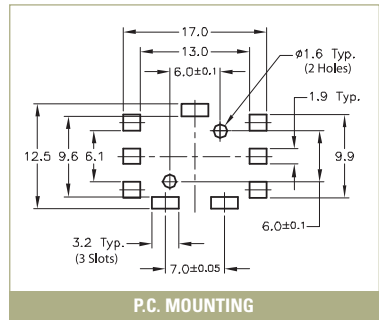
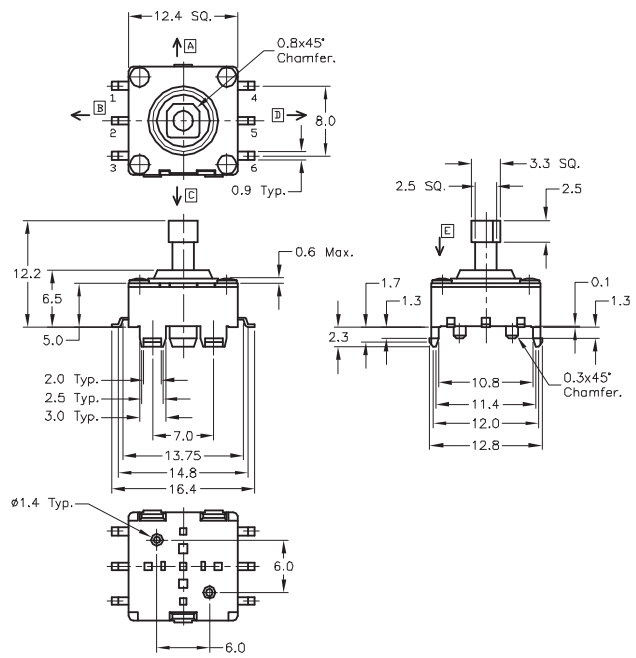
HOW TO ORDER



▶ ▶ ▶ Example Ordering Number
JS-5208-A-Q

Specifications subject to change without notice.

JS 5208



Position	Connected Term. #
A	1 - 4
B	1 - 2
C	1 - 6
D	1 - 5
E (Push)	1 - 3

